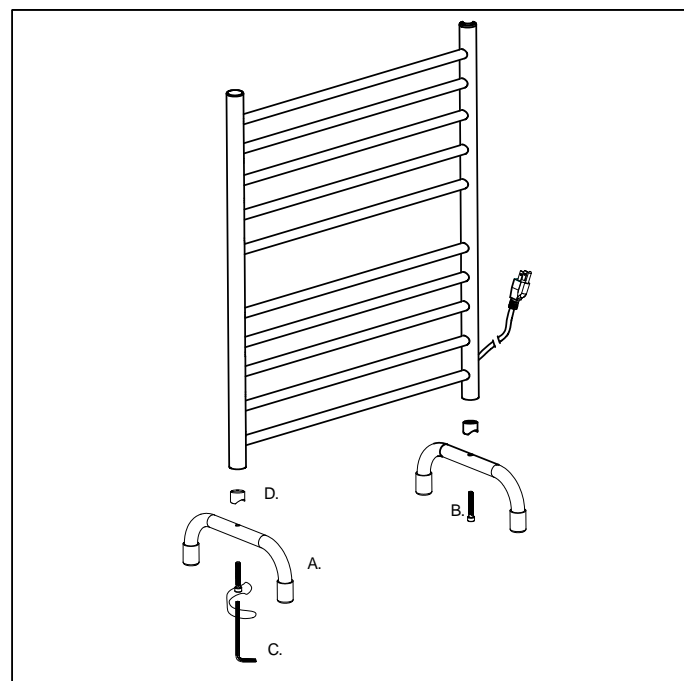
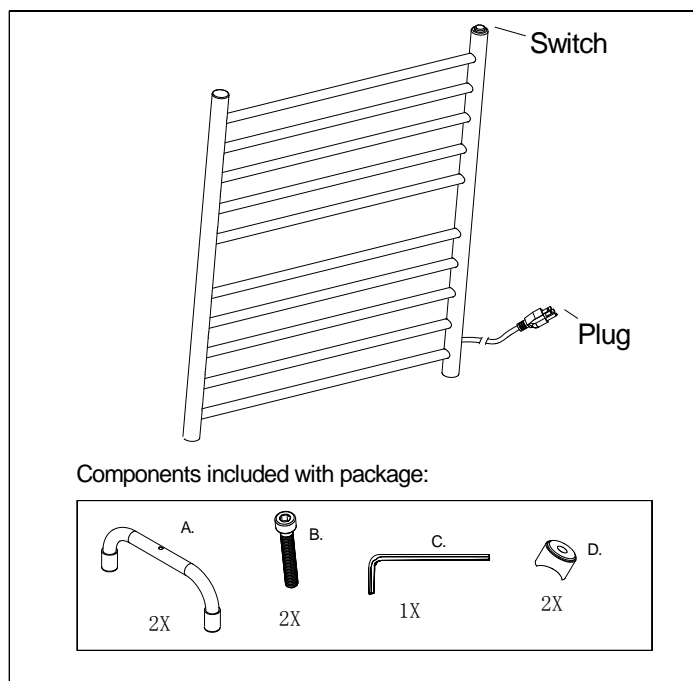


# Amba Solo Freestanding Instructions



## Installation:

- \* Review instructions carefully
- \* Ensure all components are included in box.
- \* With unit unplugged, install legs on frame as shown. Hand tighten only.
- \* Adjust bottom of leg to ensure unit is level.

## Operation:

- \* Connect plug to a properly grounded outlet.
- \* Push the switch to the on position to illuminate light to indicate unit is on.
- \* Unit will reach working temperature in about 5-10 minutes.
- \* Switch the unit off when not in use.

## Caution:

- \* Do not place unit in shower, sauna or where it will be exposed to water.
- \* Product is for drying towels or bathrobes and not for other purposes.
- \* The unit is designed to carry no more than two large towels. Exceeding this limit could result in the discoloration of the towels due to heat build up.
- \* Children should not be allowed to play with unit.
- \* Use cleaners recommended for stainless steel surfaces only.

## Warranty:

Two year limited warranty, with proof of purchase, will apply if all Terms and Conditions of Sale are met and Installation Instructions are adhered to.

## Contact us:

If you have any questions or comments please contact us at:

Email: [info@ambaproducts.com](mailto:info@ambaproducts.com) Tel: 404-3509738 Fax: 404-3550166

Website: [www.ambaproducts.com](http://www.ambaproducts.com)