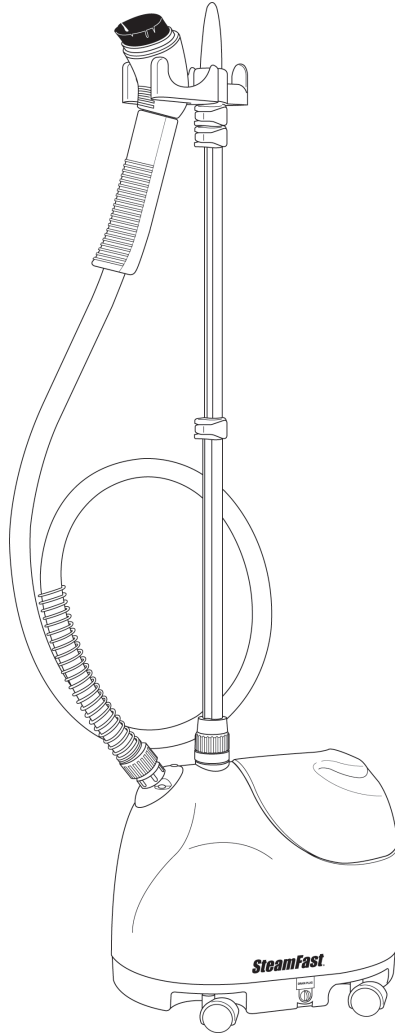


MODEL SF-407

SteamFast[®]

Fabric Steamer



by Top Innovations

Please read all instructions before use.

Mail in your warranty registration card.

KEEP YOUR RECEIPT FOR WARRANTY PURPOSES.

Dear Valued Customer,

Congratulations on purchasing your new **SF-407 Fabric Steamer**. This amazing product safely and effectively smooths wrinkles and reduces odors, saving you time and money over traditional irons or dry cleaners.

Plug it in and turn it on, and in just seconds the **Fabric Steamer** is ready to freshen fabrics and smooth light wrinkles. Ideal for both quick touch-ups and larger jobs, hot steam rapidly penetrates deep into the fibers of materials, making it perfect for use on garments, draperies, upholstery and much more.

Additionally, using steam provides a variety of other unique benefits. It's natural and environmentally friendly, eliminating the need for potentially harmful chemicals. It also helps to neutralize smoke and other unpleasant odors, rather than simply covering them up with artificial scents.

Top Innovations would like to invite you to visit our Customer Support Web site at:

www.SteamFast.com

On this Web site you will find helpful tips on ways in which you can utilize your **Fabric Steamer**, along with other general guidelines to assist you in maximizing the power of steam. You will also find additional information about many other exciting products that are available for your home, automotive and fabric care needs.

Enjoy your new **SF-407 Fabric Steamer**!



Benny Lee
Chairman & CEO
Top Innovations

IMPORTANT SAFETY INSTRUCTIONS



WARNING: To reduce risk of fire, electrical shock or injury, the following basic safety precautions should always be followed when using an electrical appliance.

WARNING: To reduce risk of electrical shock, this appliance has a grounded (three-prong) plug. This plug will fit in a polarized wall outlet only one way. If the plug does not fit fully in the outlet, contact a licensed electrician to install a proper outlet. DO NOT attempt to modify the plug or defeat this safety feature.

READ ALL INSTRUCTIONS BEFORE USE



DANGER

Any appliance is electrically live even when switch is off. To reduce risk of electrical shock:

1. Always unplug power cord immediately after using.
2. Do not place or store unit where it can fall or be pulled into a sink or tub.
3. Do not place in, or drop into water or other liquid.
4. If unit falls into water, immediately unplug power cord. Do not reach into the water.



WARNING

To reduce risk of burns, electrocution, fire, or injury to persons:

1. Use *Fabric Steamer* only for its intended purpose as indicated in this manual.
2. When using an extension cord to operate this unit, use a properly rated cord. Use care to position extension cord where it is least likely to be damaged or tripped over during use.
3. Before plugging power cord into electrical outlet, be sure that all electrical information on rating label agrees with your power supply.
4. To reduce likelihood of circuit overload, DO NOT operate another high wattage appliance on the same circuit as this unit.
5. To protect against risk of electrical shock, do not immerse unit in water or other liquids. Do not use power cord as handle, allow it to hang over edge of counters, or be crimped or closed in doors.
6. Never yank power cord to disconnect from outlet; instead, grasp plug and pull to disconnect.
7. Do not operate unit with a damaged power cord or if the unit has been dropped or damaged. To avoid risk of electrical shock, do not disassemble unit; contact Top Innovations Customer Support for examination and repair. Incorrect reassembly can cause a risk of electrical shock when unit is used.
8. Close supervision is required for any appliance being used near children, pets and plants. Do not leave unit unattended while plugged in.
9. This unit is not intended for use by persons (including children) with reduced physical, sensory or mental capabilities, or lack of experience and knowledge, unless they have been given supervision or instruction concerning use of the unit by a person responsible for their safety.

IMPORTANT SAFETY INSTRUCTIONS

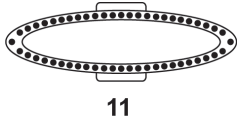
10. If Lighted On/Off Switch does not illuminate when power cord is plugged in and Switch is set to “ON” position, unit is not operating normally. Immediately disconnect cord from power supply, then refer to troubleshooting guide on Page 14 of this manual for assistance.
11. Always turn off unit and unplug power cord when not in use.
12. Do not use unit outdoors or operate where aerosol (spray) products are being used, or where oxygen is being administered.
13. Unit is only meant to be used with recommended SF-407 accessories. Using other types of attachments may cause damage to unit or injury.
14. When filling Water Tank, only distilled or de-mineralized water should be used in unit, in order to minimize potential build-up of mineral deposits. Other cleaning agents could damage unit or cause injury. Do not overfill unit.
15. Do not attempt to use steam without properly filling Water Tank.
16. To reduce risk of contact with hot water emitting from steam vents, check appliance before each use by holding Steam Nozzle away from body. Do not operate unit if steam vents are blocked.
17. Burns can occur from touching hot metal parts, hot water, or steam. Do not turn unit upside-down – it may contain hot water.
18. When pressing/steaming any item for the first time, it is recommended that you consult the manufacturer’s guidelines for material being steamed. For items in question, test on an inconspicuous area before proceeding.
19. Do not allow power cord to touch hot surfaces during use. Wrap cord loosely around unit when storing.
20. Always allow *Fabric Steamer* to cool completely (at least 30 minutes) before storing.

SAVE THESE INSTRUCTIONS!
FOR HOUSEHOLD USE ONLY

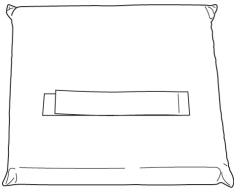
PRODUCT INFORMATION

SteamFast

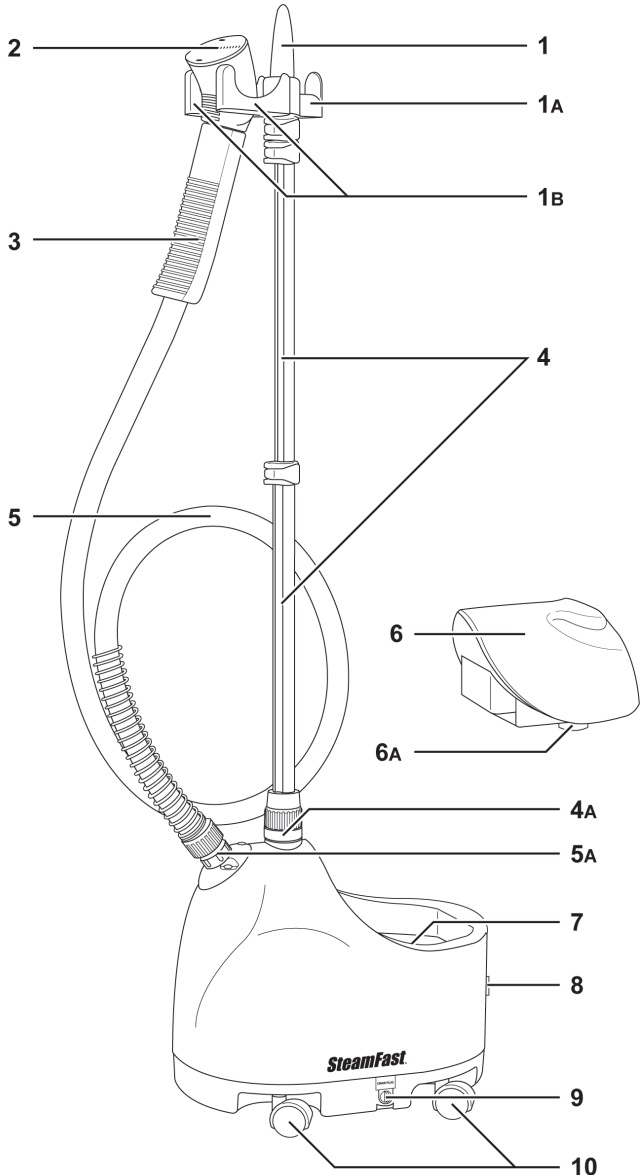
The following features and accessories are included with your *Fabric Steamer*. Carefully inspect the packing material for all parts listed below. To obtain possible missing parts, refer to the **Customer Support** section on Page 14 of this manual.



11



12



UNIT FEATURES & ACCESSORIES

1. Pole Top
- 1A. Clothes Hanger Hook
- 1B. Steam Nozzle Holder
2. Steam Nozzle
3. Handle
4. Telescopic Pole
- 4A. Pole Base
5. Hose
- 5A. Hose Base
6. Water Tank
- 6A. Valve Cap
7. Water Reservoir
8. Lighted On/Off Switch
9. Drain Plug
10. Rolling Casters
11. Fabric Brush
12. Press Pad

- The *Pole Top* (1) connects to the top section of the *Telescopic Pole*.
- The *Clothes Hanger Hook* (1A), which is part of the *Pole Top*, is designed to support garments hung from a clean rust-free hanger.
- The *Steam Nozzle Holder* (1B), which is part of the *Pole Top*, provides a safe and convenient place to hang the *Steam Nozzle* when not in use.
- The *Steam Nozzle* (2) emits the flow of hot, penetrating steam.
- The *Handle* (3) is designed to stay relatively cool while providing an optimum level of safety and user comfort.
- The *Telescopic Pole* (4) connects to the unit at the *Pole Base*. The *Telescopic Pole* is divided into four sections, three of which can be extended and retracted for user comfort and convenient storage. The *Pole Top* connects to the *Telescopic Pole*.
- The *Pole Base* (4A) is the threaded receptor into which the *Telescopic Pole* is inserted.
- The *Hose* (5) directs steam from the unit's internal boiler to the *Steam Nozzle*, while remaining safe and flexible for a wide variety of uses.
- The *Hose Base* (5A) is the threaded receptor onto which the *Hose* is connected.
- The *Water Tank* (6) holds water to be transferred into the *Water Reservoir*, up to a maximum capacity of 40 oz. (1,183 ml.). The *Water Tank* is removable for convenient filling.
- The *Valve Cap* (6A) controls the flow of water between the *Water Tank* and the *Water Reservoir*. The *Valve Cap* must be removed in order to empty or fill the *Water Tank*.
- The *Water Reservoir* (7) is where water is stored before being converted into steam by the internal boiler. Water from the *Water Tank* is transferred as needed into the *Water Reservoir* through the *Valve Cap*.
- The *Lighted On/Off Switch* (8) turns the unit on and off. When set to the "ON" position, it illuminates to provide a clear visual indication that the unit is receiving power.
- The *Drain Plug* (9) may be opened to easily empty any remaining water out of the *Water Reservoir*.
- The *Rolling Casters* (10) allow for exceptional mobility and freedom of movement over a variety of surfaces.
- The *Fabric Brush* (11) connects to the *Steam Nozzle* and is designed to work with steam to remove lint, loose threads and exceptionally stubborn wrinkles.
- The *Press Pad* (12) is designed with a strap that fits over your hand, allowing you to easily support fabrics for steaming edges and creating crisp creases. The *Press Pad* also protects your hand from being burned by hot steam.

TELESCOPIC POLE

The Telescopic Pole is made up of four sections (FIGURE 1):

- TOP (SECTION 1)
- MIDDLE-TOP (SECTION 2)
- MIDDLE-BOTTOM (SECTION 3)
- BOTTOM (SECTION 4)

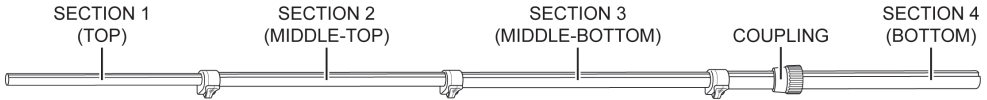


FIGURE 1

SECTIONS 1, 2 & 3 are adjustable in length. By using the three extension locks, these sections may be extended or retracted in order to achieve the desired length. Refer to **Adjusting Telescopic Pole** section below for more details.

NOTE: SECTION 4 (BOTTOM) is the widest section of the Telescopic Pole. This section includes the COUPLING, which secures the Telescopic Pole to the Pole Base.

ADJUSTING TELESCOPIC POLE

In order to adjust the length of SECTIONS 1, 2 & 3 of the Telescopic Pole:

1. Release extension lock directly below SECTION 1 by swinging hinge outward as shown. SECTION 1 above it can then be extended / retracted (FIGURE 2).
2. Once SECTION 1 is at desired length, close hinge to once again secure extension lock.
3. Repeat **STEPS 1 & 2** for SECTIONS 2 & 3 of the Telescopic Pole, using the extension lock directly below each of those sections.

NOTE: It is recommended to extend Telescopic Pole to its full height during steamer operation in order to insure a free flow of steam through the Hose.

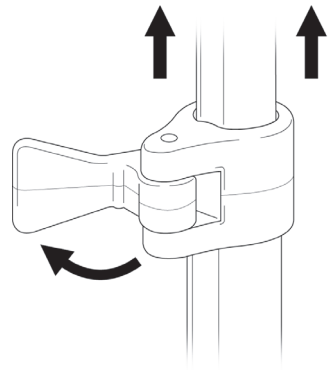


FIGURE 2

CONNECTING TELESCOPIC POLE

1. Locate COUPLING on SECTION 4 of Telescopic Pole. The Telescopic Pole is packed with COUPLING already on SECTION 4 – if the COUPLING has fallen off, simply slide it back on as shown in FIGURE 1.
2. Look down inside Pole Base, and locate two guide ridges (FIGURE 3-A). Align two guide grooves on Telescopic Pole (FIGURE 3-B) with guide ridges inside Pole Base.
3. With guide grooves aligned with guide ridges, insert SECTION 4 of Telescopic Pole into Pole Base (FIGURE 3-C).

NOTE: If you have trouble locating two guide ridges inside Pole Base, insert SECTION 4 of Telescopic Pole into Pole Base, then twist Pole to properly align the guide grooves and guide ridges.

4. Slide COUPLING down over Pole Base, then screw clockwise to secure Telescopic Pole in place (FIGURE 3-D). The Telescopic Pole should now be secured to the Pole Base.

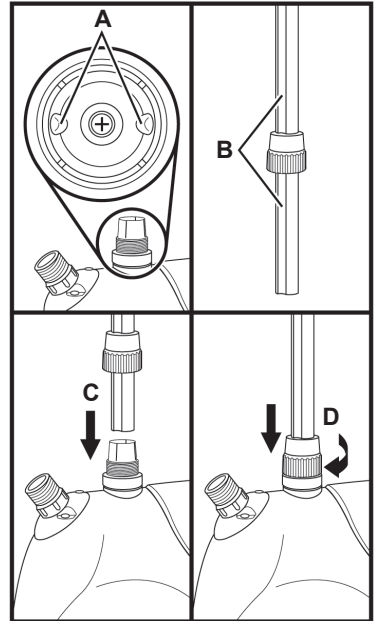


FIGURE 3

CONNECTING POLE TOP

1. Look at underside of Pole Top, and locate two guide ridges (FIGURE 4-A).
2. Align Pole Top guide ridges with guide grooves on SECTION 1 of Telescopic Pole. Be sure to orient Pole Top so that Nozzle Holder faces toward front of unit. This will help to improve unit stability when heavy garments are hung from the Clothes Hanger Hook.
3. Slide Pole Top onto SECTION 1 of Telescopic Pole (FIGURE 4-B). Press down firmly until Pole Top fits securely in place.

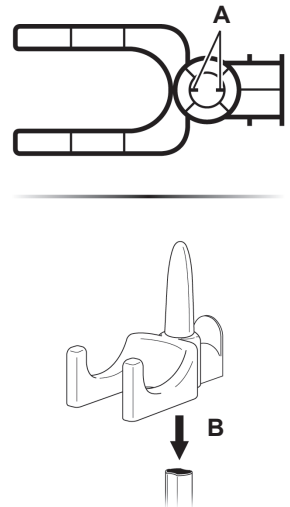


FIGURE 4

ASSEMBLING YOUR FABRIC STEAMER

SteamFast

CONNECTING FABRIC BRUSH

1. Make sure Lighted On/Off Switch is set to “OFF” position, and that unit is not emitting any steam.

CAUTION: Do not try to connect Fabric Brush while unit is emitting steam, as this can cause burns and injury.

2. Align the four pegs on back of Fabric Brush (2 circular and 2 elliptical) with corresponding holes on face of Steam Nozzle.
3. Press Fabric Brush firmly onto Steam Nozzle, until it fits snugly and firmly in place (FIGURE 5).

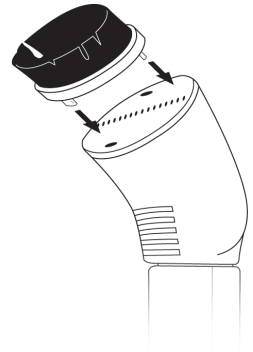


FIGURE 5

CONNECTING HOSE

1. Place end of Hose onto threaded Hose Base (FIGURE 6-A).
2. Rotate coupling in clockwise direction until Hose is tightly secured onto Hose Base (FIGURE 6-B). Hand tighten only. Do not over-tighten.
3. Hang Steam Nozzle on specially designed Steam Nozzle Holder (FIGURE 6-C).

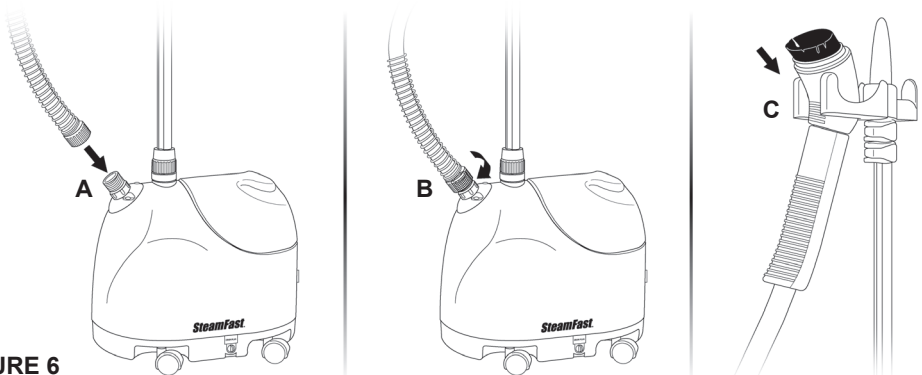


FIGURE 6

CAUTION: To prevent steam from causing bodily injury or damage to surfaces, always hang Steam Nozzle on Steam Nozzle Holder when not in use. Do not lay the Steam Hose on the floor as condensation may occur, causing unwanted water droplets in the steam. Do not pull on the Steam Hose with excessive force as this may damage it, resulting in a steam leak.

Your new SF-407 Fabric Steamer is now fully assembled and ready for use. Please continue reading this manual for instructions on using the Fabric Steamer, as well as directions for proper cleaning, storage and troubleshooting.

FILLING WITH WATER

1. Remove Water Tank from main unit.
2. Holding Water Tank upside-down, unscrew and remove Valve Cap by rotating it in a counter-clockwise direction (FIGURE 7-A).
3. Fill Water Tank with water through Valve Cap hole. Refer to guidelines on left side of Water Tank to fill it with correct amount of water, depending on desired steam time (15, 30, or 45 minutes). Do not exceed 45 MIN (40 oz. / 1,183 ml.) mark.

NOTE: To prolong the life of your *Fabric Steamer*, it is recommended that distilled or de-mineralized water be used in Water Tank.

CAUTION: Only water should be used in unit – other chemicals or cleaning agents may cause internal damage. Do not attempt to substitute another water tank for the one designed for use with this unit.

4. Replace Valve Cap by rotating it in a clockwise direction.
5. Place Water Tank back onto main unit (FIGURE 7-B). The sound of water flowing from Water Tank into Water Reservoir should be audible for a short period of time.

IMPORTANT: Do not attempt to operate unit with an empty Water Tank.

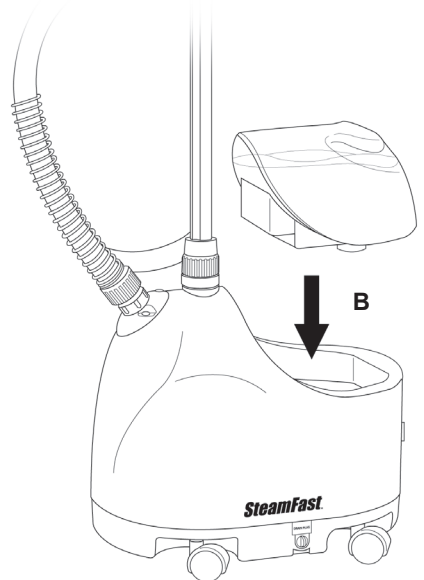
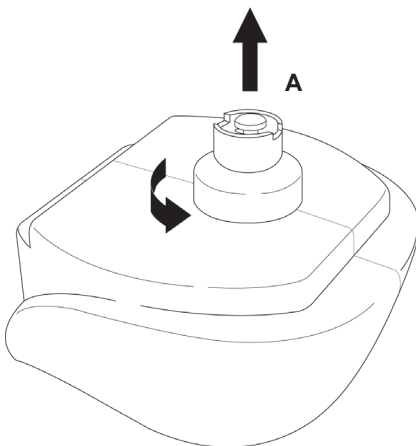


FIGURE 7

OPERATING YOUR FABRIC STEAMER

NOTE: Be sure that Water Tank has been filled and, if desired, the Fabric Brush is connected before following these steps.

1. For first-time use, remove protective plastic cover that is shipped on electrical plug. Plug power cord into a convenient 3-prong electrical outlet (FIGURE 8-A).

CAUTION: This unit uses a grounded (3-prong) electrical plug. Use only in properly installed 3-prong electrical outlets. Do not attempt to alter plug or circumvent this safety feature in any way.

2. Set Lighted On/Off Switch to “ON” position (FIGURE 8-B), and verify that switch is illuminated.
3. After approximately 40 seconds of heating time, unit will begin producing a flow of steam from Steam Nozzle.

NOTE: It is common for the unit to produce gurgling sounds and small amounts of water during the first few minutes of steaming. This is a natural part of the steaming process. Pointing Steam Nozzle towards the ground and shaking it may help to remove excess water from Hose more quickly (FIGURE 8-C).

4. Once steam flow is steady and excess condensation has been removed from Hose, you may proceed with your steaming tasks. Refer to **Tips for Using Your Fabric Steamer** section on Page 12 for more information about steaming garments and other fabrics.

CAUTION: Always be sure that Steam Nozzle is pointed in a safe direction (away from yourself, other people, pets and plants) when steaming.

5. When you are finished using the *Fabric Steamer*, immediately set Lighted On/Off switch to “OFF” position and unplug power cord from electrical outlet. Refer to **Care and Storage Guidelines** on Page 13 for proper cleaning and storage procedures.

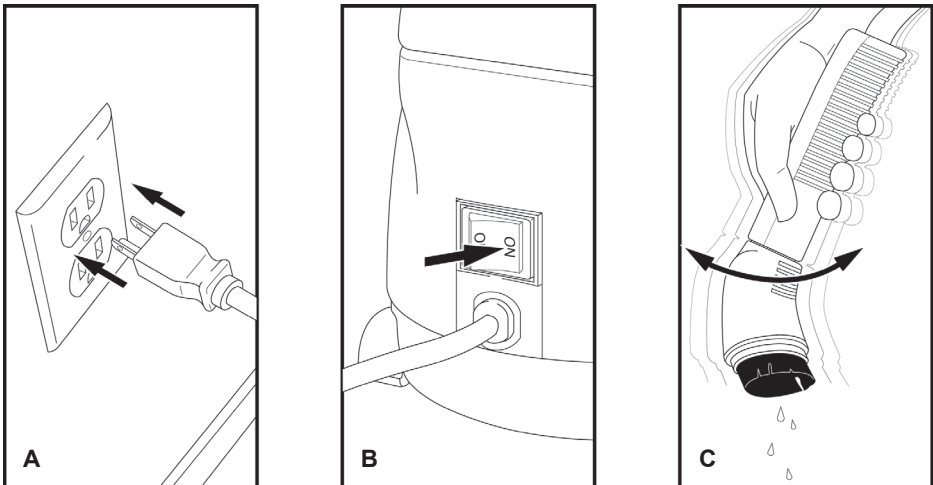


FIGURE 8

TIPS FOR USING YOUR *FABRIC STEAMER*

STEAMING GARMENTS

1. Place garment on a clean, rust-free clothes hanger.
2. Place hanger (with garment) on Clothes Hanger Hook (FIGURE 9-A).

CAUTION: Use care when handling garments on the Clothes Hanger Hook. Pulling on the garment with too much force may cause the unit to tip over.

3. Direct Steam Nozzle towards bottom of garment. Steam will rise along inside and outside of fabric, removing wrinkles. Slowly slide Steam Nozzle vertically, from bottom to top of garment (FIGURE 9-B).

NOTE: Do not allow kinks to form in hose at any time during use.

4. Direct Steam Nozzle away from garment and smooth fabric with your free hand.
5. Repeat STEPS 3 & 4 as necessary until fabric is smooth and wrinkle-free.

GENERAL STEAMING TIPS

- For best steaming results, press Steam Nozzle directly against fabric, or hold within 1/2" of surface.
- Curtains and draperies may be steamed while still hanging.
- To remove wrinkles from towels, handkerchiefs and napkins, drape them over a rod or towel rack and gently steam them.
- Heavier fabrics may require repeated steaming to effectively remove wrinkles.
- To remove exceptionally stubborn wrinkles steam both sides of fabric.
- For additional assistance in removing tough wrinkles, or to remove lint and other particles, connect Fabric Brush to Steam Nozzle (refer to **Connecting Fabric Brush** section on Page 9).
- The Press Pad is ideal for steaming difficult spots and edges and to create creases in fabric. Slide your hand through the velcro strap on back of Press Pad to secure it to your hand. This will protect your hand from the flow of hot steam. Then steam fabric while pressing it firmly but gently against the Press Pad.

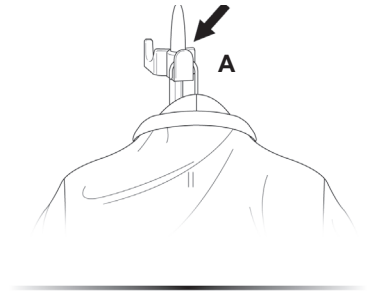


FIGURE 9

PROPER STORAGE

Preparing your *Fabric Steamer* for storage is quick and simple. When you have finished your steaming tasks, follow the steps listed below.

1. Set Lighted On/Off Switch to “OFF” position, and unplug power cord from electrical outlet.
2. Allow unit to cool completely (at least 30 minutes is recommended).
3. Remove Water Tank from unit. Unscrew Valve Cap and drain remaining water into sink or tub. Replace Valve Cap when finished.

NOTE: It is not necessary to empty Water Tank after each use if you do not wish. However, it is recommended that it be drained for storage and filled with fresh distilled water for each use.

4. Remove Drain Plug and drain any remaining water in Water Reservoir into a sink or tub to prevent overflowing during your next use. Flush out Water Reservoir with fresh water to minimize potential mineral build-up in Water Reservoir. Replace empty Water Tank.
5. For storage convenience, you may wish to collapse Telescopic Pole to its most compact height (refer to Page 7 for details).
6. Wrap power cord loosely around unit, and store *Fabric Steamer* in a cool dry location.

MINERAL BUILD-UP

A common maintenance need for steam appliances is the removal of build-up caused by high mineral content in many municipal water supplies. This mineral build-up may limit the effectiveness and reduce the life of your *Fabric Steamer*.

The best way to minimize mineral build-up is to use distilled or de-mineralized water when using your *Fabric Steamer*. In addition, it is recommended that the unit be cleaned regularly using the procedure below. This will help to extend the life of your *Fabric Steamer*, and keep it functioning at its maximum potential.

NOTE: It is recommended that the following procedure be followed once every 3-4 uses.

1. Set Lighted On/Off Switch to “OFF” position, and unplug power cord from electrical outlet.
2. Allow unit to cool completely (at least 30 minutes is recommended).
3. Remove Water Tank from unit. Unscrew Valve Cap and drain remaining water into sink or tub.
4. Remove Drain Plug and drain any remaining water in Water Reservoir into a sink or tub.
5. Using measuring cup (not included), make a mixture of 6 oz. (177 ml.) vinegar and 6 oz. (177 ml.) distilled water.
6. Slowly pour water-vinegar solution into Water Tank, then replace Valve Cap and place Water Tank back onto unit.
7. Set Lighted On/Off Switch to “ON” position. Allow unit to heat up and steam out all of the water-vinegar solution.
8. Once emptied, set Lighted On/Off Switch back to “OFF” position. Remove Water Tank and refill with approximately 12 oz. (355 ml.) fresh distilled water, then replace Water Tank.
9. Set Lighted On/Off Switch to “ON” position. Allow unit to heat up and steam out all of the fresh distilled water. Once emptied, set Lighted On/Off Switch back to “OFF” position.
10. Repeat STEPS 8 & 9 as necessary until vinegar odor completely dissipates. Once finished, follow normal storage guidelines outlined above.

PROBLEM	POSSIBLE CAUSE	SOLUTION
Unit fails to steam. Lighted On/Off Switch DOES NOT illuminate when set to "ON" position.	Unit is not plugged in.	Plug power cord into electrical outlet.
	Household circuit breaker / ground fault interrupter has tripped or blown a fuse.	Reset circuit breaker / ground fault interrupter, or replace fuse. If you need assistance, contact a licensed electrician.
	Unit is damaged or otherwise in need of repair.	Immediately cease usage and unplug. Contact Customer Support for further assistance (see below).
Unit fails to steam. Lighted On/Off Switch DOES illuminate when set to "ON" position.	No water in unit.	Refer to Filling With Water procedure on Page 10.
	Mineral build-up in unit.	Refer to Mineral Build-Up procedure on Page 13.
	Unit is damaged or otherwise in need of repair.	Immediately cease usage and unplug. Contact Customer Support for further assistance (see below).
Excessive gurgling in Hose and Steam Nozzle / water drips from Steam Nozzle.	Condensation build-up inside Hose.	Some gurgling is a natural effect of the steaming process. For excessive gurgling or dripping water, point Steam Nozzle towards ground shake thoroughly to remove excess water droplets.
Steam output is weak or intermittent.	Mineral build-up in unit.	Refer to Mineral Build-Up procedure on Page 13.

CUSTOMER SUPPORT

For problems with your *Fabric Steamer*, please refer to the troubleshooting guide located above. Additional inquiries should be directed to our customer support services through our Web site, www.SteamFast.com, on the *Contact Us* Web page.

If you do not have internet access, you may also contact our Customer Service Department by telephone, at (800) 711-6617 or (816) 584-9700, ext. 130 or 131.

NOTE: In order for our Customer Service representatives to help you as quickly and efficiently as possible, please have the following information ready before calling:

- Purchase information (where and when you purchased this product)
- Copy of purchase receipt / proof of purchase
- Product serial number

WARRANTY INFORMATION

SteamFast

Before returning any product for any reason, you **MUST** call or e-mail Top Innovations Warranty Service at (800) 711-6617 or customerservice@topinnovations.com to obtain a Return Authorization Number.

30-DAY MONEY BACK POLICY

If any item purchased directly from Top Innovations does not meet your expectations, it may be returned within 30 days of the date of purchase for either a replacement or full refund of the purchase price less any shipping charges. In some circumstances, an additional restocking fee will apply.

ONE YEAR LIMITED WARRANTY

(If outside USA, additional shipping charges may apply)

Top Innovations warrants this product to be free from defects in material and workmanship for a period of one (1) year from the date of purchase. This warranty does not cover damage caused by misuse, negligence, use by improper current or voltage, commercial use, use contrary to operating instructions or disassembly, repair or alteration by any person other than Top Innovations Warranty Service Department.

Top Innovations will repair or replace at its option. This warranty gives you specific legal rights and may have other rights, which may vary from state to state.

Should there be any missing or defective parts or accessories, please contact Customer Support. In most cases, it is not necessary to return the entire unit. We can ship most replacement parts directly to your home.

Upon expiration of your one (1) year limited warranty, you will be advised of the cost of repair before any servicing is done. For non-warranty service, please enclose a check for the amount required. Or, you may pay by money order, Visa, MasterCard, AmEx or Discover credit card. **You must have a Return Authorization Number before returning unit.**

If you need to request warranty service, or have any questions about coverage under this warranty, please visit the Warranty Service Request page on our Web site, www.SteamFast.com. You may also e-mail customerservice@topinnovations.com, or phone (800) 711-6617 or (816) 584-9700, ext 130 or 131.

Please have your product serial number ready before contacting Warranty Service Department. The serial number is located on the back or bottom of your unit.

Performance of any obligation of this Warranty, or 30-Day Money Back Policy, may be obtained by:

1. Call (800) 711-6617 or e-mail customerservice@topinnovations.com for a Return Authorization Number before returning your unit. Failure to obtain a Return Authorization Number will cause a delay in service.
2. Include a copy of purchase receipt.
3. Box the item securely, in its original packaging if available. Include original packing materials and accessories unless advised otherwise by a Customer Service agent.
4. Include your name, address, telephone number, and Return Authorization Number on outside of return package.

Send unit postage/freight-prepaid (Top Innovations does not accept "collect" or COD returns) to:

**Top Innovations
Warranty Service Department
6655 Troost Ave.
Kansas City, MO 64131**

Call Top Innovations, Customer Service at (800) 711-6617 or (816) 584-9700 if you have any questions about the procedures described above.

SteamFast[®]

Top Innovations

6655 Troost Ave. • Kansas City, MO 64131

TEL: (800) 711-6617 / (816) 584-9700

FAX: (816) 584-9066

www.SteamFast.com

customerservice@topinnovations.com



PRINTED IN CHINA

PRODUCT SERIAL NUMBER

For your convenience, space has been provided below for you to record the serial number of your unit (located on the back or bottom of the unit) for easy reference when contacting our Customer Service Department.
