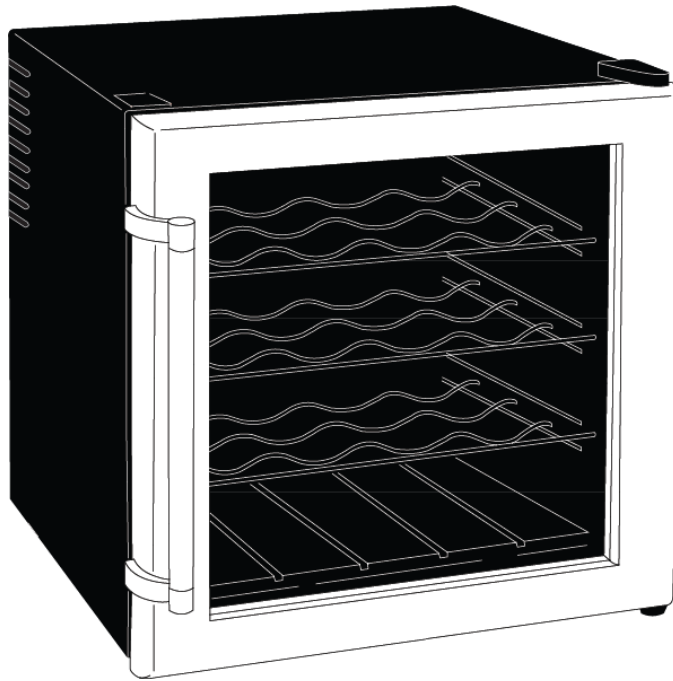




Thermoelectric Wine Cooler



TWR160S

Owner's Manual

For more information on other great Koldfront by EdgeStar products on the web, go to <http://www.edgestar.com>

Important Safety Information

Improper handling can cause serious damage to the EdgeStar wine cooler and/or injury to the user. This wine cooler is designed for domestic indoor use only. **Do not use the unit for industrial or commercial use.** Any other use may invalidate the warranty. Please review the ratings label located on the rear panel of the unit for electrical and other technical data related to this unit. The unit must be used in a properly grounded wall outlet.

Please read and follow the safety information listed below to reduce the risk of fire, electric shock or injury.



Electrical Safety

- Do not exceed the power outlet ratings.
- It is recommended the wine cooler be connected on its own circuit.
- The unit must be installed in accordance with state and local electrical codes.
- A standard electrical supply (115 V, 60Hz), that is properly grounded in accordance with the National Electrical Code and local codes and ordinances is required.
- Use outlets that cannot be turned off by a switch or pull chain.
- Always turn the unit off and unplug it from the outlet when cleaning.
- Unplug the unit if it is not going to be used for an extended period of time.
- Do not operate the unit with a power plug missing the ground plug, a damaged cord or a loose socket.
- Be sure the wine cooler is properly grounded.
- Never plug or unplug the unit with wet hands.
- Do not bypass, cut or remove the grounding plug.
- Do not use extension cords or unprotected power strips with this unit. You may need to contact your electrician if it is necessary to use a longer cord or if you do not have a grounded outlet. Do not modify the power cord's length or share the outlet with other appliances.
- Do not start or stop the unit by switching the circuit's power on and off.
- If the power cord is damaged, it must be replaced by the manufacturer or a qualified technician.
- Never repair the unit while it is plugged in.
- Immediately unplug the unit if it makes strange sounds, emits smells or smoke comes out of it, and contact customer service.
- Do not remove any part of the casing unless instructed by an authorized technician.
- You should never attempt to repair the unit yourself.
- Contact customer service for service options if the unit needs service.



General Safety

- To prevent back and other types of injuries, use at least two people to move and install the wine cooler.
- This unit is not intended for use by persons, including children, with reduced physical, sensory or mental capabilities, unless they have been given supervision or instruction concerning the use of the appliance by the person(s) responsible for their safety.
- The temperature range for this cooler is optimized for wine storage. Perishable food items may require a different storage environment.
- Do not place hot or warm items into the cooler before they cool down to room temperature.
- This unit is designed to be installed indoors, and protected from rain, sleet, snow, and/or moisture.
- This unit is not intended to be used by children.
- Children should be supervised to ensure that they do not play with this product.
- Never allow children to crawl inside the wine cooler. If disposing the unit, remove the door.
- Do not use this cooler near flammable gas or combustibles, such as gasoline, benzene, thinner, etc.
- Do not place the unit near heat sources such as ovens, grills, or direct sunlight.
- Only use in an upright position on a flat, level surface and provide proper ventilation.
- Do not pinch or kink the power supply line.
- Do not leave any cleaning solutions in the unit
- Do not use solvent-based cleaning agents or abrasive solutions to clean the unit as they may damage the interior and exterior.
- Do not place any other appliances or allow anyone to sit on top of the unit.
- Do not operate the unit upside down, on its side, or at an angle off level.
- Do not move the unit without emptying the contents and securing the door in a closed position.

Table of Contents

IMPORTANT SAFETY INFORMATION	I
INTRODUCTION	1
PARTS IDENTIFICATION	2
EXTERIOR VIEW	2
INTERIOR VIEW- (WITHOUT DOOR)	2
INSTALLING THE WINE COOLER	3
UNPACKING THE WINE COOLER.....	3
TYPE OF INSTALLATION.....	3
<i>Free-standing installation:</i>	3
INSTALLATION CLEARANCE REQUIREMENTS	3
ELECTRICAL REQUIREMENTS	4
<i>Recommended grounding method</i>	4
LEVELING THE WINE COOLER.....	4
OPERATION	5
INSTALLATION CHECK LIST BEFORE OPERATION.....	5
ADJUSTING THE TEMPERATURE	5
NORMAL SOUNDS	6
DEFROSTING	6
PREPARING THE WINE COOLER FOR STORAGE	6
CLEANING AND MAINTENANCE	7
EXTERIOR CLEANING	7
INTERIOR CLEANING	7
WATER PAN AND CONDENSATION.....	7
MAINTENANCE.....	8
TROUBLESHOOTING	9
SPECIFICATIONS	10
EDGE STAR LIMITED WARRANTY	11

First Time Operating Instructions

Before use, make sure all packaging labels and materials are all removed from the unit. Be sure to keep track of all included parts and pieces before discarding packaging materials. It is advised that you keep the original box and packaging materials in case you are ever to move or ship the appliance in the future.

Let the unit run for at least 24 hours before you use it. The instruction manual should be read before using the wine cooler.

This owner's manual is provided for reference use only. Specifications may change without prior notice. Refer to the product label on the back of your wine cooler for the latest technical information.

Introduction

Thank you for purchasing this EdgeStar wine cooler. We are glad you chose us. We believe that your purchase of this product opens a relationship between you and EdgeStar. We will provide the customer support needed to nurture that relationship.

This manual contains important information regarding the proper installation, use and maintenance of your wine cooler. Following this manual will ensure that your product will work at its peak performance and efficiency.

Please save the original product packaging in case you need to safely transport your wine cooler.

For Your Records:

Please write down the model number and serial number below for future reference. Both numbers are located on the ratings label on the back of your unit and are needed to obtain warranty service. You may also want to staple your receipt to this manual as it is the proof of your purchase, and is also needed for service under your warranty.

Model Number: _____

Serial Number: _____

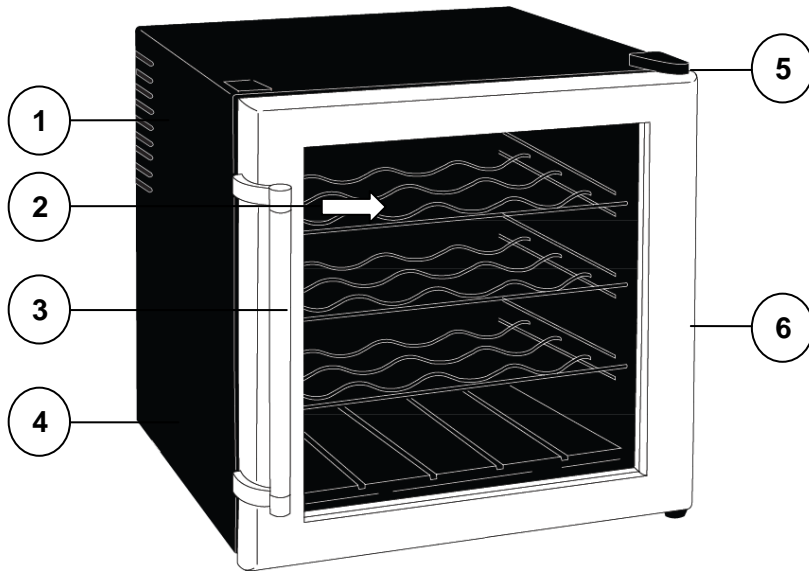
Date of Purchase: _____

To better serve you, please do the following before contacting customer service:

- If you received a damaged product, immediately contact the retailer or dealer that sold you the product.
- Read and follow this instruction manual carefully to help you install, use and maintain your wine cooler.
- Read the troubleshooting section of this manual as it will help you diagnose and solve common issues.
- Visit us on the web at <http://www.edgestar.com> to register your product, download product guides, additional troubleshooting resources and up-to-date information.
- If you need warranty service, our friendly customer service representatives are available via email at service@edgestar.com or by telephone at **1 (866) 319-5473**.

Parts Identification

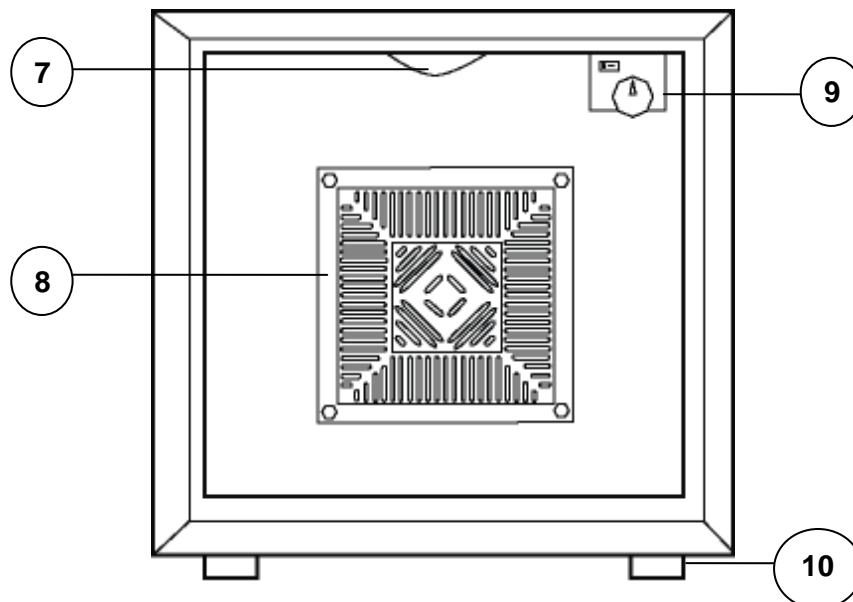
Exterior View



PART KEY

- 1- Air Vent (vents are located on each side and in rear of unit)
- 2- Chrome Shelves
- 3- Handle
- 4- Cabinet
- 5- Upper Hinge
- 6- Door
- 7- Interior Light
- 8- Interior Fan
- 9- Control Box (Light Switch and Temperature Dial)
- 10- Leveling Foot

Interior View- (Without Door)



TIP:
Gather the model and serial number from the product label and write them down before loading the wine cooler.

Installing the Wine Cooler

The wine cooler should be installed in accordance with local electrical code requirements. The wine cooler should also be placed in a location that is strong enough to support its total weight, keeping in mind that it will weigh substantially more when fully loaded than when empty.

Before you plug the wine cooler into a power supply, be sure to let it stand upright for at least 24 hours to allow the temperature to acclimate.

Unpacking the Wine Cooler



Carefully remove the packaging materials. Remove any shipping tape and glue from your wine cooler before using. Do not use sharp instruments, rubbing alcohol, flammable fluids, or abrasive cleaners to remove tape or glue. These products can damage the surface of your wine cooler.

IMPORTANT: Do not remove any safety, warning, or product information labels from your wine cooler.

Type of Installation

This wine cooler has been designed for free-standing installation only. There must be adequate ventilation space around the top, back and sides of the unit.

Important Notes:

- Choose a location that has an ambient temperature of 78F. Operation outside this temperature may result in lowered efficiency or cause other adverse effects.
- This unit **MUST** be installed indoors in an area protected from the elements, e.g., wind, rain, water spray or drips.
- The wine cooler should not be located next to ovens, grills or other high heat sources.

Free-standing installation:

A free-standing installation will allow you to install the wine cooler in almost any place you desire. You must follow the stated instructions for electrical requirements, installation clearance, and leveling the wine cooler.

WARNING: Do NOT install the wine cooler built-in or behind a closed cabinet door.

Installation Clearance Requirements

- To ensure proper ventilation, allow at least 5" clearance at the back, 4" at top and 4" at sides.
- The wine cooler should be installed on a firm and level surface that will be able to support the entire weight of a fully loaded unit. It is important for the wine cooler to be level in order to work properly. If needed, you can adjust the height of the wine cooler by rotating the feet. See the "Leveling the Wine cooler" section.
- A standard electrical supply (115 VAC only, 60 Hz), properly grounded in accordance with National Electrical Code and local codes and ordinances is required.

Electrical Requirements



Tip:

Use a surge protector to protect your wine cooler from electrical surges.

ELECTRIC SHOCK HAZARD!

- **Plug into a grounded 3-prong outlet.**
- **Never remove the grounding prong from the plug.**
- **Never use an adapter to bypass the grounding prong.**
- **DO NOT use an extension cord.**
- **Failure to follow these instructions can result in fire, electrical shock, or death.**

Before you move your wine cooler into its final location, it is important to make sure you have the proper electrical connection:

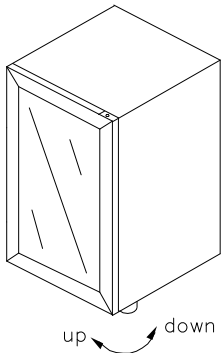
A standard electrical supply (115 V, 60Hz), properly grounded in accordance with the National Electrical Code and local codes and ordinances, is required.

The fuse (or circuit breaker) size should be 3 Amps.

Recommended grounding method

For your personal safety, this appliance must be grounded. It is equipped with a power supply cord having a 3-prong grounding plug. To minimize possible shock hazard, the cord must be plugged into a mating 3-pronged wall socket, and grounded in accordance with the National Electrical Code and local codes and ordinances. If a mating wall socket is not available, it is the personal responsibility of the customer to have a properly grounded, 3-prong wall receptacle installed by a qualified electrician.

Leveling the Wine Cooler



NOTE:

You must adjust the feet to level the wine cooler.

It is important for the wine cooler to be leveled in order to work properly. It can be raised or lowered by rotating the plastic sheaths around each of the feet on the bottom of the machine. If you find that the surface is not level, rotate the feet until the wine cooler becomes level. You may need to make several adjustments to level it. We recommend using a carpenter's level to check the machine.

1. Place a carpenter's level on top of the product to see if the wine cooler is level from front to back and side to side.
2. Adjust the height of the feet as follows:
Turn the leveling feet to the right to lower that side of the refrigerator.

Turn the leveling feet to the left to raise that side of the refrigerator.

OPERATION

Installation Check List before Operation

1. Have all packing materials and tape been removed from the interior and exterior of the wine cooler?
2. Have the installation instructions been followed, including connecting the machine to electricity? And has proper grounding been installed for the wine cooler?
3. Has the machine been leveled?
4. Is the wine cooler in a location where the ambient temperature is around 78° F all year round?
5. Is there a clearance of at least 4" at the rear, 3" at the top and 3" at the sides for proper air circulation?

Notes:

Allow at least 24 hours before storing your wines and to allow the temperature to acclimate.

Radio devices may interfere with the touch sensitive controls and cause the temperature settings to change. Move radio devices away from the wine cooler.

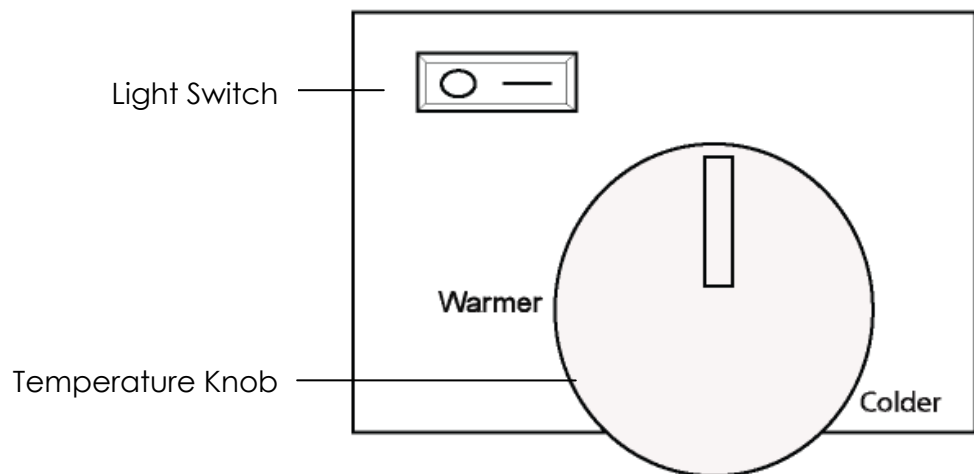
Adjusting the Temperature

Internal Control Box

You may adjust the temperature of the wine cooler using the temperature control knob inside of the unit. Turn and adjust the knob until you reach your desired temperature. The wine cooler has a range of 52°F to 64°F. Whether your wine cooler can reach the actual set temperature depends on the ambient environmental conditions.

Turn temperature knob to your left for warmer and to your right for cooler.

Click on the light switch to turn on or off.



Normal Sounds

Your new wine cooler may make sounds that are not familiar to you. Most of the new sounds are normal. Hard surfaces like the floor, walls can make the sounds seem louder than they actually are. The following describes the kinds of sounds that might be new to you and what may be making them.

- Humming noises may come from the inner and outer fans that are continuously running.
- A low-pitched fan noise from the inner and outer fans is normal.

Defrosting

This wine cooler does NOT have an automatic defrost feature. Therefore, in a colder environment and settings, frost may build up frequently. Additionally, the more humid the ambient conditions, the more frost may build up. Keep the door closed as much as possible and avoid opening the door unnecessarily to minimize frost build-up.

If frost is preventing the door from closing properly, you may need to power the unit off until the frost melts. Use a soft absorbent towel to dry the unit.

The unit has a built-in water pan that collects the condensate. The water pan is not removable.

WARNING: Never attempt to remove frost with a sharp object!



IMPORTANT:

- Do not touch the power plug when your hands are wet.
- Never unplug the unit by pulling on the plug.

Preparing the Wine Cooler for Storage

If the wine cooler will not be used for a long time, or is to be moved to another place, it will be necessary to defrost the unit and dry the interior.

1. Disconnect the cooler from the power supply by removing the power plug from the wall socket.
2. Leave the door open to allow for air circulation and to prevent mold, mildew and unpleasant smells.

CAUTION: Store the unit out of the reach of children. If you have children, you may want to take additional precautions such as removing the door to prevent a child from being trapped inside the cooler!

CLEANING AND MAINTENANCE

Periodic cleaning and proper maintenance will ensure efficiency, top performance, and long life.

Exterior Cleaning

The door and cabinet may be cleaned with a mild detergent and lukewarm water solution such as 2 tablespoons of baking soda to 1 quart of water.

Do not use solvent based or abrasive cleaners. Use a soft sponge and rinse with clean water. Wipe with a soft clean towel to prevent water spotting. If the door panel is stainless steel, it can discolor when exposed to chlorine gas and moisture. Clean stainless steel with a cloth dampened with a mild detergent and warm water solution. Never use an abrasive or caustic cleaning agent.

Interior Cleaning

The wine cooler interior should be cleaned occasionally.

1. Disconnect power to the unit.
2. Open the door and remove the contents and shelves.
3. Wait until the unit defrosts.
4. With a clean cloth, wipe down the interior of the unit.
5. Reinsert the shelves and wines.
6. Reconnect power to the unit.

Water Pan and Condensation

Occasionally, the water pan may collect water in high humidity environments. If the pan appears to be getting full, the do the following:

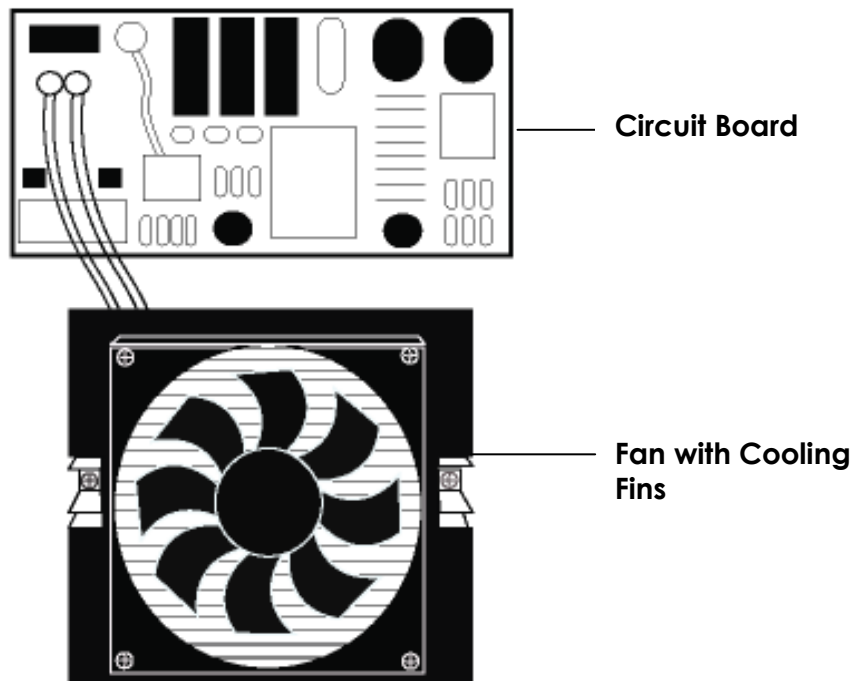
1. Disconnect power to the unit.
2. Use a soft absorbent towel to wipe the water pan's water.
3. Reconnect power to the unit.

Maintenance

It is important to clean the internal components located to the back of this unit about every six months.

1. Disconnect power to the unit.
2. Remove all screws from the external back panel of your unit and remove cover.
3. Use a soft brush vacuum attachment to gently clean the fan including the cooling fins and the circuit board as pictured below:

(Rear of unit with cover removed)



4. Reinstall the rear cover.
5. Reconnect power to this unit.

NOTE: It is recommended to always run your unit through a surge protector. A surge protector will not only protect your unit from power surges but also help to lengthen the life of your wine cooler.

TROUBLESHOOTING

Before Calling for Help

If the unit appears to be malfunctioning, read through the OPERATION section of this manual first. If the problem persists, check the Troubleshooting Guide below. The problem could be something that can easily be solved or explained.

Symptoms	Possible causes	Solutions
The wine cooler turns on and off frequently, or does not maintain the temperature.	The room temperature is higher than the recommended ambient temperature (78°F or cooler).	Run the cooler at the appropriate ambient temperature.
	The door is being opened often.	Minimize the number of times the door is opened.
	The door is not completely closed.	Make sure the door is completely closed.
	The door gasket is not sealing properly.	Make sure the door gasket is properly sealing.
	The cooler does not have the suggested ventilation.	Read and follow the "Installation Clearance Requirements" section.
The wine cooler does not turn on.	There is a power failure.	Ensure the cooler is plugged in and the power outlet has power.
	The cooler is not plugged in.	Plug the unit in to a power outlet that has sufficient amperage.
	A house fuse has blown or the circuit breaker is tripped.	Replace the broken fuse in your fuse box or reset the breaker.
The wine cooler will not reach the desired temperature	The cooler is placed too close to a heat source.	Keep the cooler away from direct sun light or other heat sources.
	The cooler does not have sufficient ventilation.	Read and follow the "Installation Clearance Requirements" section.
	The door is opened too frequently or for a long period of time.	Close the door tightly and do not open the door too frequently or for a long period of time.
The wine cooler is making strange noises	Certain sounds are normal.	Read the "Normal Sounds" section.
	The unit is not level or is touching another appliance.	Check to make sure that the cooler is level, and that it is not in contact with another appliance or furniture.
The body of the wine cooler is electrified.	The unit is not grounded properly.	Contact your local electrician to test your electrical grounding system.
Frost is forming in the wine cooler.	The environment is humid or the ambient temperature is too low.	Manual defrosting is required; unplug the unit to allow the frost to melt. If frost builds up frequently, you can move the unit to a location with a warmer temperature, minimize the number of times you open the door, or check the door gasket for a good seal.
	The door gasket is not installed properly.	
	The door is being opened too frequently.	
The door will not shut properly.	Your cooler is not level.	Make sure the cooler is on a level surface.
	The door gasket is dirty.	Clean the door gasket.
	The door gasket is not installed correctly.	Make sure the door gasket is properly installed.
	The shelves are incorrectly installed.	Correctly install the shelves.

Specifications

Description of product	Thermoelectric Wine cooler
Model	TWR160S
Voltage/Frequency	AC 115V~60Hz
Amperage	.95 Amps
Input Power	70 Watts
Color	Black
Storage Capacity	16 Bottles*
Maximum Operating Temperature	78°F
External Dimensions (Height x Width x Depth)	21 1/16" x 18 7/8" x 20 7/8"
Internal Dimensions (Height x Width x Depth)	20 1/16" x 16 15/16" x 18 7/8"
Weight	29.5 lbs

Note: Technical data and performance information is provided for reference only.

Specifications are subject to change. Check the rating label on the wine cooler for the most accurate information.

***Note on wine storage capacity:**

The wine cooler can store 16 standard 750mL wine bottles. Capacity may vary with other sized bottles.

EdgeStar Limited Warranty

One (1) Year Parts & Ninety (90) Days Labor

This product is warranted by EdgeStar to be free from defective workmanship and materials, subject to any conditions set forth as follows:

WHAT IS COVERED:

LABOR: For a period of NINETY (90) DAYS from the date of original purchase, labor will be performed free of charge at an authorized EdgeStar repair facility. At its option, EdgeStar will repair the product with new or remanufactured parts, or exchange the defective product with a new, refurbished, or remanufactured product. If a product is replaced, it will carry the remaining warranty of the original product. After the ninety (90) day period, EdgeStar will no longer be responsible for labor charges incurred. All defective products and parts covered by this warranty will be repaired or replaced on a mail-in basis to an EdgeStar authorized repair facility.

PARTS: For a period of ONE (1) YEAR from the date of original purchase, EdgeStar will supply new, rebuilt, or refurbished parts free of charge. EdgeStar may request a defective part be returned in exchange for the replacement part. All replacement parts or products will be new, remanufactured, or refurbished. All products and parts replaced by EdgeStar under warranty service become the property of EdgeStar.

This warranty applies to the original purchaser only, and only covers defects in workmanship experienced during operation of the product under normal service, maintenance, and usage conditions. This warranty applies to the purchase and use of this product in residential settings within the United States of America.

WHAT IS NOT COVERED:

The following limitations apply to the coverage of this warranty. This warranty does not cover:

- Labor charges for installation, setup or training to use the product.
- Shipping damage, and any damage caused by improper packaging for shipment to an authorized service center, and any damage caused by improper voltage or any other misuse, including abnormal service, handling, or usage.
- Cosmetic damage such as scratches and dents.
- Normal wear and tear on parts or replacement of parts designed to be replaced, e.g. filters, cartridges, batteries.
- Service trips to deliver, pick-up, or repair, install the product, or to instruct in proper usage of the product.
- Damages or operating problems resulting from misuse, abuse, operation outside environmental specifications, uses contrary to instructions provided in the owner's manual, accidents, acts of God, vermin, fire, flood, improper installation, unauthorized service, maintenance negligence, unauthorized installation or modification, or commercial use.
- Labor charges incurred 91 days or more after the date of original purchase.
- The use of EdgeStar products in commercial settings.
- Optional accessories, attachments, and appearance items.
- Products that have been modified to perform outside of specifications without the prior written permission of EdgeStar.
- Products lost in shipment, or theft.
- Products sold AS IS or from an unauthorized reseller.
- Products that have had their serial numbers removed or defaced. Products with serial numbers that have been invalidated.

OBTAINING WARRANTY SERVICE:

If you believe your product is defective, contact EdgeStar Customer Support for troubleshooting assistance and warranty service at 1-866-319-5473. Please have your serial number and proof of purchase available. Once an EdgeStar authorized representative has confirmed that your product is defective and eligible for warranty service, the product must be returned to an EdgeStar repair facility. The purchaser is solely responsible for prepaying all shipping related costs to and from the repair facility. EdgeStar is not responsible for damage resulting from shipper mishandling or improper packaging. Do not return a defective product to the place of purchase. Products received without a return authorization number will be refused.

THIS WARRANTY IS IN LIEU OF ANY OTHER WARRANTY, EXPRESSED OR IMPLIED, INCLUDING WITHOUT LIMITATION, ANY WARRANTY OF MERCHANTABILITY OR FITNESS FOR A PARTICULAR PURPOSE. TO THE EXTENT ANY IMPLIED WARRANTY IS REQUIRED BY LAW, IT IS LIMITED IN DURATION TO THE EXPRESS WARRANTY PERIOD ABOVE. NEITHER THE MANUFACTURER NOR ITS DISTRIBUTORS SHALL BE LIABLE FOR ANY INCIDENTAL, CONSEQUENTIAL, INDIRECT, SPECIAL, OR PUNITIVE DAMAGES OF ANY NATURE, INCLUDING WITHOUT LIMITATION, LOST REVENUES OR PROFITS, OR ANY OTHER DAMAGE WHETHER BASED IN CONTRACT, TORT, OR OTHERWISE. SOME STATES DO NOT ALLOW THE EXCLUSION OF INCIDENTAL OR CONSEQUENTIAL DAMAGES, SO THE ABOVE EXCLUSION MAY NOT APPLY TO YOU. THIS WARRANTY GIVES YOU SPECIFIC LEGAL RIGHTS. YOU MAY HAVE OTHER RIGHTS THAT VARY FROM STATE TO STATE.

Koldfront[®]

By

EdgeStar Products
500 N. Capital of TX Hwy, Bldg 5
Austin, TX 78746-3448

Toll Free: 1-866-319-5473
Web: <http://www.edgestar.com>
E-mail: service@edgestar.com

Register your product, download owner's manuals, access additional troubleshooting resources, and obtain more information on other great EdgeStar & Koldfront products on the web at: <http://www.edgestar.com>

Product contents and specifications may change without notice.

Copyright © 2014 Living Direct, Inc.