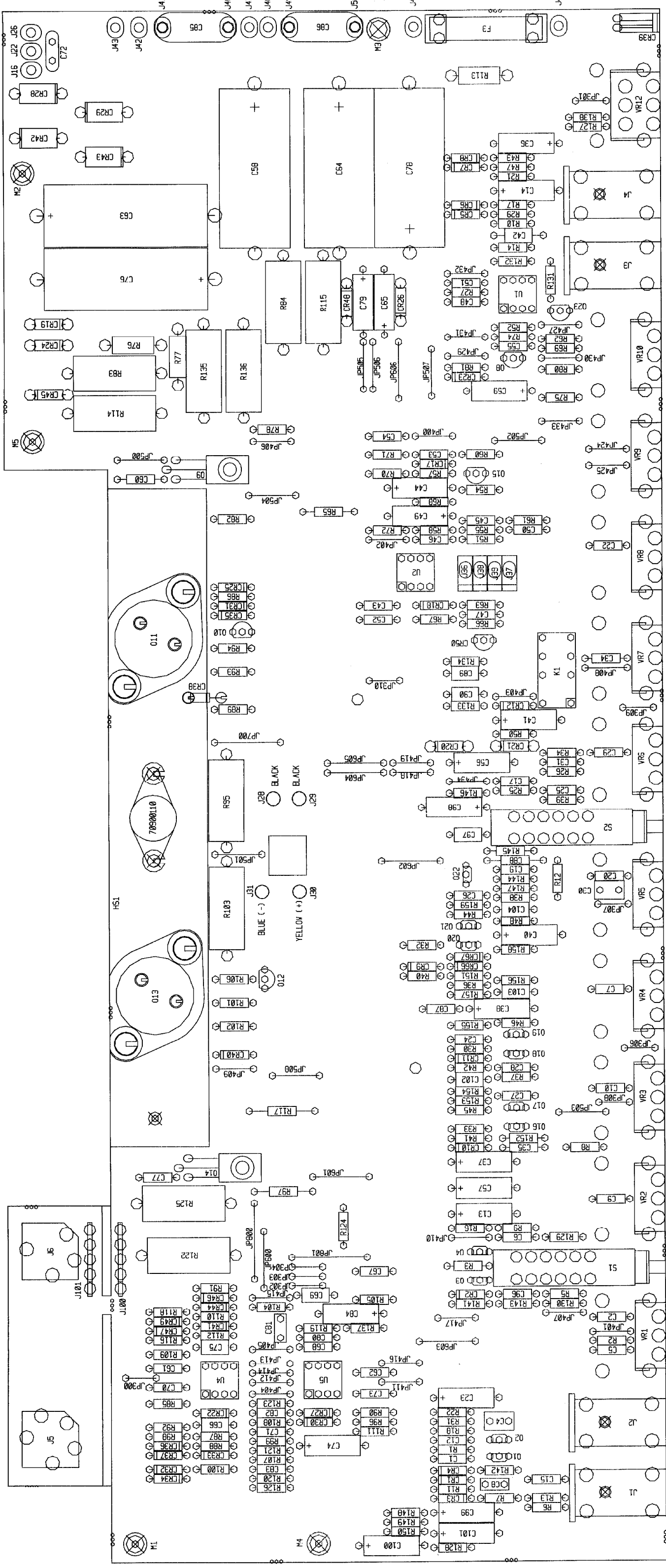


REV	1
DATE	11-18-75
PRINT	11-18-75
DESIGNER	PEAVEY ELECTRONICS CORP.
FILE	EXPRESS/STUDIO TRANSISTOR
SIZE	CF898852141



98852141  
 EXPRESS TRANSTUBE

BOARD NAME: EXPRESS TRANS  
 ASSEMBLY LEVEL NUMBER: 99052142/43  
 PART DESCRIPTION AND DEVICE DESIGNATIONS \*\*\*\*\*  
 \* QTY. NAME VALUE NUMBER \*\*\*\*\*  
 \*\*\*\*\*

QTY	NAME	VALUE	NUMBER	DESCRIPTION AND DEVICE DESIGNATIONS	QTY	NAME	VALUE	NUMBER	DESCRIPTION AND DEVICE DESIGNATIONS
1	.1	.1	70340100	.1MF--10--50VDC-AXL-T&R	1	1M4744	4744	70440102	SZG40102 15V 5% ZENER DIODE
1	.001	.001	70340000	.001MF--10--50VDC-MON-T&R	1	1M4148	4148	70464148	1M4148 75V 10MA SILICON DIODE
1	.047M	.047M	70330136	.047M 5% 50Vdc my T&A	1	MAC97	MAC97	70460097	MAC97-6 400V .6A TO-92 TRIAC T&A
1	.001	.001	70340000	.001MF--10--50VDC-MON-T&R	2	1M4148	4148	70464148	1M4148 75V 10MA SILICON DIODE
1	.047	.047	70340017	.047MF--10--50VDC-MON-T&R	1	3AFB	3AFB	70900033	3 AMP F/E FUSE WITH 2 FUSECLIPS #709000816
1	270PF	270PF	70340057	270PF--10--50VDC-T/C-T&R	1	HS2762	98002762	98002762	Express Heat Sink
1	.1SF	.1SF	70330113	.1SF	4	RAM6164	71466164	71466164	JK R/A 12.5MM NIN MONO -88
2	.022	.022	70340012	.022MF--10--50VDC-MON-T&R	1	HDSNI	71466217	71466217	J1, J2, J3, J4
1	.0068	.0068	70340008	.0068MF--10--50VDC-MON-T&R	1	HDMT	71466215	71466215	2 TIP HIE JACK INSU W/SPD
1	22A25	22A25	70320012	22MFD +/-20% 25VDC EL AXL	1	MMPC	73711812	73711812	R93-12 PN C.B. MALE MOLEX PIN
1	2.2A35	2.2A35	70320200	2.2MFD 35VDC LY.CAP T&R	1	FMPC	73711811	73711811	M118-171 C.B. FEMALE MOLEX PIN
1	470PF	470PF	70340058	470PF--10--50VDC-T/C-T&R	1	MMPC	73711812	73711812	R93-12 PN C.B. MALE MOLEX PIN
1	270PF	270PF	70340057	270PF--10--50VDC-T/C-T&R	2	WJ8EK4SP	WJ8EK4SP	91090271	BK-18G-4"-CPT-205SPD/RA
1	.001	.001	70340000	.001MF--10--50VDC-MON-T&R	1	WJ8YL6SP	WJ8YL6SP	91015058	YL-18G-6"-CPT-205SPD
1	.1	.1	70340100	.1MF--10--50VDC-MON-T&R	1	WJ8EL6SP	WJ8EL6SP	91014059	WJ-18G-6"-CPT-205SPD
1	470PF	470PF	70340058	470PF--10--50VDC-T/C-T&R	4	SPX1D	73717003	73717003	1 STAKE PIN
1	.047	.047	70340017	.047MF--10--50VDC-MON-T&R	10	FMFU	73711811	73711811	J36, J37, J38, J39
1	.015	.015	70340010	.015MF--10--50VDC-T/C-T&R	2	500STW	70901859	70901859	M1, M2, M3, M4, M5
1	.047	.047	70340017	.047MF--10--50VDC-MON-T&R	4	1740	1740	70401740	25C1740SLN 40V.1A, NPN, LOW NOISE T&A
1	.047	.047	70340017	.047MF--10--50VDC-MON-T&R	1	J174	J174	70460174	Q1, Q2, Q3, Q4
1	.001	.001	70340000	.001MF--10--50VDC-MON-T&R	1	J174	J174	70460174	J-174 30V TO-92 P-CHAN FET T&A
1	.022	.022	70340012	.022MF--10--50VDC-MON-T&R	1	5331	5331	70405331	SJE-5331 CASE-77 NPN
1	.047M	.047M	70330136	.047M 5% 50Vdc my T&A	1	6531	6531	70466531	Q9
1	.0068	.0068	70340008	.0068MF--10--50VDC-MON-T&R	1	83100A	83100	70483100	MFS-6531 TO92 NPN TRANS. T&A
1	.022	.022	70340012	.022MF--10--50VDC-MON-T&R	1	83100A	83100	70483100	SJ-83100, NPN, 3 AMP, 100V, METRIC TO-3 TRANS
1	270PF	270PF	70340057	270PF--10--50VDC-T/C-T&R	1	6533	6533	70466533	MFS-6533/34 TO-92 PNP TRANS T&A
2	2.2A35	2.2A35	70320200	2.2MFD 35VDC LY.CAP T&R	1	73100A	73100	70473100	SJ-73100, 3 AMP, 100V, METRIC TO-3, PNP TRANS
3	22A25	22A25	70320012	22MFD +/-20% 25VDC EL AXL	1	7036	7036	70407036	SJE-7036 CASE-77 PNP XSIATOR
1	.1P10	.1P10	70340101	.1MF--10--50VDC-MON-T&R	1	576	576	70460576	576/2N5462 40V TO-92 P-FET T&A
1	.047P80	.047P80	70340016	.047MF--80-208-50VDC-MON-T&R	6	1740	1740	70401740	25C1740SLN 40V.1A, NPN, LOW NOISE T&A
1	2.2A35	2.2A35	70320200	2.2MFD 35VDC LY.CAP T&R	1	933	933	70400933	Q16, Q17, Q18, Q19, Q20, Q21
2	100PF	100PF	70340054	100PF--10--50VDC-T/C-T&R	1	J174	J174	70460174	25A933ASLN 40V.1A, PNP, LOW NOISE T&A
1	.015	.015	70340010	.015MF--10--50VDC-T/C-T&R	1	150KFI	150KFI	70241035	150K-1/4W-1%--MF-T&R
1	.1	.1	70340100	.1MF--10--50VDC-MON-T&R	1	470K	470K	70240038	470K-1/4W-5%--CF-T&R
1	.47A50L	.47A50L	70340063	.47MF--50V IOW LEAKAGE	1	100K	100K	70240034	100K-1/4W-5%--CF-T&R
1	.047P80	.047P80	70340016	.047MF--80-208-50VDC-MON-T&R	1	2.2M	2.2M	70240040	2.2M-1/4W-5%--CF-T&R
1	.1	.1	70340100	.1MF--10--50VDC-MON-T&R	1	22K	22K	70240029	22K-1/4W-5%--CF-T&R
3	.047P80	.047P80	70340016	.047MF--80-208-50VDC-MON-T&R	1	47K	47K	70240031	47K-1/4W-5%--CF-T&R
1	100PF	100PF	70340054	100PF--10--50VDC-T/C-T&R	1	68K	68K	70240032	68K-1/4W-5%--CF-T&R
2	10A50	10A50	70320112	10MFD 50V T&R	1	2.2M	2.2M	70240040	2.2M-1/4W-5%--CF-T&R
1	1000A50	1000A50	70320026	1000MF - 50VDC - EL - AXL	1	220K	220K	70240036	220K-1/4W-5%--CF-T&R
1	2.2A35	2.2A35	70320200	2.2MFD 35VDC LY.CAP T&R	1	1M	1M	70240039	1M-1/4W-5%--CF-T&R
1	100PF	100PF	70340054	100PF--10--50VDC-T/C-T&R	2	22K	22K	70240029	22K-1/4W-5%--CF-T&R
2	.1	.1	70340100	.1MF--10--50VDC-MON-T&R	1	100K	100K	70240034	100K-1/4W-5%--CF-T&R

\*\*\*\*\*

