


# Slat

PSS3420NN + PC3420

33<sup>5</sup>/<sub>8</sub>" W x 20<sup>1</sup>/<sub>4</sub>" D x 19<sup>5</sup>/<sub>8</sub>" H

Available in 5 widths: 24", 28", 34", 38", 48"



 Made in Italy

## Slat Vanity

Wall-mounted bathroom vanity  
Vertical ribbed detailing  
Integrated metal trim  
Spacious single drawer with inset drawer  
Soft-close drawers

## Contura Sinktop

Mineral stone countertop  
Integrated sink  
Includes 3 overflow rings:

White  Chrome  Black



### Slat Vanity

Body Finish	<input checked="" type="radio"/> N	Walnut
Drawer Finish	<input checked="" type="radio"/> N	Walnut
Trim Finish	<input checked="" type="radio"/> MB	Matte Black
	<input type="radio"/> MG	Matte Gold

BUILD YOUR VANITY MODEL NUMBER

**PSS342020** + **N** + **N** +    
*base model*     *body finish code*     *drawer finish code*     *trim finish code*



### Contura Sinktop

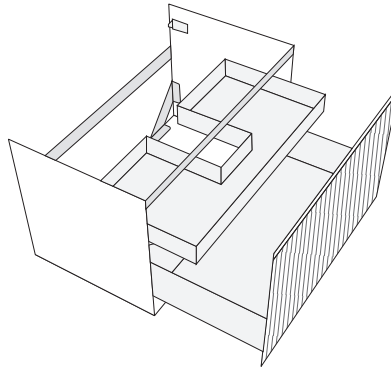
Sinktop Finish	<input type="radio"/> GW	Glossy White
	<input type="radio"/> MW	Matte White
Faucet Holes	<input type="checkbox"/> 0	0-hole tap
	<input type="checkbox"/> 1	1-hole tap
	<input type="checkbox"/> 3	3-hole tap

BUILD YOUR SINKTOP MODEL NUMBER

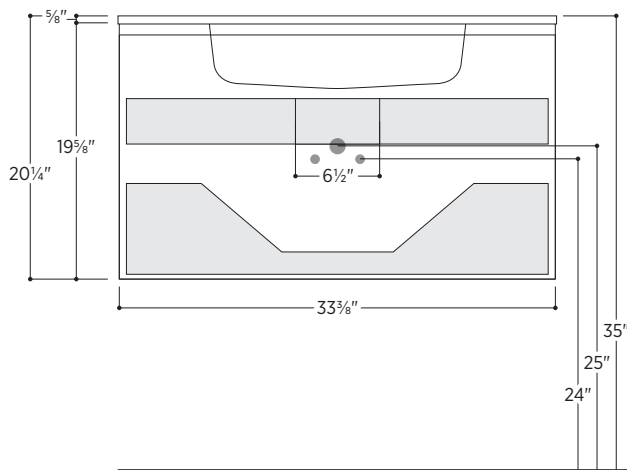
**PC3420** +   +   
*base model*     *sinktop finish code*     *number of faucet holes*

# Slat

PSS3420NN + PC3420



Front View



Side View

