

Slat

PSS3820NN + PC3820

37⁵/₈" W x 20¹/₄" D x 19⁵/₈" H

Available in 5 widths: 24", 28", 34", 38", 48"



 Made in Italy

Slat Vanity

Wall-mounted bathroom vanity
Vertical ribbed detailing
Integrated metal trim
Spacious single drawer with inset drawer
Soft-close drawers

Contura Sinktop

Mineral stone countertop
Integrated sink
Includes 3 overflow rings:

White Chrome Black



Slat Vanity

Body Finish	<input checked="" type="radio"/> N	Walnut
Drawer Finish	<input checked="" type="radio"/> N	Walnut
Trim Finish	<input checked="" type="radio"/> MB	Matte Black
	<input type="radio"/> MG	Matte Gold

BUILD YOUR VANITY MODEL NUMBER

PSS382020 + **N** + **N** +
base model *body finish code* *drawer finish code* *trim finish code*



Contura Sinktop

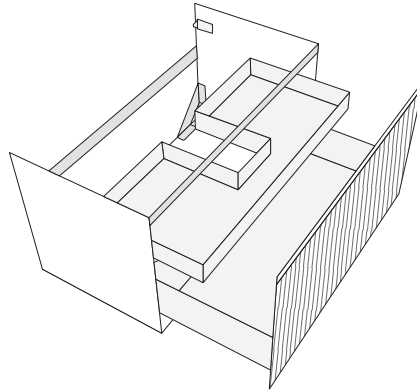
Sinktop Finish	<input type="radio"/> GW	Glossy White
	<input type="radio"/> MW	Matte White
Faucet Holes	<input type="checkbox"/> 0	0-hole tap
	<input type="checkbox"/> 1	1-hole tap
	<input type="checkbox"/> 3	3-hole tap

BUILD YOUR SINKTOP MODEL NUMBER

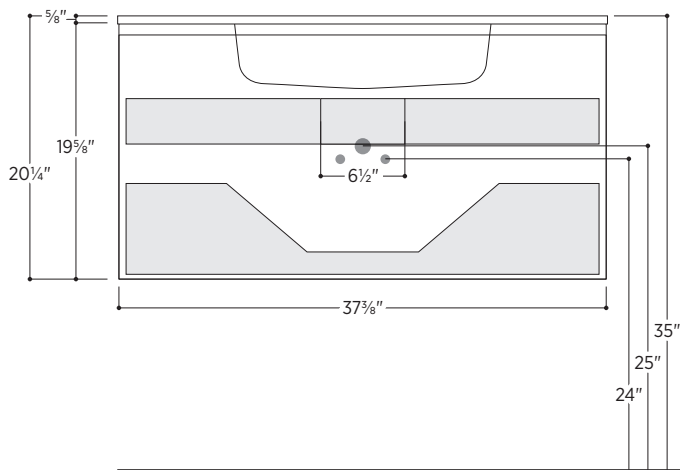
PC3820 + +
base model *sinktop finish code* *number of faucet holes*

Slat

PSS3820NN + PC3820



Front View



Side View

