

Installation Guide

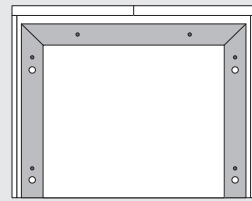
PERLATO

Perlato Slat Base Mini 2-Door Vanities

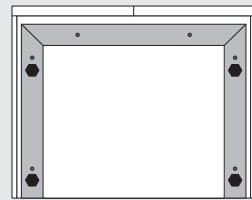
IMPORTANT

Before beginning installation, make sure that the vanity is the correct model and size and conduct a thorough inspection.

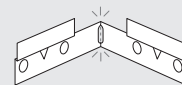
1. Remove glass shelf for protection.
Carefully place vanity upside down on a protective surface. Align base flush with back of vanity, then screw into place.



2. Fully insert levelers and then adjust black tips by rotating as necessary. Carefully turn vanity right side up.



3. Separate the two hanging brackets by bending and cracking apart the included hardware.



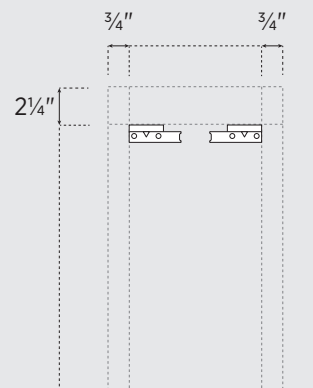
4. Although this vanity rests on the floor, it must still be secured to the wall for added stability. Determine where you would like to install your vanity and mark wall appropriately using the following guides:

Calculate the vertical position

The top edge of the hanging bracket should be positioned $2\frac{1}{4}$ " below the vanity top.

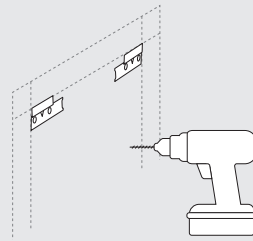
Calculate the horizontal position

The hanging brackets should be hung with the external edges set in $\frac{3}{4}$ " from the vanity edge.

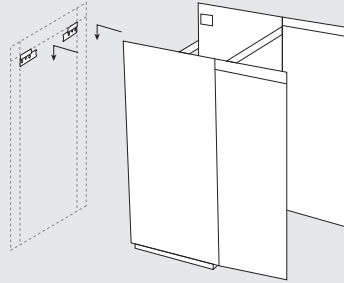


5. Drill mounting holes in wall and fasten wall brackets with screws.

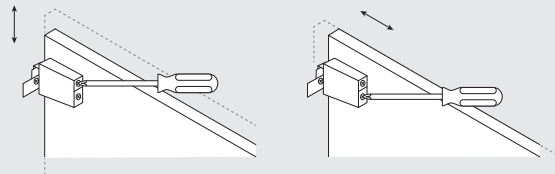
Ensure brackets will be anchored to wall studs or reinforce wall for support.



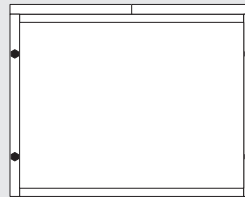
6. Hook vanity onto wall brackets.



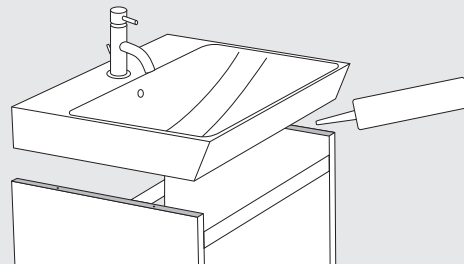
7. Adjust metal hooks if necessary to properly level vanity and secure it to wall.



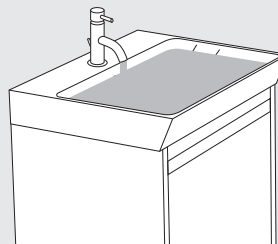
8. Fully insert levelers on the top rim of the vanity and adjust black tips by rotating as necessary.



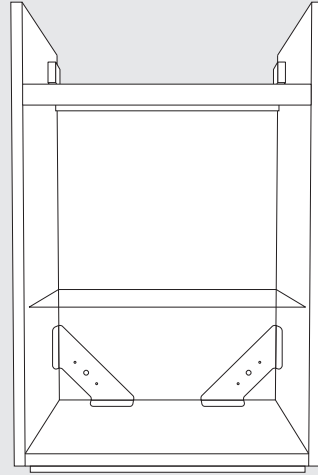
9. Attach faucet and drain to sink. Spread non-acetic silicone sparingly along top rim of vanity and levelers. Position sink in place and use silicone to fill the gap between sink and vanity. Use a cloth to wipe excess silicone.



10. Connect water supply and drain lines. Run faucet and check for leaks.

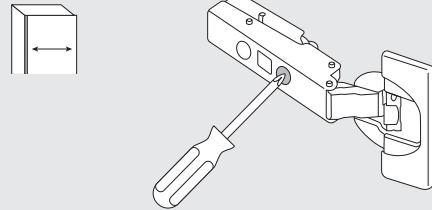


11. Replace glass shelf. Refer to instructions below if door position needs adjustment.

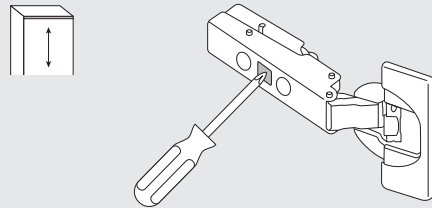


Door Adjustments *optional*

Rotate setting on hinge to align door horizontally.



Rotate setting on hinge to align door vertically.



Rotate setting on hinge to bring door closer to or farther from vanity body.

