

# Briton

*560 & 570 Series Panic Exit Hardware*





*Briton 560 and Briton 570 panic exit devices have been designed to offer modular solutions for mid to high end specification, offering a combination of style, safety and optimum security. Comprising of one-point locking pushbar or touchbar device and optional modular locking elements, these units offer increased flexibility and adaptability to suit individual requirements.*

#### **Briton 560 Pushbar and Briton 570 Touchbar**

The new Briton 560 and 570 panic exit devices offer:

- Robust construction with improved durability suitable for all heavy traffic applications
- Technologically advanced design with proven performance and reliability
- Grip function on 570 Touchbar design allows the door to be pulled closed (arrowed opposite)
- Shaped cross bar end piece to allow easier access to door lock
- Fully suited design is visually compatible with Briton 376 Series devices
- Suitable for doors with a minimum clear opening width down to 500mm. This can be reduced to 350mm where side latchbolts are not required
- Unique assembly which reduces installation time by as much as 50% (see opposite)



# Briton Fast & Simple Installation



## ***Installation made quicker and easier***

*The radical new design of the Briton 500 Series allows units to be installed quickly and easily - in approximately seven minutes, half the time of the previous system.*

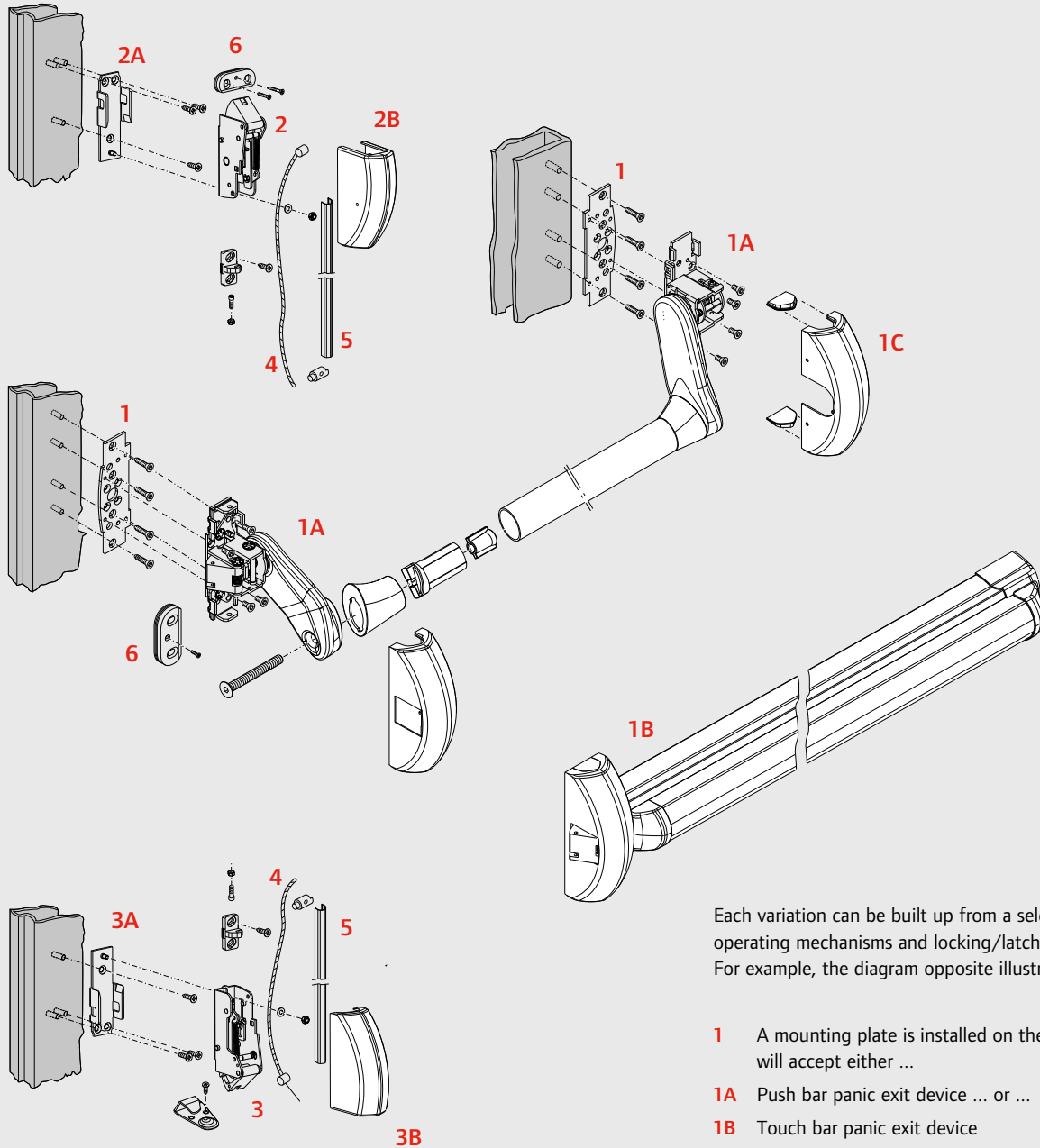
## **Installation benefits**

The new Briton 500 Series has a number of new and unique features to make installation much easier and quicker:

- Easy-to-use Accufit templates and backplates for the individual panic devices and the pullman latches
- Patented Fast-Fix cable system replaces the conventional vertical rods to connect the operating unit and the pullman latches
- Fine adjustments of the cable system are possible in-situ for maximum accuracy during installation
- Minimal measuring is required to prepare the units to suit the door height
- Quick and simple snap on covers for the operating mechanisms and pullman latches
- Easy to follow pictorial installation instructions

See for yourself how easy it is to install. Scan the link opposite to see a video or go to <http://tinyurl.com/83yech9>





Each variation can be built up from a selection of operating mechanisms and locking/latching options. For example, the diagram opposite illustrates:-

- 1** A mounting plate is installed on the door which will accept either ...
- 1A** Push bar panic exit device ... or ...
- 1B** Touch bar panic exit device
- 1C** Snap-on cover(s) conceals the mechanism and all fixings
- 2** Optional upper pullman kit with mounting plate [2A], push-on cover [2B], adjustable connection cable [4], cable cover section [5] and strike [6]
- 3** Optional lower pullman kit with components as for the upper pullman

# Briton Modular Components

## Pullman Latches

The pullman latchbolts provide a smooth and quiet closing action, ideal for interconnecting doors in highly populated areas.

Available as top/bottom latches or side acting latches for applications where installation of the striker to the floor or threshold is not practical.

In all cases the pullman latch is connected to the Pushbar or Touchbar activation device using a unique adjustable stainless steel cable which is fully concealed beneath extruded cover channels.

## Pushbar or Touchbar

At the heart of the system is the activation device which is available in a 'Pushbar' design or the lower projection 'Touchbar'. Each device can be used on its own to provide single point latching or with the addition of universal pullman latches for multi point latching.



## Flexible and Comprehensive

By using combinations of pullman latches, multi-point latching of single and double doors, rebated and non rebated can easily be achieved to suit any particular set of requirements.

Additional side pullman latches (right) can be added to the system. These can be used at any position above or below the activation device to produce 4 or even 5 point latching on a single door.



## Security

Designed to provide immediate escape at any time these devices also provide a high level of security from intruders from the outside. The anti-thrust device in the latch and pullmans prevents unauthorised retraction of the latchbolts and the modular design allows various levels of multi-point locking.



Top Pullman



Upper Side Pullman



Lower Side Pullman



Bottom Pullman

CE



**One Point Locking**

- Suitable for use on single doors and the first opening leaf of rebated double doors
- Upgradeable to two/three point locking or four point locking on single and first opening leaf of rebated double doors with Modular Locking Points (see page 4 for details)
- Non-handed – suitable for both left and right handed doors
- Dogging device (hold-open) option available (see page 10 for details)
- Alarm micro-switch option available (see page 10 for details)
- Conforms to EN 1125  
**Classification 377B1422AA**

Part No.	Description
Briton 561	Push bar unit - single point latch (non handed)

CE



**Two/Three Point Locking with Upper and Lower Pullmans**

- Suitable for use on single doors, rebated and non-rebated double doors
- Upgradeable to four point locking on single doors with Modular Locking Points (see page 4 for details)
- Non-handed – suitable for both left and right handed doors
- Dogging device (hold-open) option available (see page 10 for details)
- Alarm micro-switch option available (see page 10 for details)
- Alternative bottom striker option available (see page 10 for details)
- Conforms to EN 1125  
**Classification 377B1422AA**

Part No.	Description
Briton 561	Push bar unit - single point latch
Briton 574.V	Upper & lower pullman latches (non handed)

CE



**Three Point Locking with Two Side Pullmans**

- Suitable for use on single doors and the first opening leaf of rebated double doors
- Upgradeable to four point locking on single doors and first opening leaf of rebated double doors with Modular Locking Points (see page 4 for details)
- Non-handed – suitable for both left and right handed doors
- Dogging device (hold-open) option available (see page 10 for details)
- Alarm micro-switch option available (see page 10 for details)
- Conforms to EN 1125  
**Classification 377B1422AA**

Part No.	Description
Briton 561	Push bar unit - single point latch
Briton 574.S	Two side pullman latches (non handed)



**Three Point Locking with One Upper and One Side Pullman**

- Suitable for use on single doors
- Upgradeable to four point locking on single doors with Modular Locking Points (see page 4 for details)
- Handed – 574.VS.L suitable for left handed doors & 574.VS.R suitable for right handed doors
- Dogging device (hold-open) option available (see page 10 for details)
- Alarm micro-switch option available (see page 10 for details)
- Conforms to EN 1125  
**Classification 377B1422AA**

Part No.	Description
Briton 561	Push bar unit - single point latch
Briton 574.VS.R #	Upper & side pullman latches (right hand)

# For left hand doors specify 574.VS.L

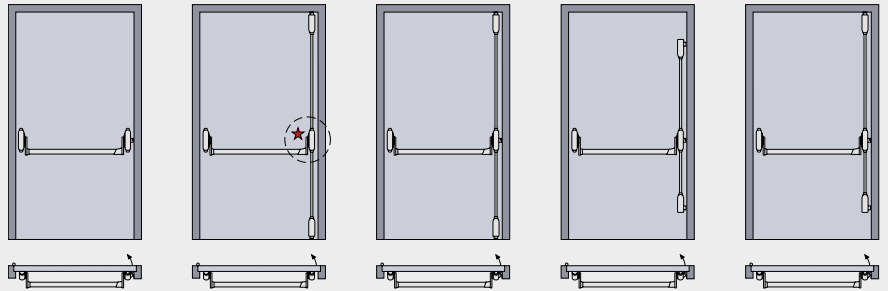
Briton 560 panic exit devices are suitable for application to single doors and in combinations on rebated and non-rebated double doors.

Consideration should be given to the use of door co-ordinating devices for rebated pairs of doors.

A door co-ordinating device **MUST** be used for fire/smoke applications.

**Single door**

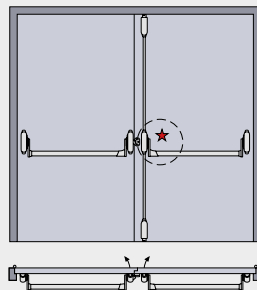
One point locking    Two point locking    Three point locking    Three point locking    Three point locking



Part No.	Part No.	Part No.	Part No.	Part No.
Briton 561	Briton 561 Briton 574.V	Briton 561 Briton 574.V	Briton 561 Briton 574.S	Briton 561 Briton 574.VS.L

**Rebated double door**

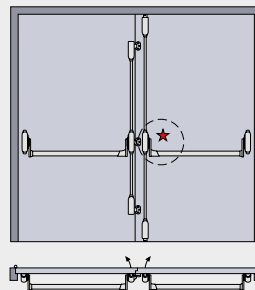
Three point locking



Primary Leaf	Sec. Leaf
Briton 561	Briton 561 Briton 574.V

**Rebated double door**

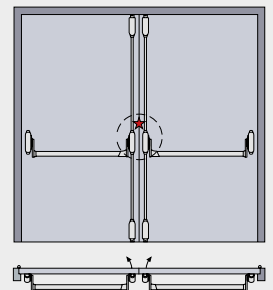
Five point locking



Primary Leaf	Sec. Leaf
Briton 561 Briton 574.S	Briton 561 Briton 574.V

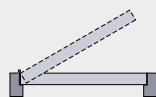
**Non-Rebated double door**

Four point locking

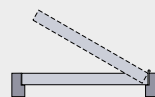


Primary Leaf	Primary Leaf
Briton 561 Briton 574.V	Briton 561 Briton 574.V

**Key to illustrations:**



Clockwise closing  
Left hand  
ISO. 5.0



Anti-clockwise closing  
Right hand  
ISO. 6.0

★ Side latchbolt not required - disable during installation

CE



**One Point Locking**

- Suitable for use on single doors and the first opening leaf of rebated double doors
- Upgradeable to two/three point locking or four point locking on single and first opening leaf of rebated double doors with Modular Locking Points (see page 4 for details)
- Non-handed – suitable for both left and right handed doors
- Dogging device (hold-open) option available (see page 10 for details)
- Alarm micro-switch option available (see page 10 for details)
- Conforms to EN 1125  
**Classification 377B1422BA**

CE



**Two/Three Point Locking with Upper and Lower Pullmans**

- Suitable for use on single doors, rebated and non-rebated double doors
- Upgradeable to four point locking on single doors with Modular Locking Points (see page 4 for details)
- Non-handed – suitable for both left and right handed doors
- Dogging device (hold-open) option available (see page 10 for details)
- Alarm micro-switch option available (see page 10 for details)
- Alternative bottom striker option available (see page 10 for details)
- Conforms to EN 1125  
**Classification 377B1422BA**

CE



**Three Point Locking with Two Side Pullmans**

- Suitable for use on single doors and the first opening leaf of rebated double doors
- Upgradeable to four point locking on single doors and first opening leaf of rebated double doors with Modular Locking Points (see page 4 for details)
- Non-handed – suitable for both left and right handed doors
- Dogging device (hold-open) option available (see page 10 for details)
- Alarm micro-switch option available (see page 10 for details)
- Conforms to EN 1125  
**Classification 377B1422BA**

Part No. *	Description
Briton 571.1	Touch bar unit - length 1200mm
Briton 571.2	Touch bar unit - length 840mm

Part No.	Description
Briton 571*	Touch bar unit - single point latch
Briton 574.V	Upper & lower pullman latches (non handed)

Part No.	Description
Briton 571*	Touch bar unit - single point latch
Briton 574.S	Two side pullman latches (non handed)

\* The 571 device is available in 2 lengths (specify 571.1 for 1200mm wide and 571.2 for 840mm wide). According to EN1125 the length of the touch bar unit should be as near as possible the effective width of the opening and not less than 60% of the width of the opening.



# Briton 570 Series Application Guide



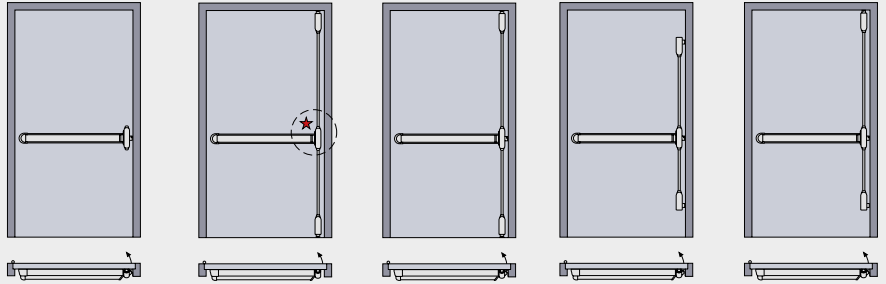
Briton 570 panic exit devices are suitable for application to single doors and in combinations on rebated and non-rebated double doors.

Consideration should be given to the use of door co-ordinating devices for rebated pairs of doors.

A door co-ordinating device **MUST** be used for fire/smoke applications.

## Single door

One point locking    Two point locking    Three point locking    Three point locking    Three point locking



Part No.
Briton 571 *

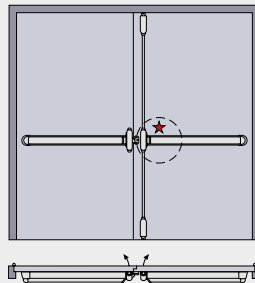
Part No.
Briton 571 *
Briton 574.V

Part No.
Briton 571 *
Briton 574.V

Part No.
Briton 571 *
Briton 574.S

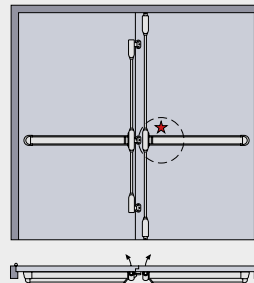
Part No.
Briton 571 *
Briton 574.VS.L

## Rebated double door Three point locking



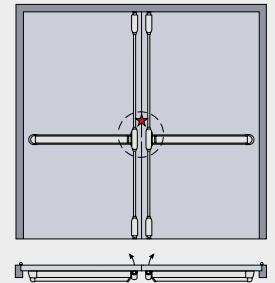
Primary Leaf	Sec. Leaf
Briton 571 *	Briton 571 *
	Briton 574.V

## Rebated double door Five point locking



Primary Leaf	Sec. Leaf
Briton 571 *	Briton 571 *
Briton 574.S	Briton 574.V

## Non-Rebated double door Four point locking



Primary Leaf	Primary Leaf
Briton 571 *	Briton 571 *
Briton 574.V	Briton 574.V

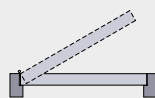
### Three Point Locking with One Upper and One Side Pullman

- Suitable for use on single doors
- Upgradeable to four point locking on single doors with Modular Locking Points (see page 4 for details)
- Handed – 574.VS.L suitable for left handed doors & 574.VS.R suitable for right handed doors
- Dogging device (hold-open) option available (see page 10 for details)
- Alarm micro-switch option available (see page 10 for details)
- Conforms to EN 1125  
**Classification 377B1422BA**

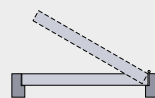
Part No.	Description
Briton 571 *	Touch bar unit - single point latch
Briton 574.VS.R #	Upper & side pullman latches (right hand)

# For left hand doors specify 574.VS.L

### Key to illustrations:



Clockwise closing  
Left hand  
ISO. 5.0



Anti-clockwise closing  
Right hand  
ISO. 6.0

★ Side latchbolt not required - disable during installation

\* The 571 device is available in 2 lengths (specify 571.1 for 1200mm wide and 571.2 for 840mm wide). According to EN1125 the length of the touch bar unit should be as near as possible the effective width of the opening and not less than 60% of the width of the opening.

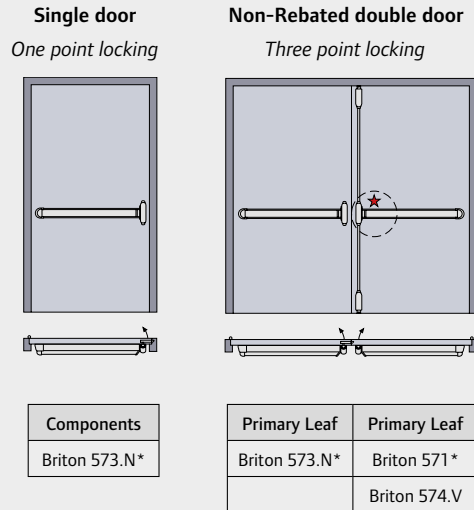
# 570 Touchbar Mortice Application



Briton 573 panic exit devices are suitable for application to single doors and non-rebated double doors.

Consideration should be given to the use of door co-ordinating devices for rebated pairs of doors.

A door co-ordinating device **MUST** be used for fire/smoke applications.



\* Please specify length of operating device

### Panic Device with Mortice Nightlatch

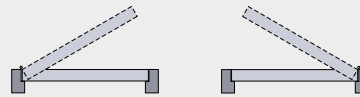
- Suitable for use on single doors, rebated and non-rebated double doors
- Handed – supplied suitable for right handed doors, and can be reversed on site
- Supplied with dual profile cylinder mortice nightlatch, which includes an anti-thrust feature to prevent manipulation of the latchbolt when the door is closed
- Nightlatch accepts both euro and oval profiled cylinders (cylinders not supplied)
- Complete with steel box striker
- Alarm micro-switch option available (see page 10 for details)
- Conforms to EN 1125

**Classification 377B1422BA**

Part No.*	Description
Briton 573.N.1	Touch bar unit - length 1200mm
Briton 573.N.2	Touch bar unit - length 840mm

\* The 573 device is available in 2 lengths. According to EN1125 the length of the touch bar unit should be as near as possible the effective width of the opening and not less than 60% of the width of the opening.

### Key to illustrations:



Clockwise closing  
Left hand  
ISO. 5.0

Anti-clockwise closing  
Right hand  
ISO. 6.0

★ Side latchbolt not required - disable during installation



# Briton Accessories

## Controlled Access

Suitable for both Briton 560 and 570 devices, a Briton 1413E outside locking device will give access from the outside for key holders when the door is locked. When unlocked the door can also be operated from the outside by lever or knob.

Choice of interchangeable knob, or lever (available separately) allowing the most appropriate method of operation to be selected for the building users.

Not recommended for high use areas.

- Supplied with euro-profile cylinder as standard. Cylinders can be keyed alike or master-keyed
- Suitable for door thickness 40mm - 70mm
- Fixings supplied are suitable for timber and metal doorsets
- Choice of plated or powder coated finishes



**Briton  
1413E/LE**



**Briton  
1413E/KE**

## Alarm Switch Kits

These units allow standard models to be connected to electronic audio/visual alarm or door control systems giving immediate notification of use when the panic device is operated.

The door cannot be opened without the system being activated.



**566.AK  
Alarm Switch Kit**  
*For use with Briton 560 only*



**576.AK  
Alarm Switch Kit**  
*For use with Briton 570 only*

## Dogging Device (hold open) Kits

These units allow standard models to be upgraded to permit free access when required.

The manual hold open function is operated by a key and holds all latchbolts in the withdrawn position.



**566.DK  
Dogging Device Kit**  
*For use with Briton 560 only*



**576.DK  
Dogging Device Kit**  
*For use with Briton 570 only  
(not suitable for Briton 573)*

## Briton 574.STE Easy Clean Socket

For use with lower pullman on either Briton 560 or Briton 570.

**Finish:** matt black



## Briton 574.STP Strike for uPVC Doors

Adjustable strike for use with top or side pullmans fitted to uPVC frames with a projection of 14 - 24mm.

**Finish:** matt black



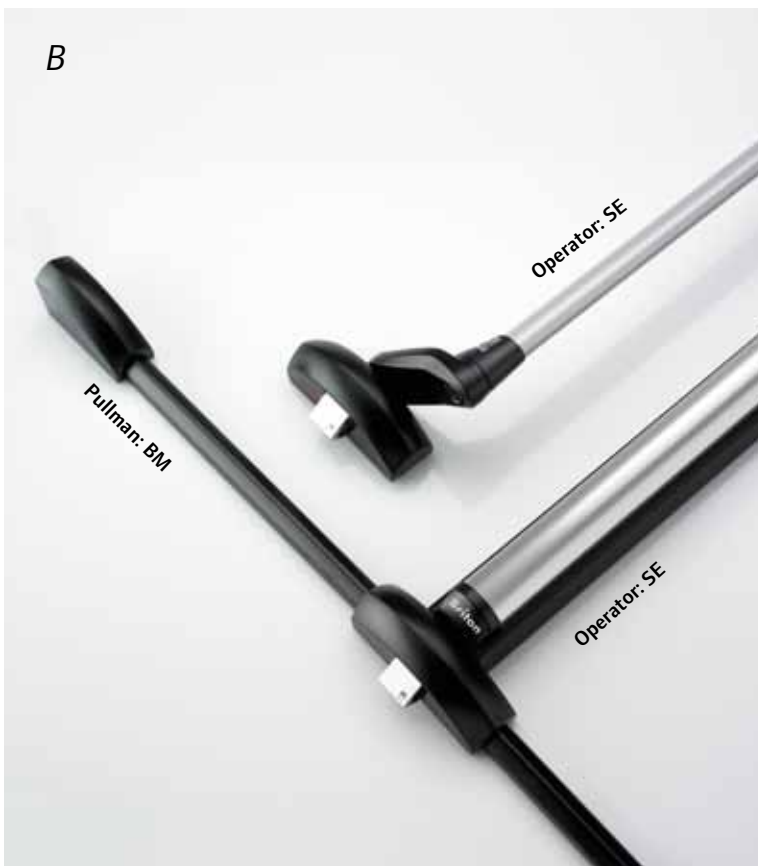
## Briton 576.RE Top Rod Extension Kit

Rod extension kits are suitable for use with both Briton 560 and 570 devices on doors in areas that require the pushbar or touchbar to be in a lower position e.g schools. These can also be used on doors up to 3350mm high, however doors over 2500mm high are outside the scope of EN 1125.

**Finish:** silver or matt black



**Examples of Finish Combinations**



**Architectural Finishes**

The Briton 560 and 570 ranges are available in a choice of four metallic finishes in the combinations shown opposite and below.

**Combination A**

All end box covers, pullman covers and cable covers are supplied in a matching finish.

Please note, some small plastic components are either black or grey.

Finish - Operators	Option A Specify Code	Option B Specify Code
Silver (Powder coated)	SES	SE
Satin Stainless Steel (Electroplated)	-	SS
Polished Stainless Steel (Electroplated)	-	PS
Polished Brass (Electroplated)	-	PB

**Combination B**

The operating Push Bar or Touch Bar only is supplied in the metallic or powder coated finishes. The remaining components are supplied in a powder coated semi matt black finish.

Finish - Pullmans	Specify Code
Silver	SE
Black	BM



# Briton Panic Exits - The Standard

It is mandatory for all panic exit devices to comply with the latest revisions of EN 1125:2008 and CE Marking.



PANIC APPLICATION - EN 1125:2008

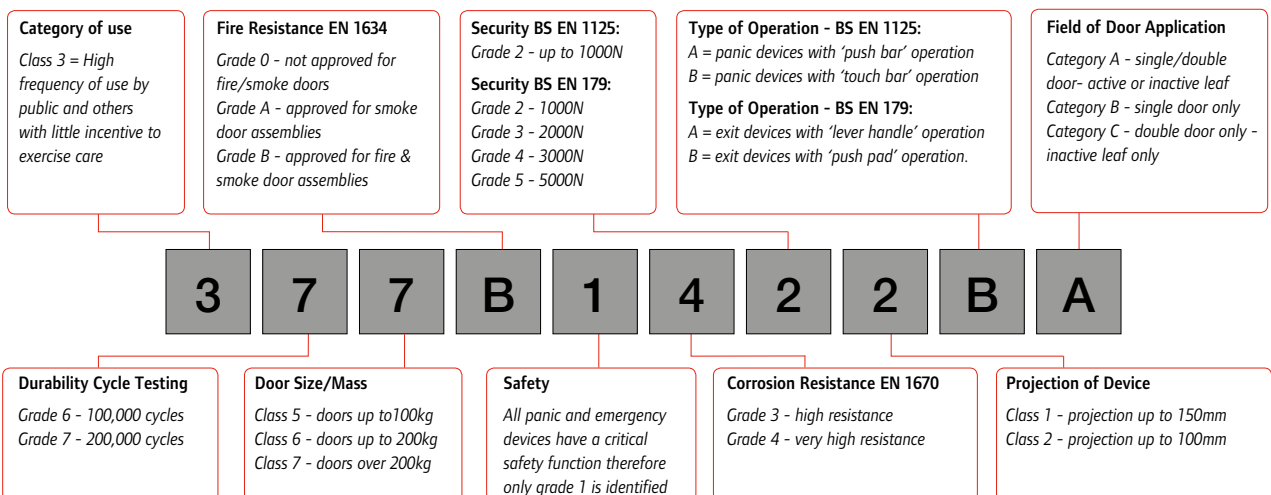
## EN 1125

Every new build or replacement panic exit application is required to comply with European safety legislation. The European standard EN 1125 covers panic exit devices for buildings used by the public providing **"safe and effective escape through the doorway with minimum effort and without prior knowledge of operation"**.

Briton 560 and 570 panic exit hardware carry the CE mark visibly showing that the products have been independently tested and assessed to the very latest European standard EN 1125.

### A Guide To CE Marking

Briton exit devices with the CE mark will show the EN 1125 classification numbers (see below) and the test house logo on the product.



## Construction

### Pushbar Device

The main and end casings are constructed of steel components, mounted on a steel chassis and covered by a precision zinc die-cast cover.

The steel latchbolt is activated by a tubular steel bar.

### Touchbar Device

The main casing & rear bracket are constructed of steel components mounted on a steel chassis and are covered by a precision zinc die cast cover.

The steel latchbolt is activated by an extruded aluminium touchbar enclosed in an extruded aluminium channel.

### Locking Kits

The locking points are constructed of steel components mounted on a steel chassis incorporating a steel latchbolt. Connection to the pushbar or touchbar device is via adjustable stainless steel cable concealed by an extruded aluminium cover.

## Fire/Smoke

Reference the Fire Precautions Act 1971, always consult the Local Fire Officer for their interpretation of the Act before finalising specification. Products within the Briton 560 and Briton 570 series have been included in successful fire tests to EN 1634.

Contact Technical Support on 0800 834102 for the precise field or application details.

## Fixing/Installation

These surface mounted devices come complete with easy to follow pictorial fixing instructions. Self adhesive Accufit templates ensure accurate installation of backplates for mounting the operating mechanism and pullman latches. Mechanisms are clamped onto the backplates. Flexible steel cables connecting the operating mechanism to the pullman latches require no measuring and adjustment screws in the main unit allow for fine adjustments. Clip on covers to the main unit and pullmans complete the installation.

The devices are supplied with non-standard tools for convenience, and adjustable strikers with packers to ensure continued optimum performance.

Fixing and maintenance instructions must be passed on to the user upon completion of installation.

## Special Applications

For special applications outside those mentioned in this brochure please contact technical support who will be able to advise and assist with product selection for non-standard installations.

## Technical Support

If you have any queries regarding Briton exit devices and product selection please call our technical support department who will be pleased to offer assistance on any aspect of our literature including queries on:

- Product selection
- Advice on installation
- Trouble shooting
- Ancillary products and spare parts.

For further details call the Technical Support team on FREEPHONE 0800 834102

## Maintenance

Panic exit hardware plays a vital role in the buildings escape route, and it is important that these devices are inspected and maintained properly to ensure safety at all times.

As recommended in EN 1125 the following routine maintenance checks should be undertaken at intervals of not more than 1 month by the occupier or his approved representative:

- Inspect and operate the panic exit device to ensure all components are in satisfactory working condition
- Ensure that strikers are free from obstruction

## Supply & Quotations

The Briton 560 and Briton 570 series is available through a nationwide network of architectural ironmongers and builder's merchants. For your local stockist please contact the Customer Contact Centre on 08706 012 012 (calls may be recorded for training purposes).

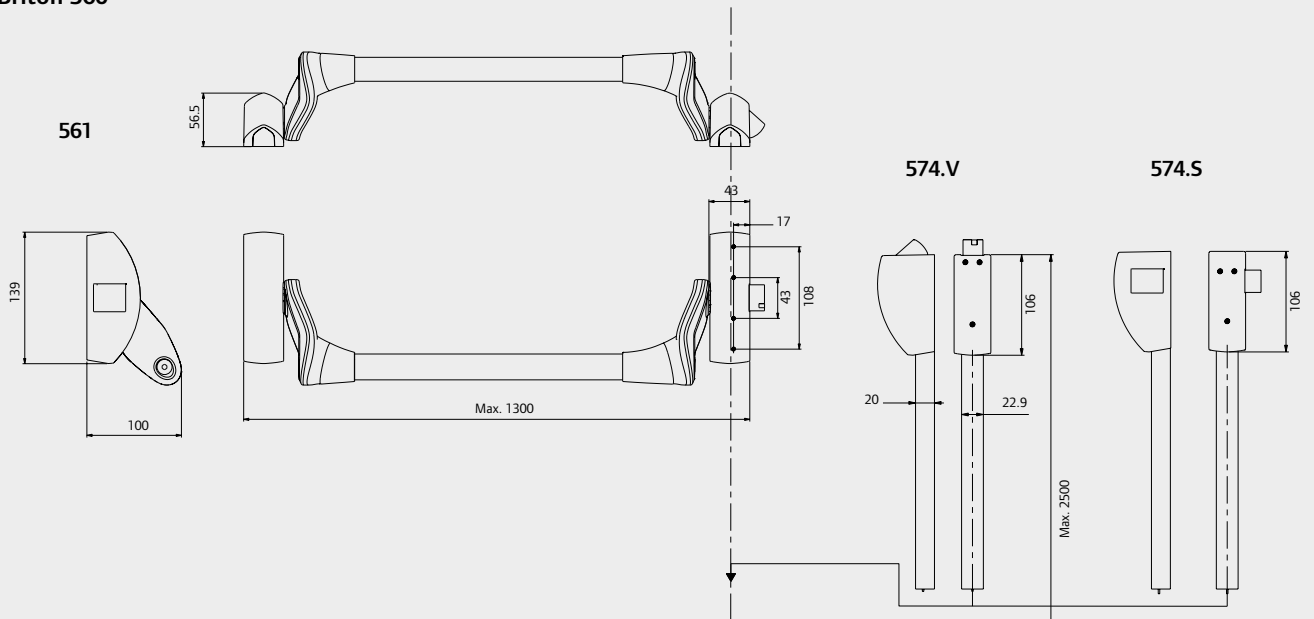
## Other Briton Products

Other products to EN 1125 include the Briton 376 Series of panic and emergency exit hardware. Please contact the Customer Contact Centre on 08706 012 012 for further details.

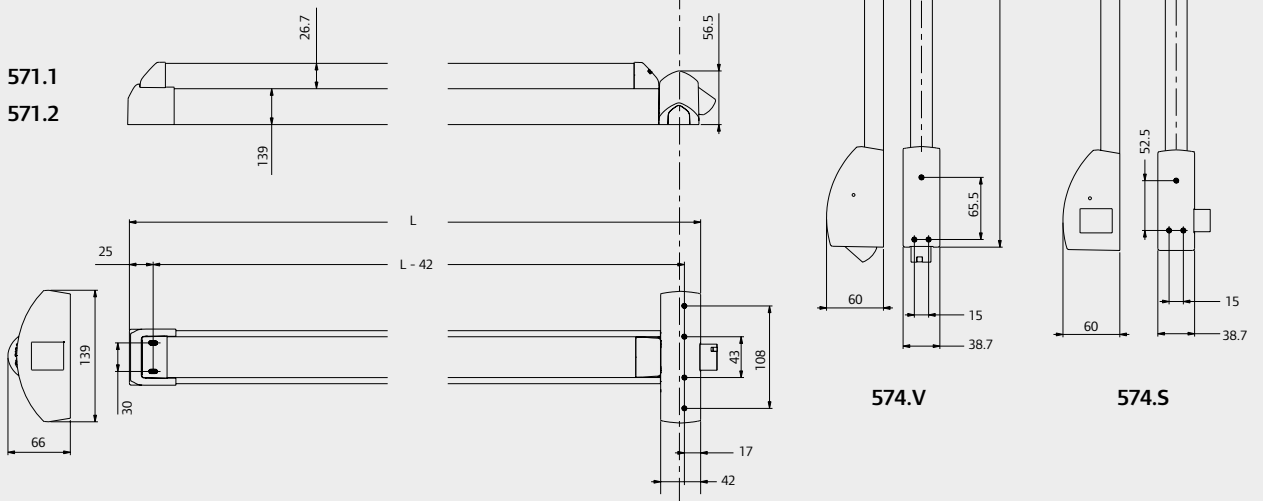


# Dimensions

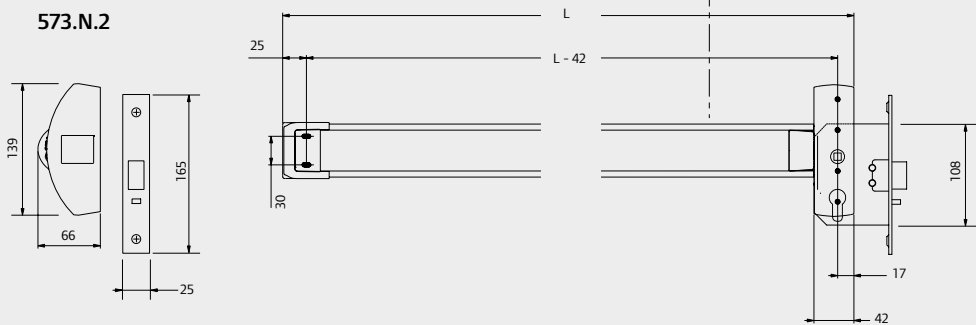
## Briton 560



## Briton 570



## 573.N.1 573.N.2



Key:  
L= 1200mm or 840mm



*Ingersoll Rand Security Technologies is a leading global provider of products and services that make environments safe, secure and productive. The sector's market-leading products include electronic and biometric access control systems; time & attendance and personnel scheduling systems; mechanical locks and portable security; door controls, exit devices and architectural hardware; performance steel doorsets and automated openings; and other technologies and services for global security markets.*

**Ingersoll Rand Security Technologies**

Bescot Crescent Walsall West Midlands WS1 4DL

Tel. 01922 707400 Customer Care Centre Tel. 08706 012012 Customer Care Centre Fax. 0800 834103

Email [info@ingersollrand.co.uk](mailto:info@ingersollrand.co.uk) Web [ingersollrand.co.uk](http://ingersollrand.co.uk)

*Whilst Ingersoll Rand Security Technologies has taken every care to ensure the accuracy of information, data or advice contained in this literature, no liability in respect of such information or advice, whether given negligently or not, can be accepted by the company. Ingersoll Rand retains the right to amend the technical specification of any range of equipment shown without prior notice.*