



311 Otterson Drive, Suite 10
Chico, CA 95928
800.497.2003 Fax 530.893.1560
www.SafePathProducts.com

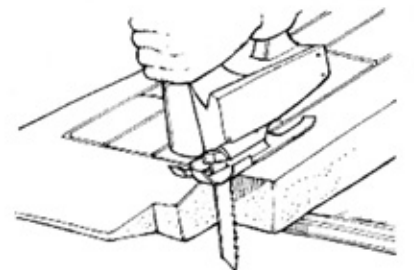
EntryLevel™ Landing Installation Instructions

1. It is imperative that your substrate is **CLEAN & FREE OF DEBRIS** before beginning installation. A clean, dry substrate ensures maximum adhesion.
2. Dry fit the product by placing it flush against the threshold according to the product map included with your order.
3. Use painter's tape to outline the ramp.
4. Remove ramp.
5. Generously apply adhesive (we strongly recommend SikaFlex 1a brand adhesive). For best results, apply with a caulking gun, then use a notched cement/grout hand trowel to spread evenly.
6. Replace ramp onto adhesive surface.
7. Apply pressure to each ramp piece directly after it is put into place with adhesive.
8. After all ramp pieces are in place with adhesive, carefully remove painter's tape.



9. Excess adhesive can be cleaned from the substrate or product by applying acetone or paint thinner.

****Note: Excess adhesive will stain clothing, shoes and carpet - immediately clean any excess.****

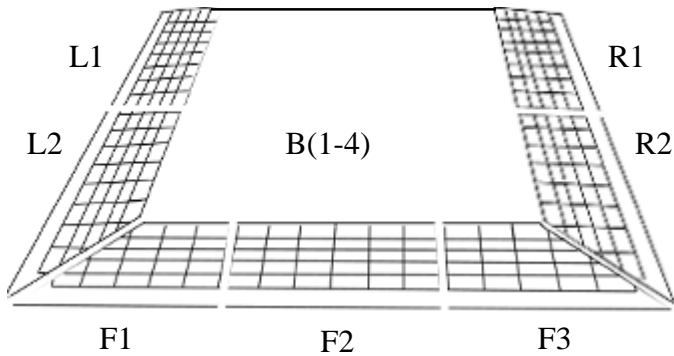


WARNING

DO NOT use a power circular saw to cut ramp product.
The use of any electrical, battery, or pneumatic powered circular saw may result in serious injury due to unexpected binding, grabbing, or pinching of ramp material.



Entry Level Landings Installation Guide

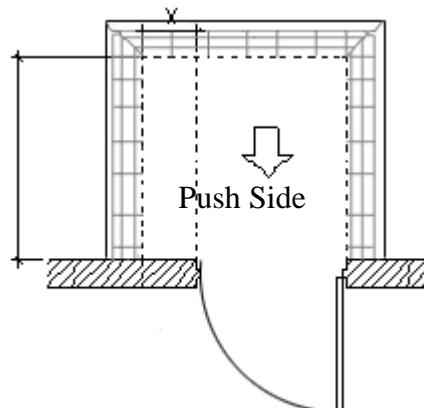
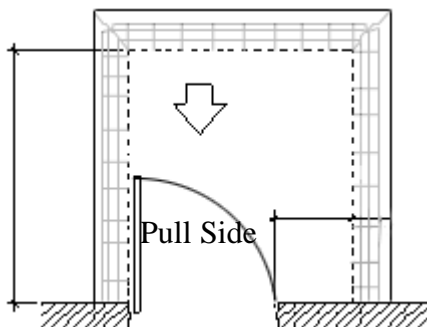


1. Identify all sections of landing corresponding to the image
2. Make sure you have every piece in the diagram

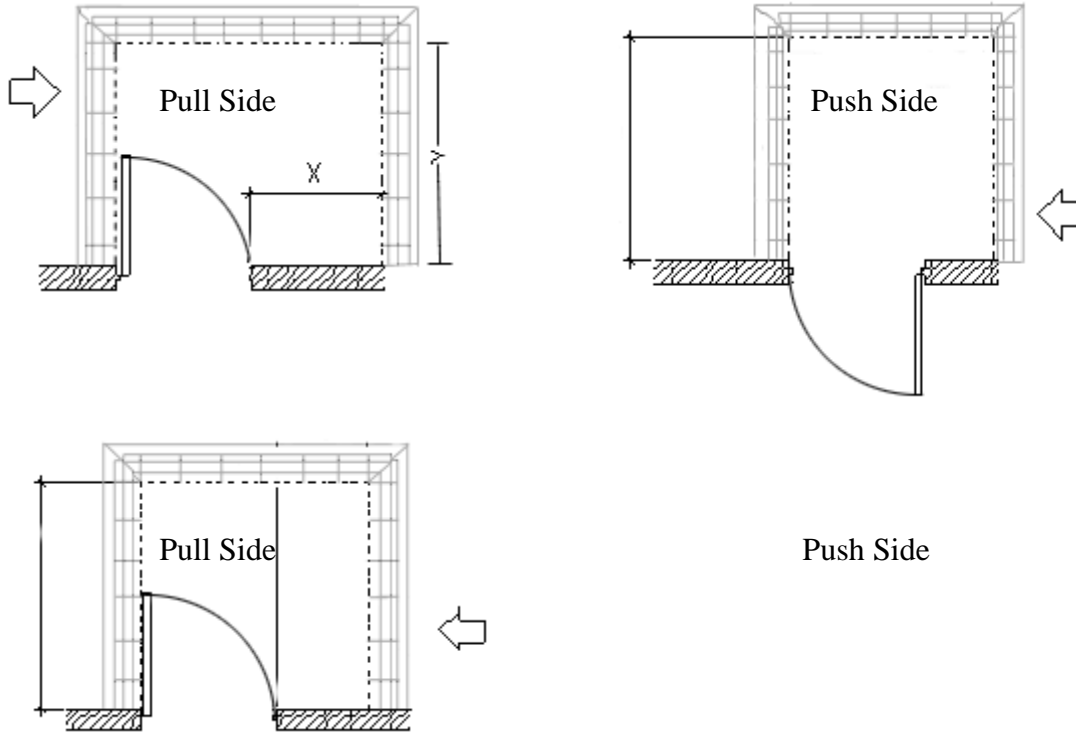
3. Begin by cleaning the ground with soap, water and a broom. Allow to dry before application.

4. Determine the position of each landing based off of the door type, path of travel etc.

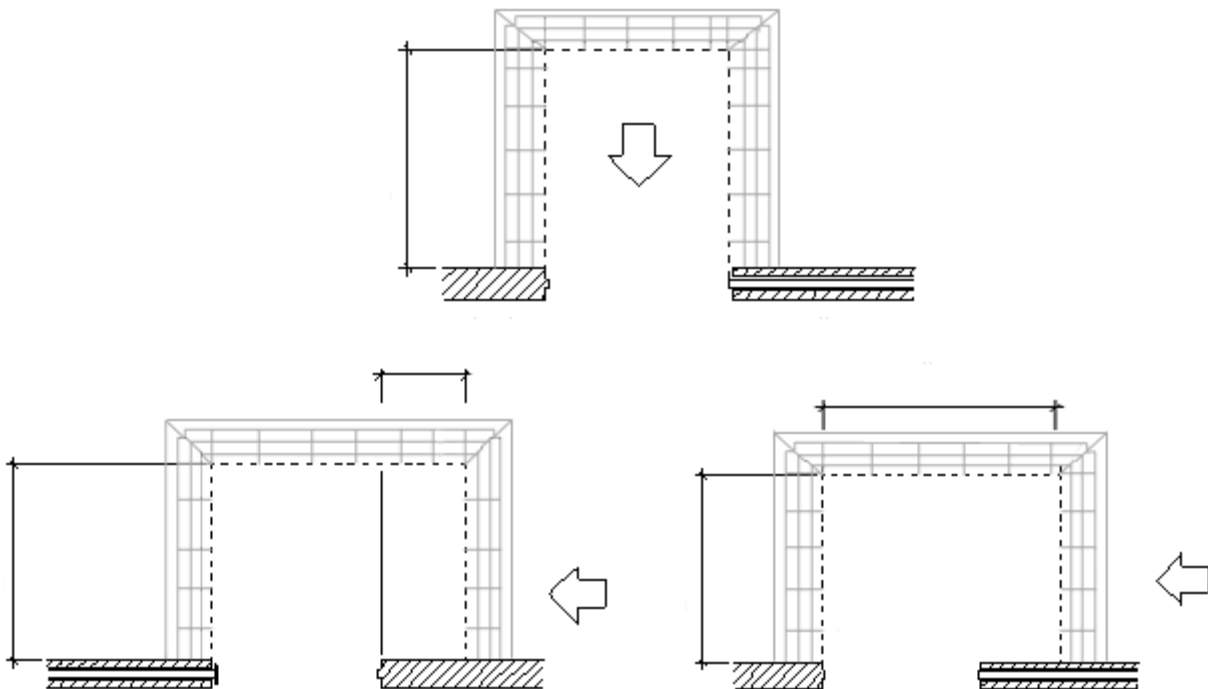
-For help determining how to choose and position the landing for your specific door type and path of travel, refer to the list of door types below (path of travel is indicated with arrows). In this section the proper measurements for your door type will be illustrated. Once you have determined the proper installation position for your doors, continue to step 5.

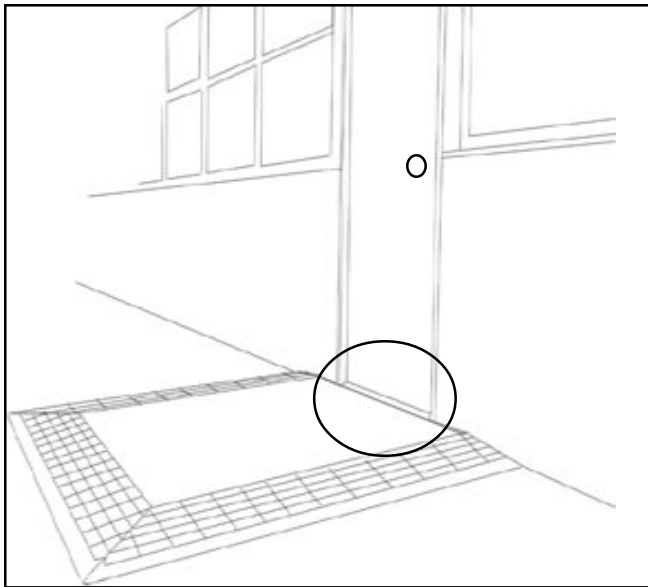


Arrows indicate path of travel

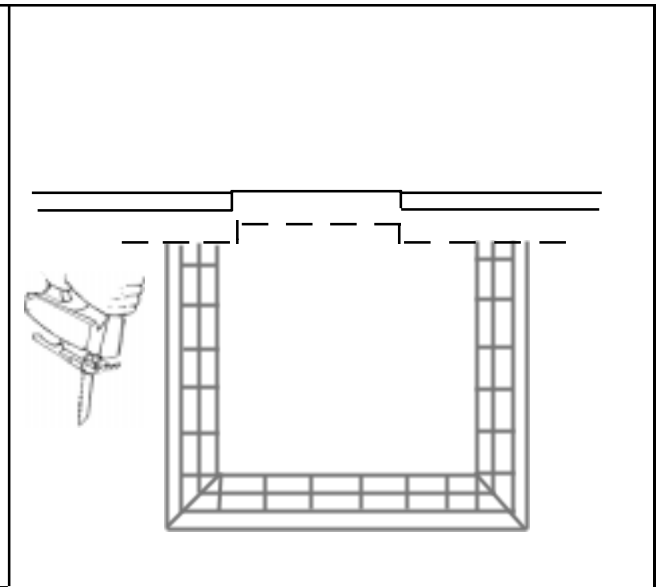


Sliding Doors

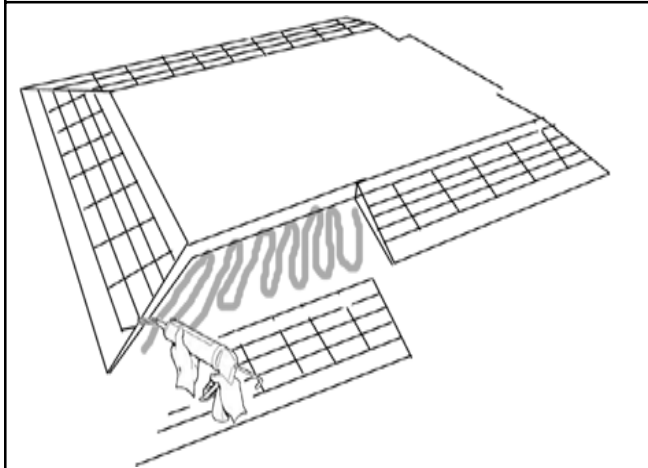




5. Dry fit each section together as seen in figure



6. The back of the landing may need to be cut or notched to fit the doorway (see details on figure 2B) if required than use a jig saw to cut the proper pattern



7. Once all the sections have been properly positioned, begin glueing them in place.

-Lift one section at a time, then lay glue down in a tight zig zag pattern

-Be sure not to use too much glue near the seems or edges as this will cause glue to ooze out of the cracks

Double Doors

