

Juno®

Step Lighting

For indoor and outdoor, stair and pathway applications





Lighting your way...

Table of Contents



Mini LED Step Lights

p. 4-9



Performance LED Step Lights

p. 10-11



LED Step Lights

p. 12-13



CFL Step Lights

p. 14-15



Incandescent Step Lights

p. 16-17



UL Listed for use in wet location.

IP65 International Protection Rating classifying the degree of protection against the intrusion of solid objects, dust, accidental contact, and water in electrical enclosures.



ADA Compliant when used in indoor and outdoor wall applications.





Juno® Step Lights offer safety, security and style

The Juno Step Light product line provides all the safety and security you expect in low-level lighting applications with an advanced sense of style.

Juno Step Lights are available for all your step and pathway lighting needs, from indoor to outdoor environments, from general to high-performance installations. The Juno Mini LED Step Lights offer a level of aesthetics and style never before available in the category. Beautiful and unique, these exquisite fixtures are no bigger than a standard switch plate and feature apertures that are just one-inch square.

Whether your application is high performance or high style, the Juno Step Light family delivers maximum durability, functionality and economy, with light sources tailored to your exact requirements. Most fixtures are offered with state of the art LED technology that provide exceptional energy savings and – thanks to their 50,000 hour service life – greatly reduced maintenance costs. Several fixtures are available with economical CFL or incandescent lamps.

Juno Step Lights are beautifully finished and are certain to make a lasting impression. All are designed and engineered for optimum quality and performance.

With a broad range of styles, trims, and specifications to choose from, you are sure to find the perfect fixture to light your way.

Juno LED Step Lights ... the all around performers

.....

Juno LED Step Lights are an energy efficient, virtually maintenance-free solution for indoor and outdoor low-level lighting. They produce high-quality light with low power consumption, are rated to last a remarkable 50,000 hours and backed by a limited 5-year warranty. LEDs contain no toxic lead or mercury, and provide no harmful ultraviolet or infrared wavelengths, making them the ideal eco-friendly solution.

 50,000 hour rated
service life



A Growing Offering of LED Step Lighting

Juno now offers a variety of options when it comes to LED step lighting. Choose from the Mini LED, Performance LED, or standard Indoor/Outdoor LED Step Lights. Each provides superior efficiency and energy savings with a unique style to complement virtually any décor.

Mini LED Step Lights



Performance LED Step Lights



Indoor LED Step Lights



Indoor/Outdoor LED Step Light





Juno Mini LED Step Lights make a big impression

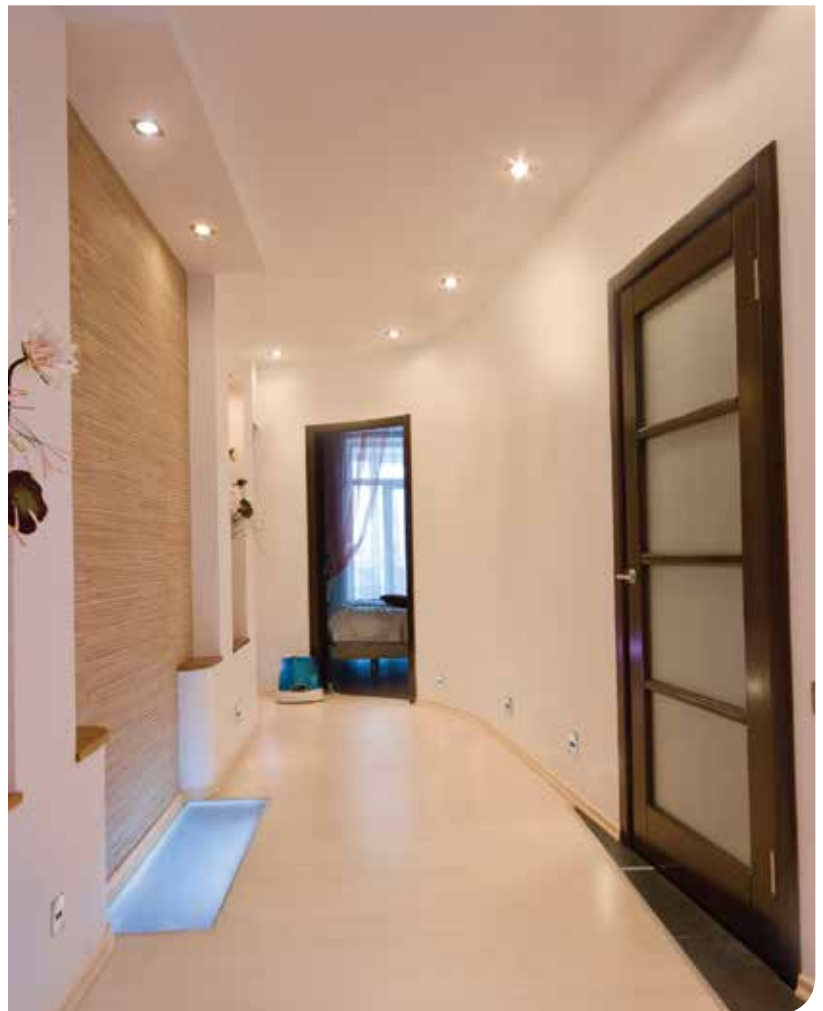
For such a small fixture, Juno Mini LED Step Lights make a big impression. These architectural grade fixtures are about the size of a standard switch plate with an approximate aperture size of one-inch square, creating a unique, high-style appearance that blends seamlessly into its environment. An array of beautiful finishes completes the package. With their trendsetting design, extraordinary energy efficiency and long service life, Juno Mini LED Step Lights represent the new standard in upscale low-level lighting.

Shown in actual size



The perfect, **low-profile** lighting solution for virtually any application







The ultimate **versatility** in design

A little light goes a long way. The compact, unique and modular construction of the Juno Mini LED Step Lights provides solutions for a diverse number of applications. The IC-rated, all-in-one design includes the 3W LED light engine, 120-volt dimmable driver, optic and decorative face plate that all mount directly to a standard 2" x 4" junction box. Choose from four distinct optic designs and a selection of high-quality finishes.



Delivering modular flexibility for **vertical** or **horizontal** installations

Juno Mini LED Step Lights can be mounted in the wall either vertically or horizontally (shipped from the factory in the vertical position). Fixture orientation can be easily changed by simply removing the optic, rotating the mounting plate and re-installing in the horizontal orientation. The face plate easily attaches to the back plate with a single set screw. Juno Mini LED Step Lights provide unsurpassed flexibility for virtually any installation.





Performance Optics

Flexible options to meet your needs

Four striking optical designs satisfy a variety of illumination and aesthetic requirements.

All four optics create a one-of-a-kind lighting effect – ranging from a subtle pool of accent lighting to wide distributions ideally suited for steps and pathways. Juno Mini LED Step Lights are adaptable to a variety of low level applications.

Marker



The opal lens produces an attractive glow ideal for marking corridors or pathways.

Hood



Casts a pleasant pool of light at floor level while eliminating glare - ideal for theatre or auditorium lighting.

Cutoff



Balances low glare with a wide light pattern for steps and pathway lighting.

Louver



Integral louver provides superior shielding, making it an excellent choice for step lighting and other low level applications.



Outdoor/Wet Location Mini LED Step Lights

IP65



Specially designed to resist the elements

Constructed of high-quality, die-cast aluminum, the LMSW Series of Outdoor/Wet Location Mini IC-Rated LED Step Lights provides long lasting performance in many wet location applications. Designed to mount directly in standard 2"x4" (2-1/8" minimum depth) or 4"x4" (1-1/2" minimum depth) junction boxes.



- A. Gasket** protects the junction box from intrusion of water and contaminants.
- B. Light Engine Driver** features a diffused lens (not shown) that protects the LED against water infiltration. Accepts 120V input and is dimmable with reverse phase electronic low-voltage dimmers.
- C. O-rings** prevent water seepage around the screws.
- D. Drain Slot** guides water away from the fixture without compromising aesthetics.
- E. Decorative Faceplate with Corrosion-Resistant Finish** preserves the appearance for years of use. Field adjustable in horizontal or vertical orientation.
- F. Four optic choices** are available.

Finishes



Juno Mini LED Step Lights are available for both indoor and outdoor applications. High-quality indoor finishes include plated bronze and satin nickel; outdoor/wet location units are finished with corrosion-resistant textured bronze or silver for superior durability. All fixtures are also available in white or black.

Indoor (LMS) finishes

Shown in vertical orientation



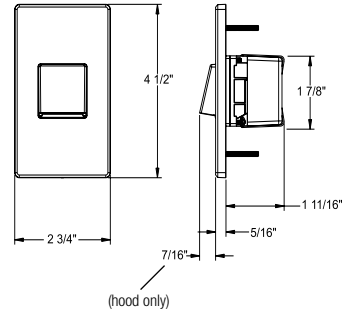
Black, Textured

White, Textured

Satin Nickel, Plated

Bronze, Plated

Dimensions:



LMS – Indoor
(Shown in vertical orientation)

IP65



Outdoor/Wet Location (LMSW) finishes

Shown in horizontal orientation



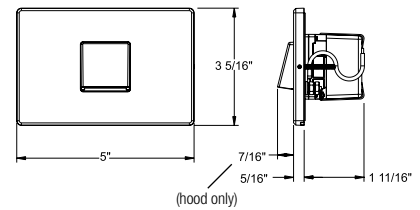
Black, Textured

White, Textured

Silver, Textured

Bronze, Textured

Dimensions:



LMSW – Wet Location
(Shown in horizontal orientation)

Ordering Information



Ordering Example: **LMS-3K-C-BL, LMSW-41K-L-SR**

Catalog #	Color Temperature	Optics	Finishes
LMS - Indoor LMSW - Wet Location	3K - 3000K 41K - 4100K	C - Cutoff L - Louver H - Hood M - Marker	Indoor: BL - Black, Textured WH - White, Textured SN - Satin Nickel, Plated BZ - Bronze, Plated Wet Location: BL - Black, Textured WH - White, Textured SR - Silver, Textured BZ - Bronze, Textured





Step-up to Juno Performance LED Step Lights

IP65




The outdoor-rated Juno Performance LED Step Lights are the perfect combination of aesthetic fixture design and optimum illumination performance. These architectural-grade fixtures feature sleek, low-profile trims, attractively finished in corrosion-resistant, textured paint. Trims and matching hardware are available in black, white, silver, and bronze.

Nine LEDs produce up to 300 lumens per fixture from just 13-watts input, while the cutoff-style trim incorporates baffle steps that project wide illumination patterns ideally suited to steps and pathways. With exceptional energy efficiency and long service life, Juno Performance LED Step Lights are the eco-friendly choice for a variety of low-level illumination applications.

The unique all-in-one power module mounts directly to the cast aluminum trim and includes the LED light engine and 120-volt, non-dimming driver. The housing is independent of the trim and can be ordered separately, allowing it to be used for rough-in while the trim remains protected until the final stage of construction. The all-in-one power module can also be used to easily retrofit Juno PL115 CFL outdoor-rated step lights for LED operation.

Juno Performance LED Step Lights are rated for outdoor and indoor wall mount installations, including concrete pour, brick masonry, or dry wall. The IC-housings utilize gaskets to achieve wet location and IP65 ratings.

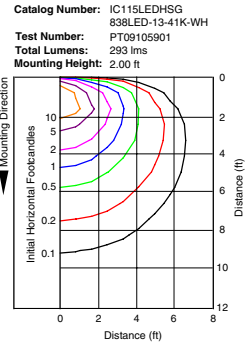
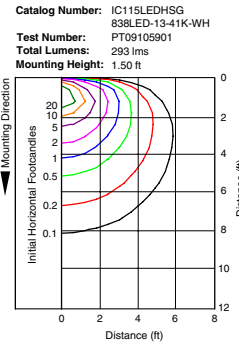
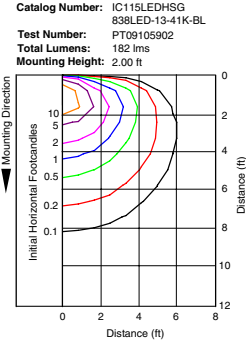
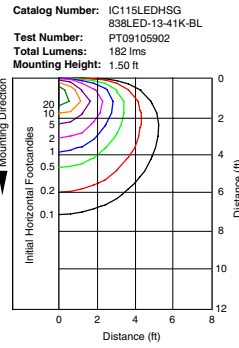
 Energy efficient, long service life and eco-friendly



Performance

The clean, low profile Performance LED step light is aesthetically pleasing during the day and delivers exceptional performance at night.

- Low profile trim with baffle steps produces wide illumination patterns and minimizes glare
- LEDs are concealed from direct view with a matte textured diffuser
- Fixture produces up to 300 lumens with nominal 13W power consumption
- 3000K or 4100K color temperature available



Finishes



Black



White



Silver



Bronze

Ordering Information

Housing and power module trim each ordered separately.

Ordering Example: **IC115LEDHSG**

Back Housing

IC115LEDHSG

IC115LEDHSG



Ordering Example: **838LED-13-41K-BL**

Power Module
Trim

Wattage

Color Temperature

Finish

838LED

13

13
13W

3K
3000K
41K
4100K

BL
Black Textured

WH
White Textured

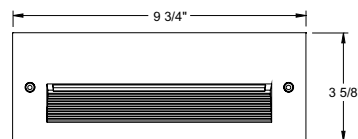
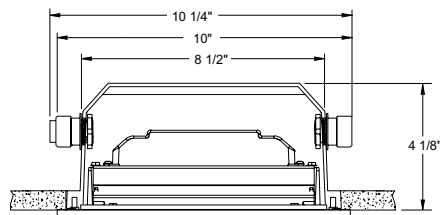
SR
Silver Textured

BZ
Bronze Textured



Trim Size: 9-3/4" L x 3-5/8" H

Dimensions:



Wall Cutout: 9" x 3"





Indoor and Outdoor Rated LED Step Lights

Juno's LED step lights provide an energy efficient solution for low level lighting in indoor or outdoor applications. Consuming just 6 watts of power, these LED step lights use less energy than the comparable incandescent and fluorescent versions and are compatible with standard trims.



Indoor Rated LED Step/Night Light

The Indoor LED step/night light is rated for use in indoor wall or ceiling mount drywall applications. Two trims are available; one featuring a diffuse-glass lens for even light distribution, and the other with louvers that reduce glare and provide a softer lighting effect.

- Dedicated LED housing ships complete with LED light engine and 120-volt non-dimming driver
- Recessed housing is IC rated and can be completely covered with insulation
- Real Nail® 3 Bar Hangers for quick housing placement
- 3000K or 4100K color temperature available

Ordering Information

Housing and trim each ordered separately.

Ordering Example: **IC113LED-3K**

Housing Color Temperature

IC113LED



3K
3000K

41K
4100K

Trim Size: 9-9/16" L x 4-7/8" H

Ordering Example: **840-WH**

Trim Description

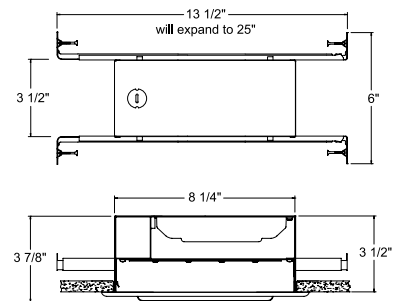


104-WH
Diffuse Glass Lens,
White Trim



840-WH
Angled Louvers,
White Trim

Dimensions:



Cutout: 8-3/4" x 3-3/4"





Outdoor Rated LED Step Light

The Outdoor LED step light is rated for use in outdoor or indoor wall mount applications including concrete pour, brick masonry or drywall. Trims are cast aluminum and are offered in opal lens, grill, and louver designs.

- Die cast aluminum housing is IC rated and is gasketed for wet locations
- Back housing ships separately from power module for rough-in purposes
- Power module assembly with LED light engine and 120-volt non-dimming driver mounted directly to metal tray for ease of installation into housing
- 3000K or 4100K color temperature available



Ordering Information

Housing, power module and trim each ordered separately.

Ordering Example: IC115LEDHSG

Back Housing

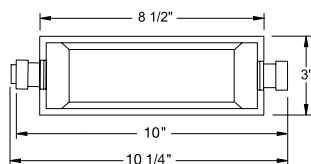
IC115LEDHSG

IC115LEDHSG



Trim Size: 9-3/4" L x 3-5/8" H

Dimensions:



Ordering Example: IC115LEDPM-3K

Power Module

Color Temperature

IC115LEDPM

IC115LEDPM

3K 3000K

41K 4100K



Ordering Example: 835-WH

Trim/ Description



835-WH Full Opal Lens - White

835-BL Full Opal Lens - Black



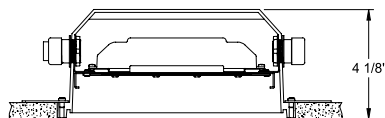
836-WH Opal Lens with Grill - White

836-BL Opal Lens with Grill - Black



837-WH Opal Lens with Angled Louvers- White


837-BL Opal Lens with Angled Louvers- Black



Wall Cutout: 9" x 3"

Juno CFL Step Lights ... energy efficient & economical

Juno CFL Step Lights integrate the economy and energy efficiency of compact fluorescent lamps into a high-quality step light fixture. Approved for both indoor and outdoor applications, these fixtures offer two trim choices for indoor use, three trims for outdoors. The rugged outdoor units feature a die cast aluminum back housing that is gasketed for wet locations and rated for concrete pour, brick masonry or drywall applications.

 Uses 50-80%
less energy

Indoor Rated CFL Step/Night Light



The Indoor CFL Step/Night Light is rated for use in indoor wall or ceiling mount drywall applications. Trim offering includes diffuse glass lens and louver designs.

- 7W or 9W 2-pin CFL lamp mounts horizontally in fixture
- Includes 120-volt non-dimming ballast
- Recessed housing is IC rated and can be completely covered with insulation
- Real Nail® 3 Bar Hangers for quick housing placement

Ordering Information

Housing and trim each ordered separately.



Ordering Example: **ICPL813**

Housing

ICPL813



ICPL813

Ordering Example: **104-WH**

Trim/ Description



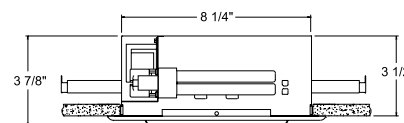
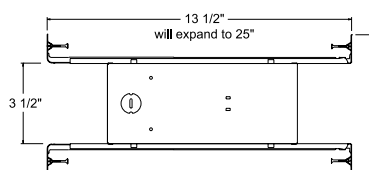
104-WH
Diffuse Glass Lens,
White Trim



840-WH
Angled Louvers,
White Trim

Trim Size: 9-9/16" L x 4-7/8" H

Dimensions:



Wall cutout: 8-3/4" x 3-3/4"

Outdoor Rated CFL Step Light



The Outdoor CFL Step Light is rated for use in concrete pour applications or non-insulated areas. Trims are cast aluminum and offered in opal lens, grill and louver designs.

- 7W or 9W 2-pin CFL lamp mounts horizontally in fixture
- Includes 120-volt non-dimming ballast
- Die cast aluminum housing is gasketed for wet locations

Ordering Information

Housing and trim each ordered separately.



Ordering Example: **PL115**

Housing

PL115



PL115

Ordering Example: **835-WH**

Trim/ Description



835-WH Full Opal Lens - White
835-BL Full Opal Lens - Black



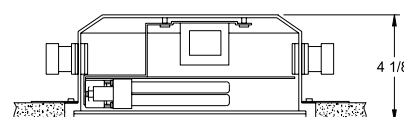
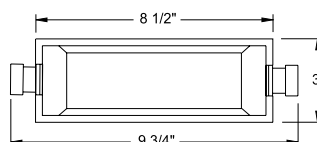
836-WH Opal Lens with Grill - White
836-BL Opal Lens with Grill - Black



837-WH Opal Lens with
Angled Louvers- White
837-BL Opal Lens with
Angled Louvers- Black

Trim Size: 9-3/4" L x 3-5/8" H

Dimensions:



Wall cutout: 8-1/2" x 3"

Juno Incandescent Step Lights

Juno Incandescent Step Lights are a cost-effective option for indoor lighting. With two trims available, one featuring a diffuse lens for even light distribution, and the other with louvers to reduce glare and to provide a softer lighting effect, these step lights suits a variety of applications. Each fixture is equipped with Real Nail® 3 bar hangers and rated for use in insulated or non-insulated areas.

 Cost effective step
lighting position

Incandescent Step Night/Light



The Indoor Incandescent Step/Night Light is rated for use in indoor wall or ceiling mount drywall applications. Trim offering includes diffuse glass lens and louver designs.

- Provided with medium base porcelain socket
- Recessed housing is IC rated and can be completely covered with insulation
- Rated for 25W A19 in insulated, IC applications or 40W A19 in Non-IC
- Real Nail® 3 Bar Hangers for quick housing placement



Ordering Information

Housing and trim each ordered separately.



Ordering Example: **ICTC113**

Housing

ICTC113

ICTC113



Ordering Example: **104-WH**

Trim/ Description



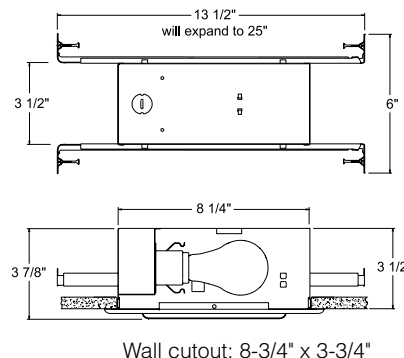
104-WH
Diffuse Glass Lens,
White Trim



840-WH
Angled Louvers,
White Trim

Trim Size: 9-9/16" L x 4-7/8" H
Trim Finish: WH - White

Dimensions:



For Incandescent Night Light Kit that includes housing and louvered trim, order **ICTC113-840WH**

For more information on Juno Step Lighting visit:
www.junolightinggroup.com



Juno[®]
Recessed and Trac Lighting

indy[™]
Architectural Recessed Lighting

AccuLite[®]
Commercial and Industrial Lighting

AcuLux[™]
Precision Recessed Lighting

Navilight[®]
Exit and Emergency Lighting

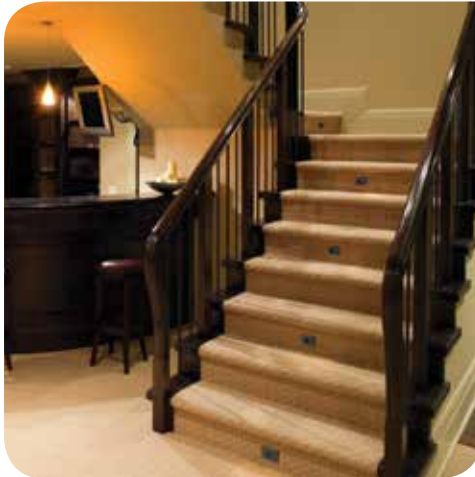
DanaLite[®]
Architectural Linear Lighting



Juno Lighting Group
1300 South Wolf Road
Des Plaines, IL 60018
Ph: 847.827.9880
www.junolightinggroup.com

Regional Offices & Warehouses

California
Illinois
Indiana
Pennsylvania
Texas
Ontario, CN



©2016 Acuity Brands Lighting, Inc. The marks appearing in this catalog are trademarks of Acuity Brands Lighting, Inc. Products shown in this brochure may be covered by U.S. and international patents and patents pending. Specifications subject to change without notice.

Printed in the U.S.A. LIT-JUNO-STEPS 4/2016