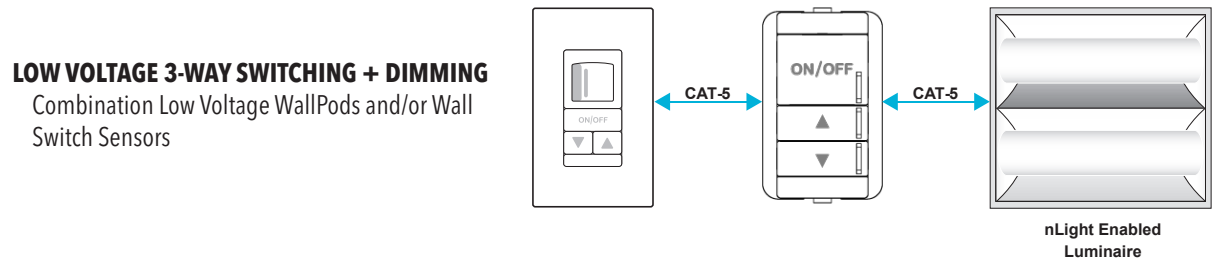
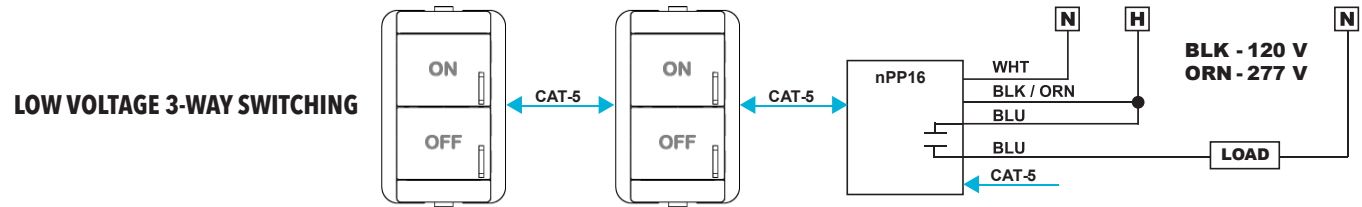
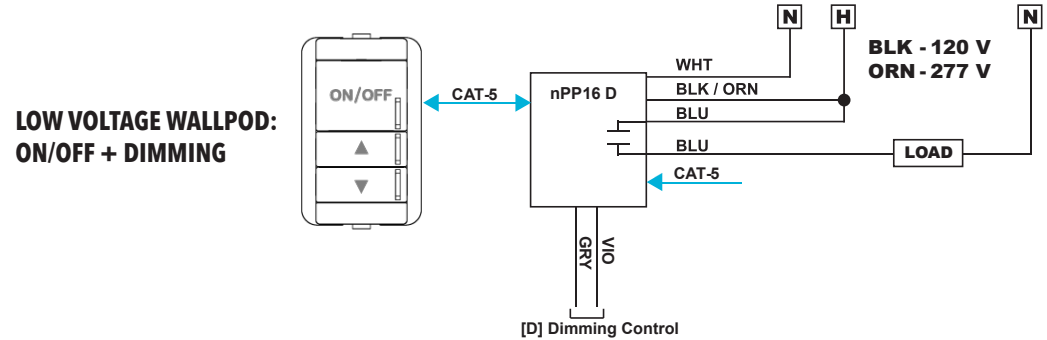
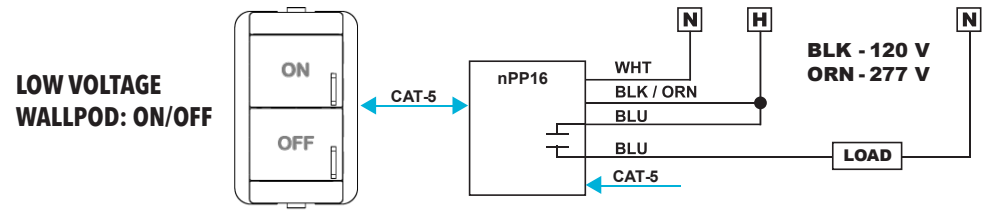
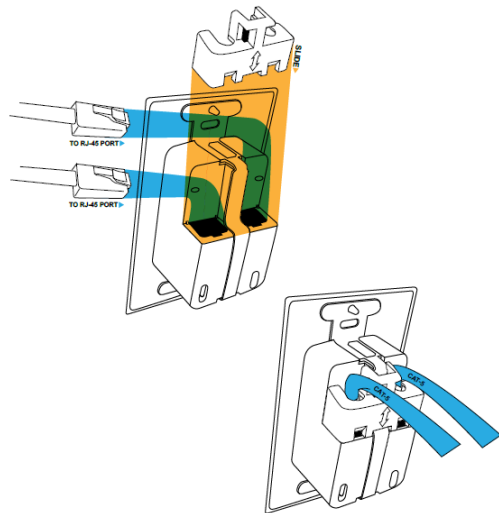


# Installation

- Mount WallPod using holes that align with standard single gang switch box or low voltage ring
- Access RJ-45 ports by sliding plastic guard up
- Insert CAT-5e cable(s), T568B wiring convention recommended
- Slide guard back onto metal strap
- Interconnect unit with other nLight devices in lighting zone using CAT-5e cables
- Once power is received via CAT-5e connection, all devices in zone will automatically begin functioning together according to respective device's defaults



## PROGRAMMING

Refer to included instruction card for default settings and directions on programming the sensor via the push-button.