



# INSTALLATION INSTRUCTIONS

## JUNO TL602E SERIES TRANSFORMERS

TL602E-60 12 Volt, 0.5W Min. – 60W Max.

IC RATED FOR INSTALLATION IN INSULATION

### Class 2 Power Limited Output

**WARNING:** For your safety, read and understand instructions completely before starting installation. Before wiring to power supply, turn off electricity at the fuse or circuit breaker box.

**Note:** Juno Low Voltage Power Units are designed to meet the latest NEC requirements and are listed in full compliance with UL 2108. Before attempting installation of any power unit, check your local electrical building code. This code sets the wiring standards and installation requirements for your locality and should be understood before starting work.

## SAVE THESE INSTRUCTIONS

### Installation Instructions

**Step 1.** Remove cover and mount transformer assembly at desired location (2 wood screws provided with product if needed.)

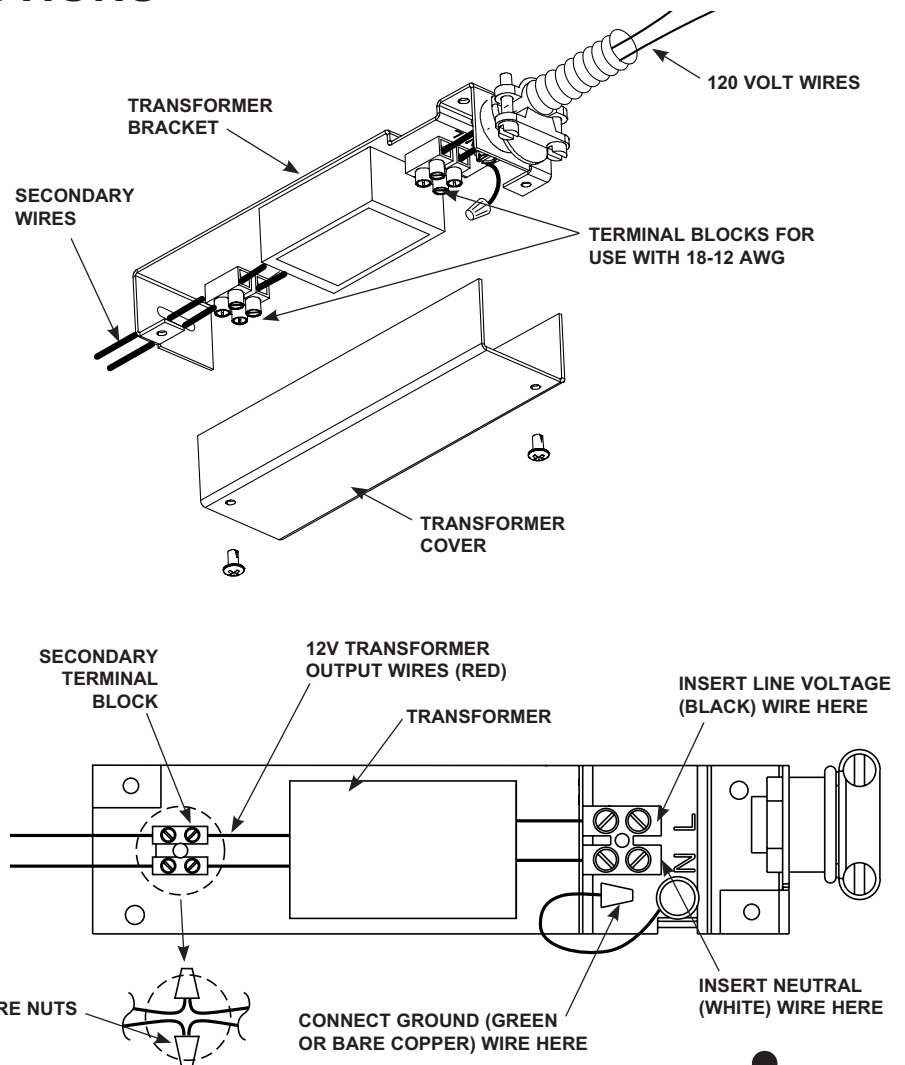
**Step 2.** Attach 120V supply to open end of bracket with 3/8" conduit fitting provided. Insert line voltage wire into terminal marked "L". Tighten set screw to a torque of 4 in-lb minimum. Insert neutral wire into terminal marked "N". Tighten set screw to a torque of 4 in-lb minimum. Connect ground wire (if applicable) to green ground wire using wire nut provided.

**Step 3.** Route 12V Class 2 secondary wiring through open slot in bracket at end opposite 3/8" conduit fitting. Attach secondary wiring to transformer assembly using terminal block provided. Secondary wiring is not polarized. Insert one secondary wire into each terminal and tighten both set screws to a torque of 4 in-lb minimum. Code compliant wire nuts may also be used in place of the terminal block.

**Step 4.** Secondary terminations must be positioned as shown adjacent to the transformer at the end opposite the primary 120V wiring connections.

**Step 5.** Reinstall cover. Fully tighten cover screws.

**Step 6.** Re-energize circuit at breaker box after secondary device wiring is completed.



### WARRANTY

Juno Lighting Group warrants that its products are free from defects in material and workmanship for three years from date of purchase. Juno Lighting Group's obligation is expressly limited to repair or replacement, without charge, at Juno Lighting Group's factory after prior written return authorization has been granted. This warranty shall not apply to products which have been altered or repaired outside of Juno Lighting Group's factory. This warranty is in lieu of all other warranties, expressed or implied, and without limiting the generality of the foregoing phrase, excludes any implied warranty of merchantability. Also, there are no warranties which extend beyond the description of the product on the company's literature setting forth terms of sale.



JUNO LIGHTING GROUP  
an AcuityBrands company