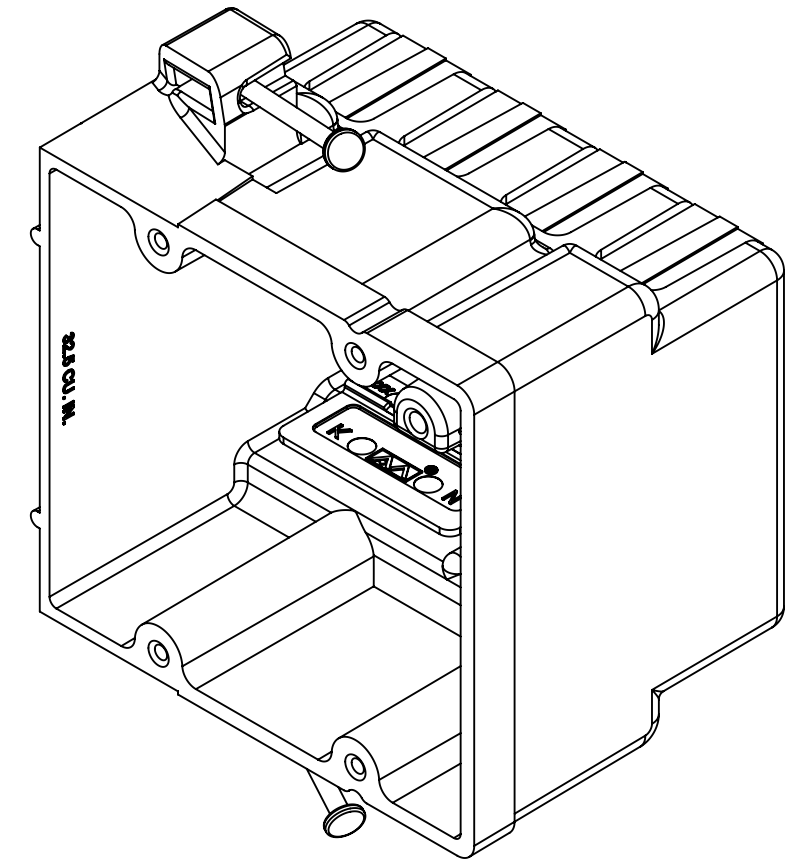
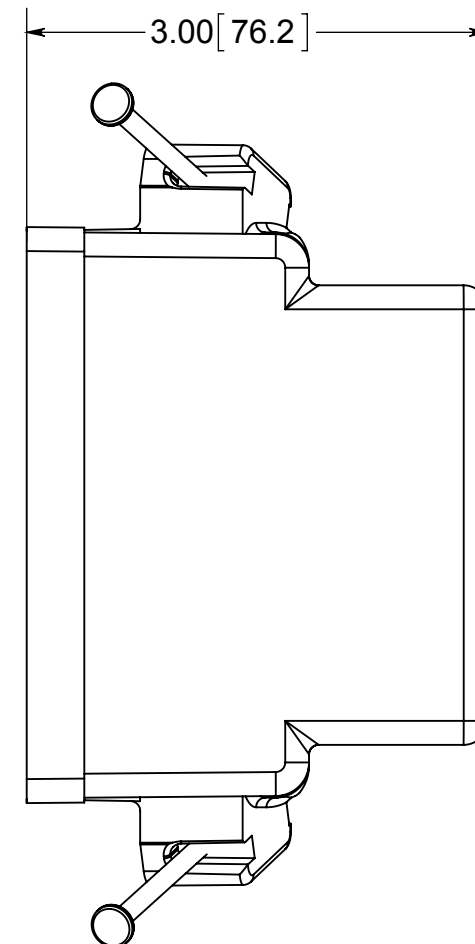
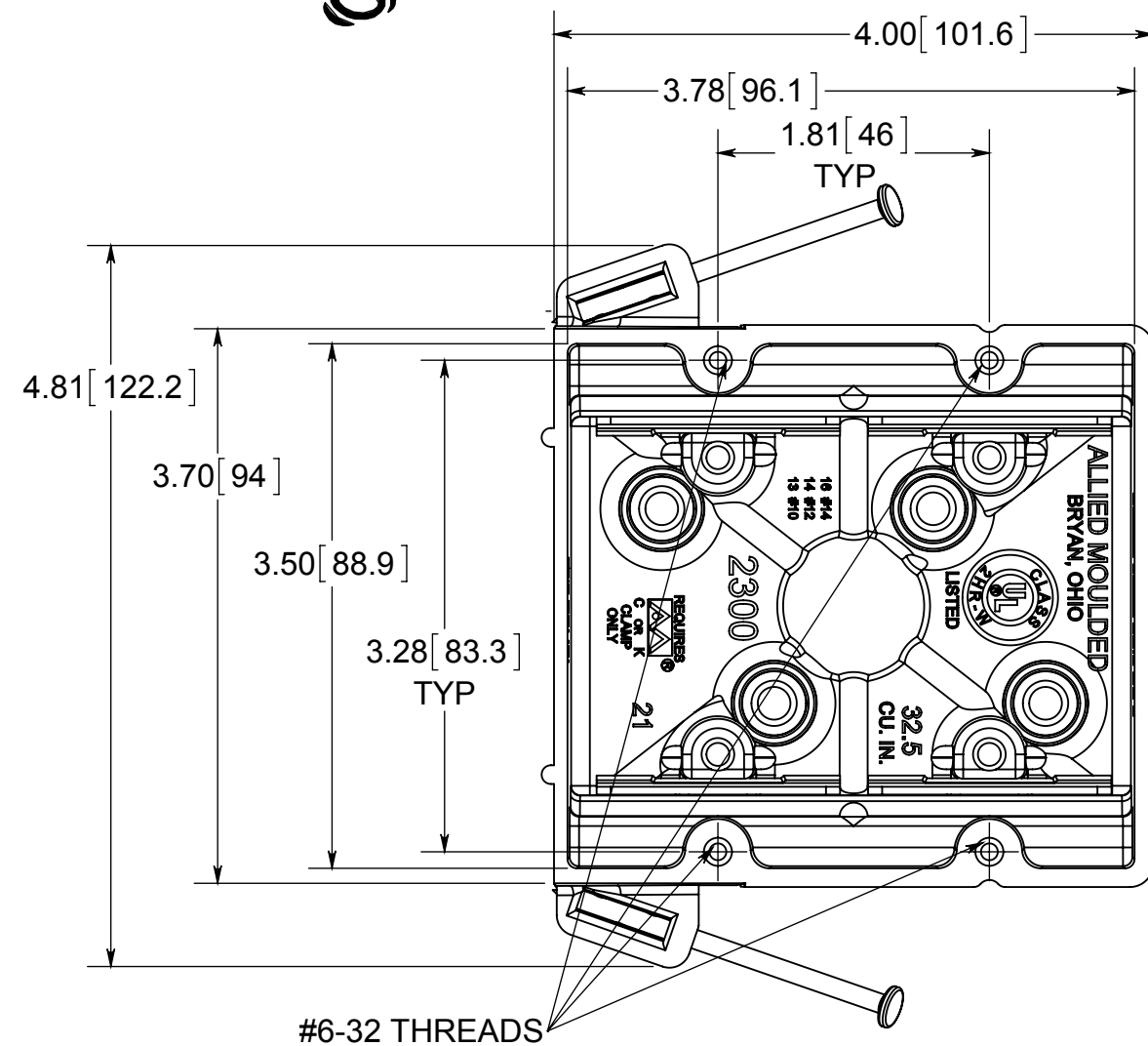
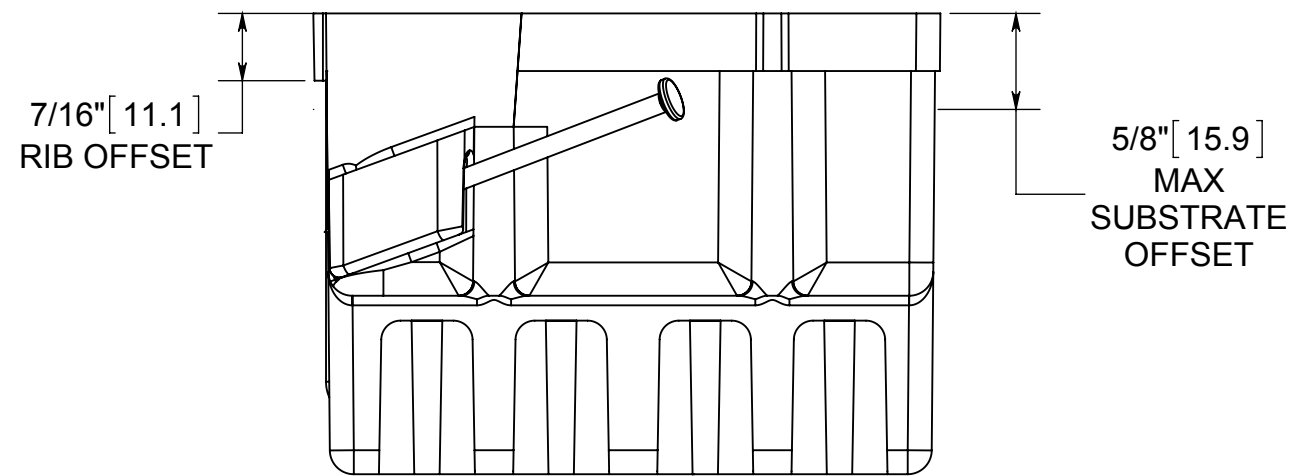


fiberglass BOX™

ISSUE DATE: 12/16/2014



- NOTES:
 1.) BOX MATERIAL: FIBERGLASS REINFORCED POLYESTER, NAIL MATERIAL: PLATED CARBON STEEL, SPEED KLAMP MATERIAL: PVC
 2.) UL LISTED WITH 2 HOUR FIRE RATING FOR WALL AND CEILING
 3.) 4 SPEED KLAMPS FACTORY INSTALLED



 **ALLIED MOULDED PRODUCTS**
 BRYAN, OHIO
 The Original Fiber Glass Outlet Box

PRODUCT SERIES
TWO GANG 32.5 CU.IN.

CONFIDENTIAL
 THIS MATERIAL IS OWNED BY THE ALLIED MOULDED PRODUCTS COMPANY, IS DISCLOSED IN CONFIDENCE, AND IS NOT TO BE REPRODUCED OR DISTRIBUTED WITHOUT PRIOR WRITTEN PERMISSION FROM ALLIED MOULDED PRODUCTS.

Part No.
2300-NK