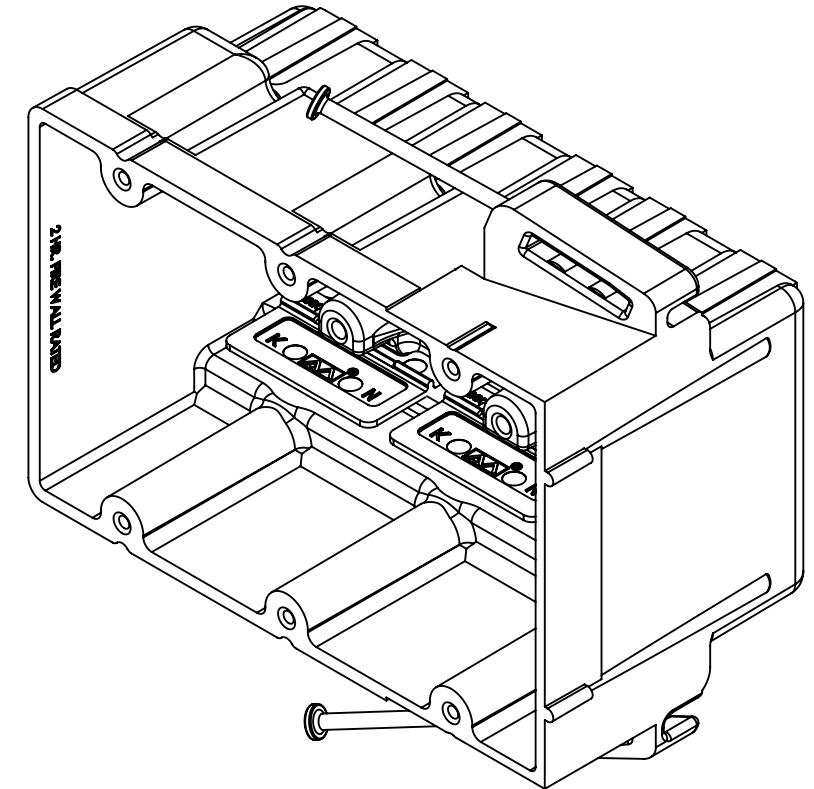
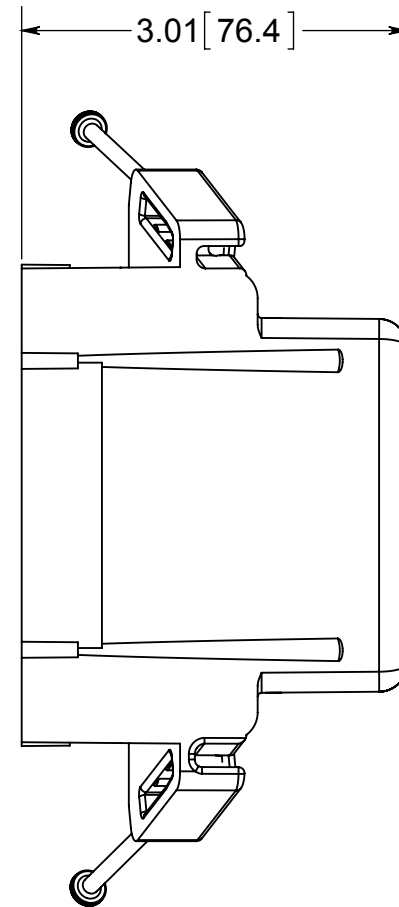
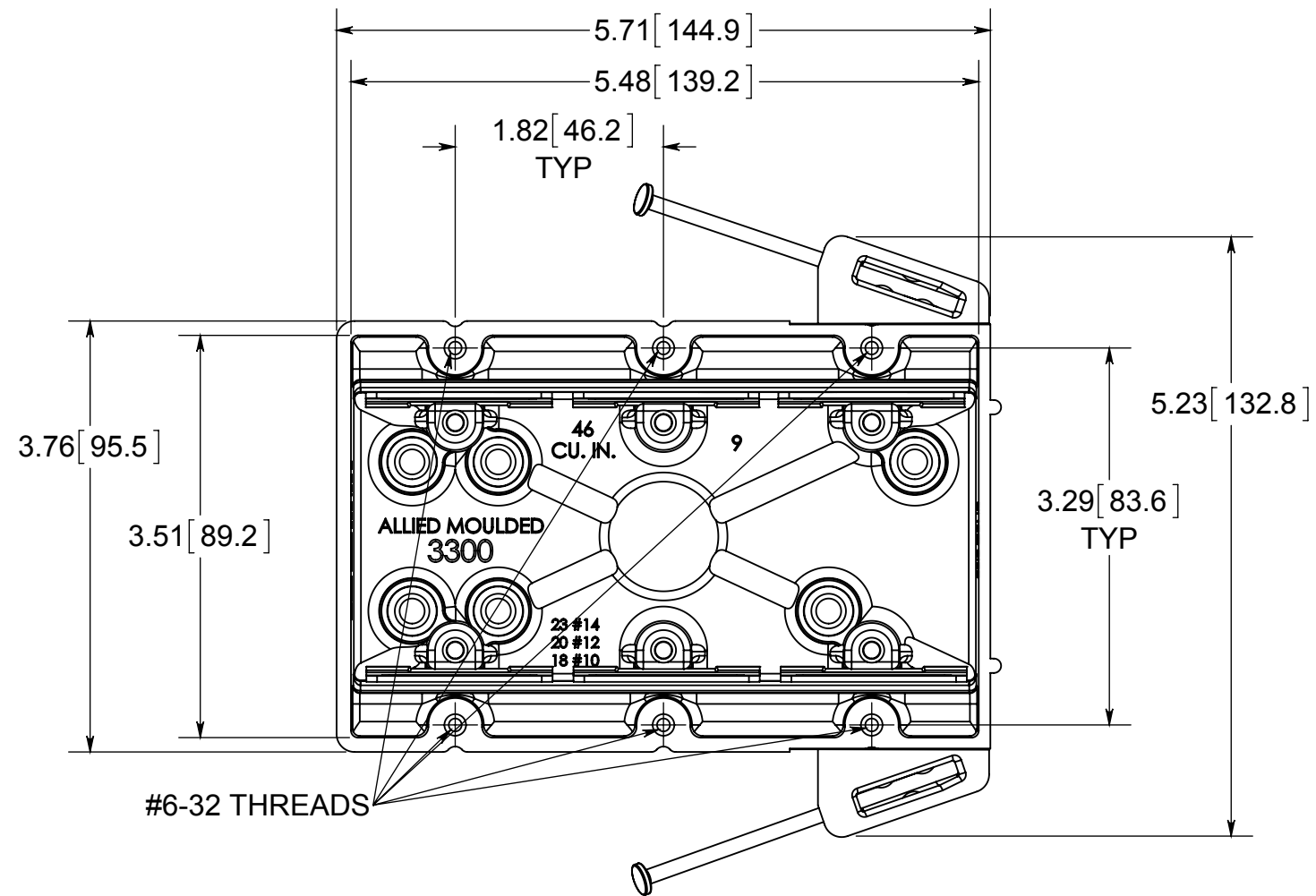
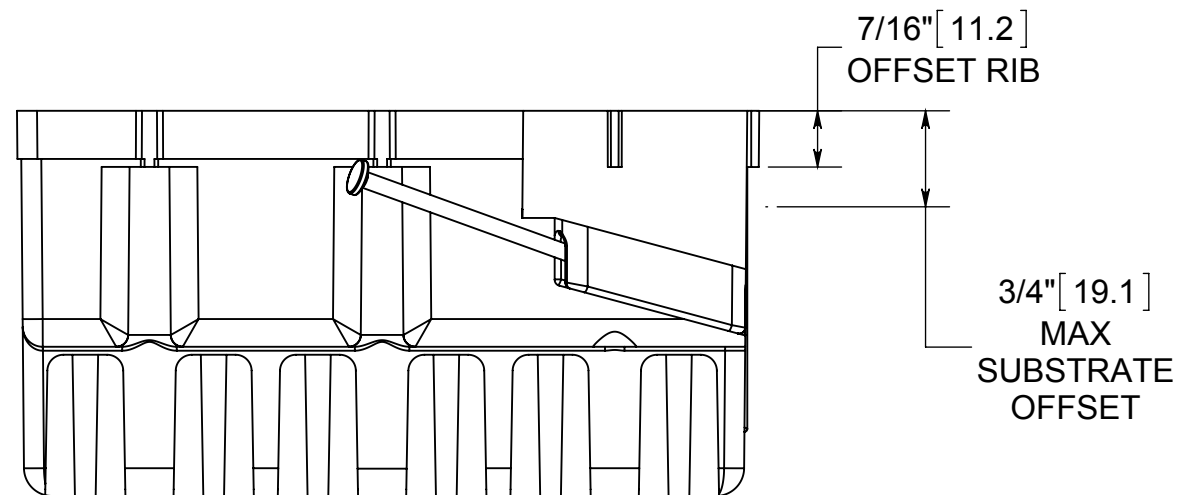


# fiberglass BOX™

ISSUE DATE: 12/17/2014



- NOTES:  
1.) BOX MATERIAL: FIBERGLASS REINFORCED POLYESTER, NAIL MATERIAL: PLATED CARBON STEEL, SPEED KLAMP MATERIAL: PVC  
2.) UL LISTED WITH 2 HOUR FIRE RATING FOR WALL  
3.) 6 SPEED KLAMPS FACTORY INSTALLED



 **ALLIED MOULDED PRODUCTS**  
BRYAN, OHIO  
The Original Fiber Glass Outlet Box

PRODUCT SERIES

THREE GANG 46.0 CU.IN.

Part No.

**3300-NK**

**CONFIDENTIAL**

THIS MATERIAL IS OWNED BY THE ALLIED MOULDED PRODUCTS COMPANY, IS DISCLOSED IN CONFIDENCE, AND IS NOT TO BE REPRODUCED OR DISTRIBUTED WITHOUT PRIOR WRITTEN PERMISSION FROM ALLIED MOULDED PRODUCTS.