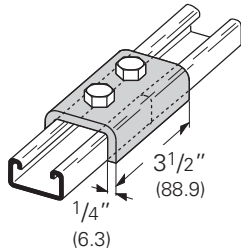


# Clevis Fittings

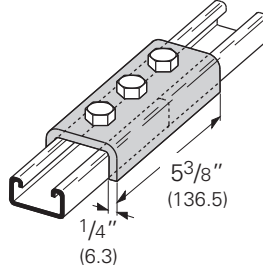
## B169 Two Hole Splice Clevis For B52

- Standard finishes: ZN, GRN
- Wt./C 84 Lbs. (38.1 kg)



## B168 Three Hole Splice Clevis For B52

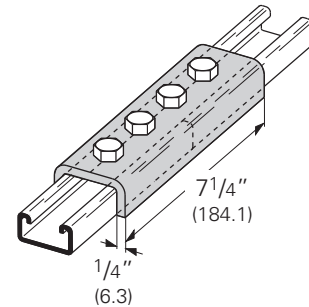
- Standard finishes: ZN, GRN
- Wt./C 126 Lbs. (57.1 kg)



## B167 Four Hole Splice Clevis For B52

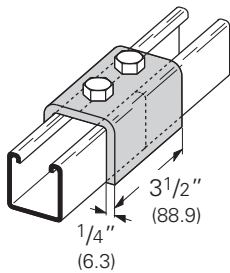
- Standard finishes: ZN, GRN
- Wt./C 178 Lbs. (80.7 kg)

PA GRN



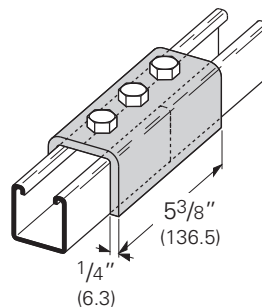
## B170 Two Hole Splice Clevis For B22 or B52A

- Standard finishes: ZN, GRN
- Wt./C 123 Lbs. (55.8 kg)



## B171 Three Hole Splice Clevis For B22 or B52A

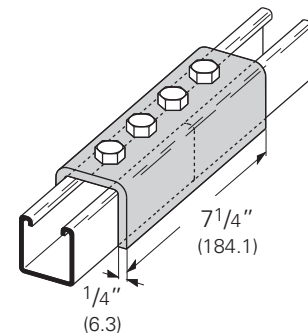
- Standard finishes: ZN, GRN
- Wt./C 195 Lbs. (88.4 kg)



## B172 Four Hole Splice Clevis For B22 or B52A

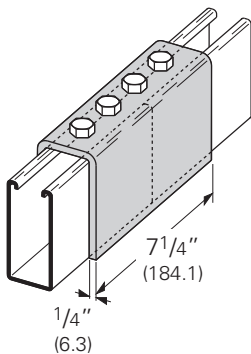
- Standard finishes: ZN, GRN
- Wt./C 266 Lbs. (120.6 kg)

PA ZN  
GRN



## B172-12 Four Hole Splice Clevis For B12

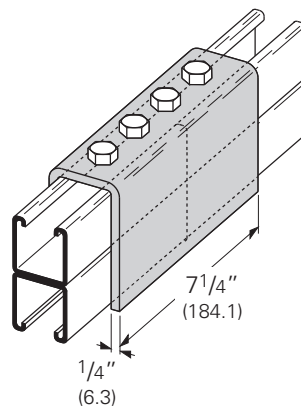
- Standard finishes: ZN, GRN
- Wt./C 326 Lbs. (147.8 kg)



## B172-22A Four Hole Splice Clevis For B11 or B22A

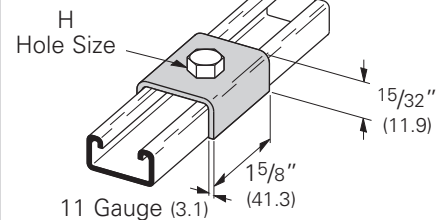
- Standard finishes: ZN, GRN
- Wt./C 406 Lbs. (184.1 kg)

PA GRN



## B450 U-Washer

- Material: ASTM A1011 HSLAS Gr. 50
- Standard finishes: ZN, GRN



Part No. & Size	Hole Size H	Wt./C
	Lbs. kg	Lbs. kg
B450-1/4	5/16" (7.9)	14 (6.3)
B450-3/8	7/16" (11.1)	14 (6.3)
B450-1/2	9/16" (14.3)	13 (5.8)
B450-5/8	11/16" (17.4)	13 (5.8)
B450-3/4	13/16" (20.6)	13 (5.8)

PA Pre-assembled fitting.

Reference page 73 for general fitting and standard finish specifications.