

45° and 90° Elbows

Explosionproof, Dust-Ignitionproof

UNILETS® for Use with Threaded Rigid Metal Conduit and IMC.

NEC/CEC:

Class I, Division 1 and 2 Groups A◇, B◇, C, D
Class II, Division 1 and 2 Groups E, F, G
Class III

Features

- Explosionproof, dust-ignitionproof.
- Smooth, rounded integral bushing in each hub protects conductor insulation.
- Accurately tapped, tapered NPT threads for tight, rigid joints and ground continuity.

Standard Materials

- Malleable iron or copperfree (4/10 or 1% max.) aluminum

Standard Finishes

- EL malleable iron: zinc electroplate
- EL aluminum: natural

NEC/CEC Compliances and Certifications

- UL Standard: 886 (1203)
- UL Listed: E10444
- CSA Standard: C22.2 No. 25, C22.2 No. 30
- CSA Certified: 065181



	Size (Inches)	Millimeters (Inches) Dimensions (A)	Catalog Number	
			Malleable Iron	Aluminum
45° Female Elbows				
	1/2	30.2 (1.19)	ELF45-50 ◇	ELF45-50-A ◇
	3/4	33.3 (1.31)	ELF45-75 ◇	ELF45-75-A ◇
	1	39.7 (1.56)	ELF45-100	—
	1-1/4	42.9 (1.69)	ELF45-125	—
	1-1/2	50.8 (2.00)	ELF45-150	ELF45-150-A
	2	57.2 (2.25)	ELF45-200	—
90° Female Elbows				
	1/2	38.1 (1.50)	ELF90-50 ◇	ELF90-50-A ◇
	3/4	42.9 (1.69)	ELF90-75 ◇	ELF90-75-A ◇
	1	46.0 (1.81)	ELF90-100 ◇	ELF90-100-A ◇
	1-1/4	52.4 (2.06)	ELF90-125	ELF90-125-A
90° Male and Female Elbows				
	1/2	43.6 (1.72)	ELMF90-50 ◇	ELMF90-50-A ◇
	3/4	42.9 (1.69)	ELMF90-75 ◇	ELMF90-75-A ◇
	1	55.6 (2.19)	ELMF90-100	ELMF90-100-A
	1-1/4	52.4 (2.06)	ELMF90-125	—
90° Male Elbows				
	1/2	42.9 (1.69)	ELM90-50 ◇	ELM90-50-A ◇
	3/4	46.7 (1.84)	ELM90-75 ◇	ELM90-75-A ◇
	1	47.6 (1.88)	ELM90-100	—
	1/2	45.2 (1.78)	ELMFL90-50 ◇	ELMFL90-50-A ◇
	3/4	57.9 (2.28)	ELMFL90-75 ◇	ELMFL90-75-A ◇
	1	67.6 (2.66)	ELMFL90-100 ◇	ELMFL90-100-A ◇
	1-1/4	84.1 (3.31)	ELMFL90-125	—
	1-1/2	100.1 (3.94)	ELMFL90-150	—
	2	101.6 (4.00)	ELMFL90-200	—

◇ Indicates items in the shaded area which are UL Listed for Class I, Groups A, B, C, D; Class II, Groups E, F, G; and Class III.

90° Elbows

Explosionproof, Dust-Ignitionproof

UNILETS® for Use with Threaded Rigid Metal Conduit and IMC.

NEC/CEC:

*Class I, Division 1 and 2, Groups C, D
Class I, Zone 1 and 2, Groups IIA, IIB
Class II, Division 1 and 2, Groups E, F, G
Class III*

Application

- Allows conduit to be joined at any angle.

Features

- Explosionproof, dust-ignitionproof.
- Smooth, rounded integral bushing in each hub protects conductor insulation.
- Accurately tapped, tapered NPT threads for tight, rigid joints and ground continuity.
- Threaded for rigid conduit or IMC.



Standard Materials




- Gray iron

Standard Finishes

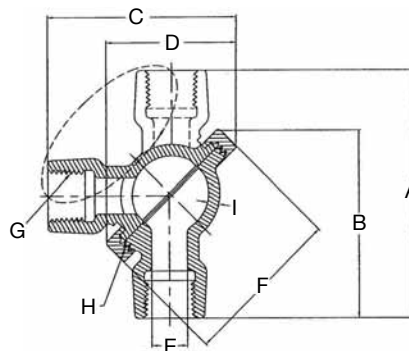
- Zinc electroplate

NEC/CEC Compliances and Certifications

- UL Standard: 886 (500-503 and 505)
- UL Listed: E34997
- CSA Standard: C22.2 No. 30
- CSA Certified: 009795

	Size (Inches)	Dimensions in Millimeters (Inches)		Catalog Number
		Overall Length	Maximum Diameter	
Flexible/Swivel Elbows — Full 360°				
	1/2	101.6 (4.00)	47.6 (1.88)	UNAF50
	3/4	114.3 (4.50)	50.8 (2.00)	UNAF75
	1	133.4 (5.25)	63.5 (5.50)	UNAF100

Dimensions in Millimeters (Inches)



Catalog Number	Size (Inches)	A	B	C	D	E Throat Ø	F Ø	G NPT	H UN Thread	I
UNAF50	1/2	101.60 (4.00)	76.20 (3.00)	76.20 (3.00)	47.63 (1.88)	15.08 (0.59)	66.68 (2.63)	12.70 — 355.60 (0.50 — 14.00)	50.80 — 6.35 (2.00 — 0.25)	3.97 (0.16)
UNAF75	3/4	114.30 (4.50)	84.37 (3.32)	84.37 (3.32)	52.39 (2.06)	19.84 (0.78)	74.61 (2.94)	19.05 — 355.60 (0.75 — 14.00)	63.5 — 304.80 (2.50 — 12.00)	3.97 (0.16)
UNAF100	1	133.35 (5.25)	88.90 (3.50)	88.90 (3.50)	63.50 (2.50)	25.40 (1.00)	88.90 (3.50)	25.40 — 292.10 (1.00 — 11.50)	79.38 — 304.80 (3.13 — 12.00)	4.76 (0.19)