

FSQC 30, 60 and 100 Amp Series Receptacles and ACP Plugs

Disconnect Switch. Explosionproof, Dust-Ignitionproof

600 Vac Ma. 250 Vdc Max.

Class I, Division 1 and 2, Groups B, C, D

Class II, Division 1 and 2, Groups F, G

Class III

NEMA 3•, 3R•, 4•, 4X•, 7CD, 9FG

Applications

- Locations where receptacles are used with stationary or portable electrically operated devices such as:
 - Lighting systems
 - Conveyors
 - Heaters
 - Motor-generator sets
 - Air conditioners
 - Compressors
 - Pumps
 - Locations where damp or corrosive conditions exist
- Class I: classified locations such as:
 - Petrochemical plants
 - Petroleum refineries
 - Paint and chemical plants
 - Any location where ignitable vapors or gases are present
- Class II: classified locations such as:
 - Process industries where there are dust hazards from handling such products as flour, grain and starch or any location where ignitable amounts of dust are present or amounts which would adversely affect performance

Features

- Large housing provides ample wiring room.
- Style 2 (shell and extra pole) grounding.
- Spring door keeps dust out of receptacle when plug is not in use. Screw cover also supplied.
- Brass contacts exert constant pressure along entire contact surface and provide superior electrical contact.
- Contacts have beryllium copper wire springs.
- Insulators provide superior dielectric and mechanical strength and lowest arc tracking.
- Tapped NPT conduit openings at top and bottom: 30 Amp 3/4", 60 Amp 1-1/2", 100 Amp 2".
- "Interlocked Disconnect Switch" provides safe connect and disconnect operation at 30, 60 or 100 Amp, 600 Vac maximum, three pole, non-fused motor circuit switch. FSQC permits safe operation in Class I, Group B as well as Class I, Groups C and D, Class II, Groups F, G, and Class III.
- To operate, insert plug and turn receptacle face to ON position. To remove plug, turn to OFF position and pull plug out.
- ACP plug fits Powertite® Series hazardous location FSQC receptacles.

Standard Materials

- Receptacle and mounting box: copperfree (4/10 of 1% max.) aluminum
- ACP plugs: copperfree (4/10 of 1% max.) aluminum housings
- Insulating blocks: fiber glass reinforced polyester

Standard Finishes

- Receptacles, mounting boxes, cord connector housings and caps: epoxy powder coat



30 Amp
Shown with Flip Lid Cover



60 Amp
Shown with Screw Cap Cover



100 Amp
Shown with Flip Lid Cover

Options

- Special Polarization: Prevents plug insertion in a receptacle or connector wired for a different voltage. In installations where there are different line voltages, the special polarization option is desirable. This allows only plugs and receptacles wired for the same line voltage to be mated together. The receptacle or connector interior is positioned 22-1/2°, relative to the polarization rivet, to the right (as specified) of standard, and plug is polarized to correspond. This option can be added to receptacles using the Powertite® Plug. Add suffix **-P4** to receptacle or plug.
- Auxiliary contacts 1NO + 1NC. Add suffix **-AUX** to receptacle.

Compliances

- UL Standard: UL 1010 (UL 1203), UL 894, UL 1682, UL 1686
- CSA Standard: C22.2 No. 25, C22.2 No. 30, C22.2 No. 159

• Flip cover suitable for NEMA 3, 3R only.

▼ NEMA 4 rating maintained with Appleton NEMA 4 plug installed. Select screw cover for 4, 4X. Both covers are included with product.

Classified by UL and Certified by CSA for use in specific combinations with Crouse-Hinds Arktite. Arktite is a registered trademark of Cooper Crouse-Hinds.

Visit our website at www.appletonelec.com or contact us at (800) 621-1506.

© January 2011

FSQC 30, 60 and 100 Amp Series Receptacles and ACP Plugs

Disconnect Switch. Explosionproof, Dust-Ignitionproof


600 Vac Ma. 250 Vdc Max.

Class I, Division 1 and 2, Groups B, C, D


Class II, Division 1 and 2, Groups F, G

Class III

NEMA 3•, 3R•, 4▼, 4X▼, 7CD, 9FG

	Amp	Hub Size (Inches) ‡	Wire/Poles	Terminal Block Wire Range	Receptacle Catalog Number	Mating Plug Powertite®
	30	3/4 or 1	3W, 4P	#10 - #8	FSQC3430	ACP3034BC
	60	1-1/2	3W, 4P	#6 - #4	FSQC5640	ACP6034BC
	100	2	3W, 4P	#2 - 1/0	FSQC61040	ACP1034CD

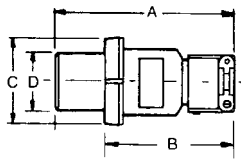
ACP Plugs

	Wire/Poles	Cable Dia. (Inches)	30 Amp	60 Amp	100 Amp
	3W, 4P	.390 to 1.375	ACP3034BC	ACP6034BC	—
		.875 to 1.906	—	—	ACP1034CD

Maximum Horsepower Ratings of Switch

Phase	Amps	120 Vac	240 Vac	480 Vac	600 Vac
Three	30	3	7.5	15	20
	60	—	10	25	30
	100	10	30	60	75

ACP Plug Dimensions



Max. Amp	Dimensions in Inches/Millimeters			
	A	B	C	D
30	6.00/152.4	4.75/120.6	3.13/79.5	1.86/47.2
60	7.81/198.3	4.94/125.4	3.50/88.9	2.23/56.6
100	10.50/266.7	6.63/168.4	4.00/101.6	2.47/62.7

• Flip cover suitable for NEMA 3, 3R only.

▼ NEMA 4 rating maintained with Appleton NEMA 4 plug installed. Select screw cover for 4, 4X. Both covers are included with product.

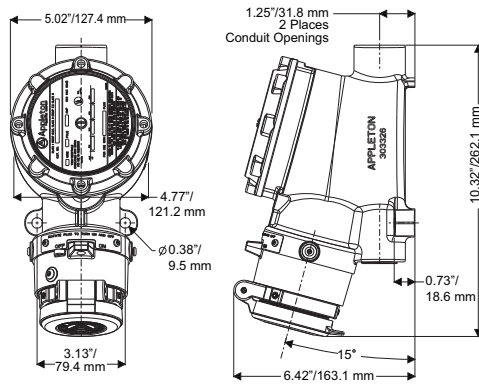
FSQC 30, 60 and 100 Amp Series Receptacle Dimensions

Disconnect Switch. Explosionproof, Dust-Ignitionproof

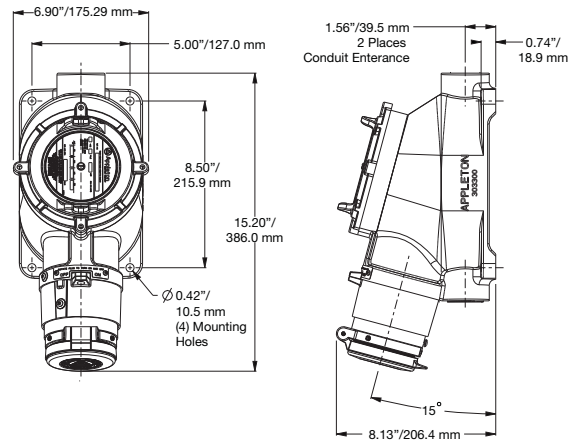
600 Vac Ma. 250 Vdc Max.

FSQC Receptacles — Shown with Flip Lid Cover

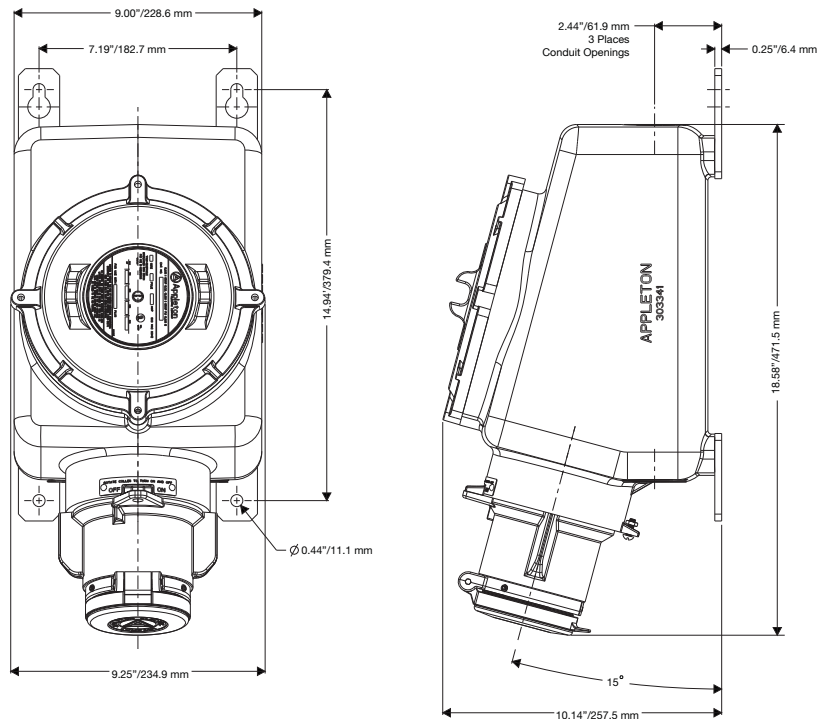
30 Amp



60 Amp



100 Amp



• Flip cover suitable for NEMA 3, 3R only.

▼ NEMA 4 rating maintained with Appleton NEMA 4 plug installed. Select screw cover for 4, 4X. Both covers are included with product.