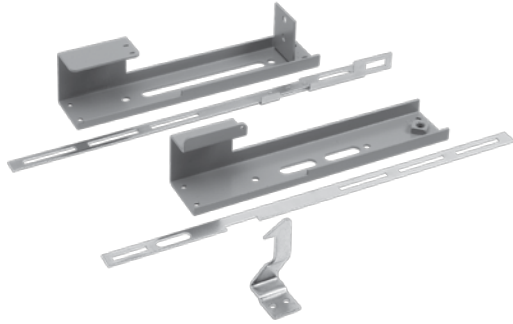


OPERATOR ADAPTERS FOR UNIVERSAL CUTOUTS

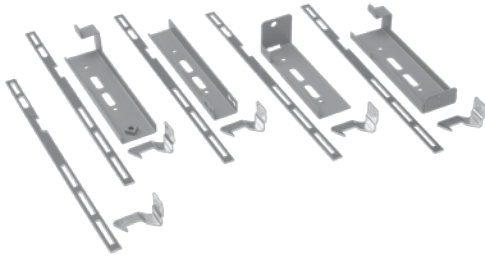


Used on all Hoffman Type 4 and 12 disconnect enclosures with a universal flange cutout. An operator adapter is required to install a disconnect in Bulletin A21, A28, A34 and A4L3D Hoffman enclosures that have a universal cutout. Operator adapters include an adapter plate and additional components needed to interlock the master door with the disconnect operating mechanism. Installation instructions are included with each operator adapter. Each brand and type of disconnect requires a different operator adapter. Be sure to select the correct operator adapter and enclosure for the disconnect

device selected. A 400A (or greater) disconnect switch and 600A (or greater) circuit breaker require the large handle. A 200A (or less) disconnect switch and 400A (or less) circuit breaker require a small handle.

Old Catalog Number	New Catalog Number	Brand and Type of Operator
A21ABA	ABF	Allen-Bradley 1494F & 1494D Fixed-Depth Mechanisms
A21ABVA	ABS	Allen-Bradley 1494V Variable-Depth; Allen-Bradley 140U, 140G, 1494C & 194RC Cable-Operated; Small Handle
A21ABVA	ABL	Allen-Bradley 1494V Variable-Depth; Allen-Bradley 140U, 140G, 1494C & 194RC Cable-Operated; Large Handle
A21ITE	SITES	Siemens I-T-E Max-Flex™ ; Small Handle
A21ITE	SITEL	Siemens I-T-E Max-Flex™ ; Large Handle
A21ITE	ABBSC	ABB Controls Cable S3-S5
A21ITE	ABBLC	ABB Controls Cable S6 & S7
A21CHVA	ABBSV	ABB Variable-Depth, S1, S2, T5 Cable Size
A21CHVA	ECHV	Eaton Cutler-Hammer C361, C371 Variable Depth
A21CHVA	ECHC	Eaton Cutler-Hammer C371 Flex Shaft Cable-Operated
A21WHA	Discontinued	Eaton Cutler-Hammer/Westinghouse SM mechanisms
A21WHAMTA	WAMT	Eaton Cutler-Hammer/Westinghouse Below Handle AMT & Flex-Cable For F Frame Circuit Breakers
A21WHAMTA	WAMTF	Eaton Cutler-Hammer/Westinghouse Flex-Cable For Circuit Breakers Except For F Frame
A21GETDA	GEV	General Electric STDA Variable-Depth
A21GETDA	GEC	General Electric Flexible Cable-Operated
A21SDA	SDDV	Square D® Class 9422 Variable-Depth
A21SDA	SDDC	Square D® Class 9422 Flex-Cable Mechanisms

OPERATOR ADAPTERS FOR PREFERRED CUTOUTS



An operator adapter is required to install a disconnect in Bulletin A21S4, A28S4 and WS2D Hoffman enclosures that have a preferred cutout. Operator adapters include components needed to interlock the master door with the disconnect operating mechanism. Panel drilling and installation instructions are furnished with each operator adapter.

Each brand and type of disconnect requires a different operator adapter. Be sure to select the proper operator adapter and enclosure for the disconnect that you have selected.

BULLETIN: A28Y

Catalog Number	Brand and Type of Operator
APCABVA	Allen-Bradley 1494V variable-depth Allen-Bradley 140U, 140G and 1494C cable-operated mechanisms
APCCHVA	Eaton Cutler-Hammer C361, C371 and C371 Flex Shaft™
APCGETDA	General Electric STDA
APCITE	Siemens I-T-E Max-Flex™
APCSDA	Schneider Square D® Class 9422 variable-depth and cable mechanisms

BLANK ADAPTER PLATES, MILD STEEL



Used to cover flange cutouts in disconnect enclosures when disconnects are not installed. This greatly increases the versatility of disconnect enclosures, enabling them to also be used as regular Type 12 enclosures. If the UPB model is used, the disconnect enclosure can be used as a regular Type 4 enclosure. Hoffman adapter plates are made from heavy gauge steel and have an oil-resistant gasket to maintain a dust-tight and oil-tight seal. Mounting hardware and instructions are included. Door hardware is not furnished with blank adapter plate. Door hardware must be ordered separately from the disconnect manufacturer when using catalog numbers A22BAP on Bulletin A22 Enclosures and A3456BAP on Bulletin A25 Enclosures.

BULLETIN: A80

Catalog Number	Old Catalog Number	For Mild Steel Enclosure Bulletin Number
UBP	A21BAP	A21, A28, A4L3D, A34 (Universal Cutouts)
A22BAP	---	A22 only
A3456BAP	---	A19, CW1, A25, A 26 (Preferred Cutouts)

A22BAP will fit all Bulletin A22 enclosures except A48AB3812A2LP and A60AB3812A2LP.

A3456BAP will fit all Bulletin A25 enclosures except A60SA3812A24LP.

BLANK ADAPTER PLATES, STAINLESS STEEL



Used to cover flange cutouts in disconnect enclosures when disconnects are not installed. Hoffman adapter plates are made from heavy gauge Type 304 stainless steel and have an oil-resistant gasket to maintain the dust-tight and oil-tight qualities of the enclosure. The plates have a #4 brushed finish. All necessary mounting hardware and instructions are included.

BULLETIN: A80

Catalog Number	For Enclosure Bulletin Number
AZ128BAPSS	A19S, CWS, AZ1S4, A28S4 and WS2D with preferred cutouts

ENCLOSURE STABILIZERS



Helps prevent injury to workers by stabilizing floor-mount enclosures which are not bolted down. To install, slip the stabilizer under the floor stand and tighten two thumb screws. Made from .19-in. (5-mm) steel plate. Bright orange finish.

BULLETIN: A80

Catalog Number	Description
AENST	Two stabilizers