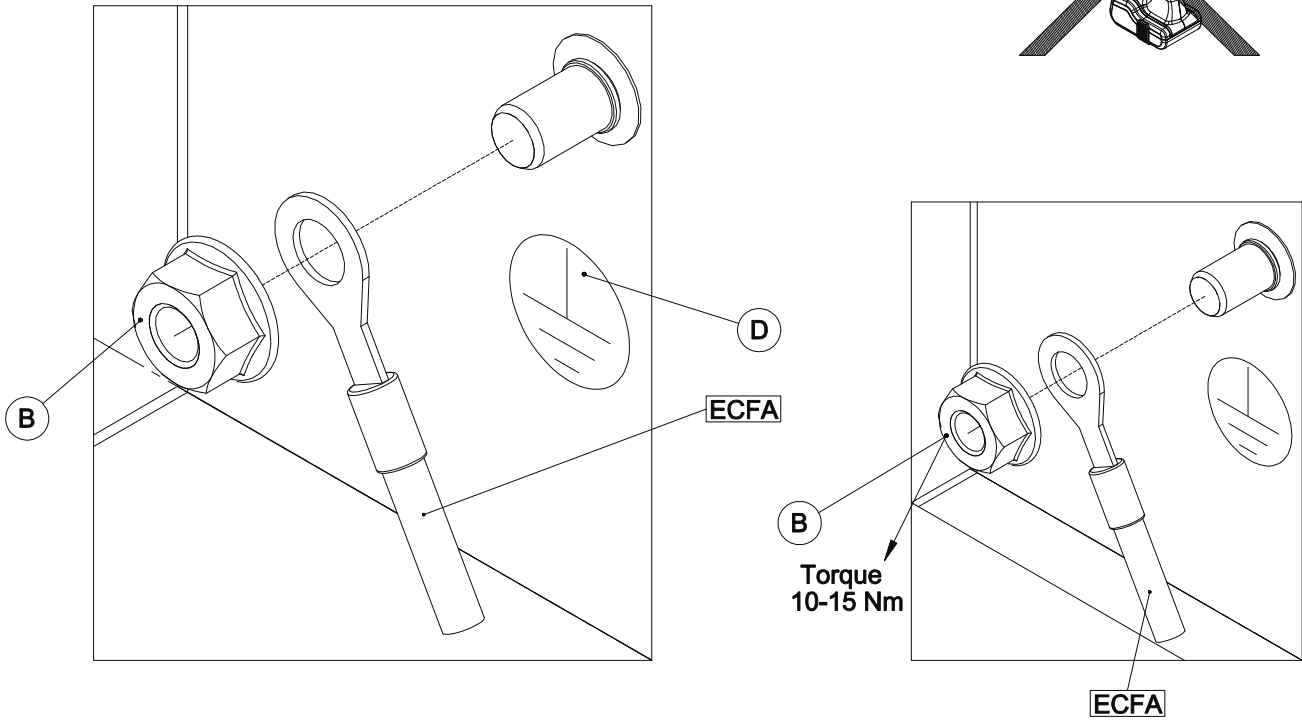
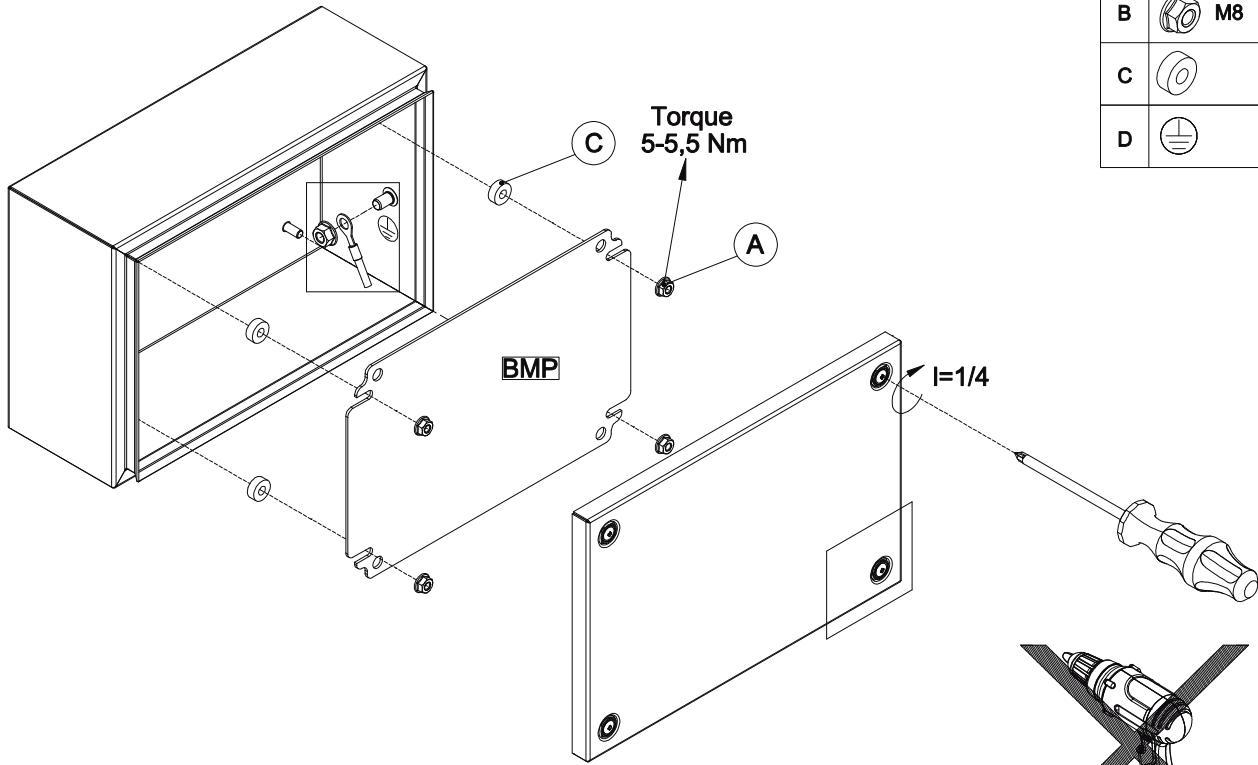


# SSTB

Ref.	Pic.	W (mm)	<600	≥600
			A	M6
B	M8	2	2	
C	M6	4	6	
D	Grounding symbol	2	2	



**WARNING:** When mounting on or over a combustible surface, a floor plate of at least 1.43 mm galvanized or 1.6 mm uncoated steel extended at least 150 mm beyond the equipment on all sides must be installed.

**WARNING:** In order to maintain the environmental integrity of the enclosure, devices with the same environmental ratings shall be used to close openings in customized enclosure.