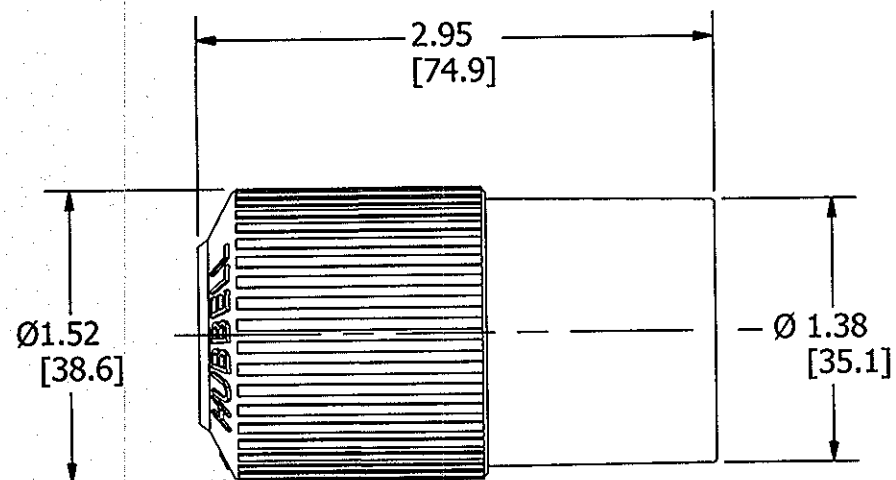


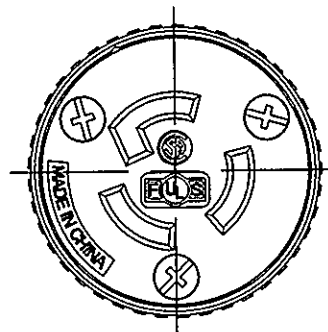
M-11356

5

NEMA NO.	RATING	POLE/WIRE	CAT.NO.	CONFIG.
5-15R	15A 125V	2P,3W GROUNDING	515SC	
5-20R	20A 125V	2P, 3W GROUNDING	520SC	
L5-15R	15A 125V	2P, 3W GROUNDING	L515C	
L7-15R	15A 277A	2P, 3W GROUNDING	L715C	



L515C SHOWN

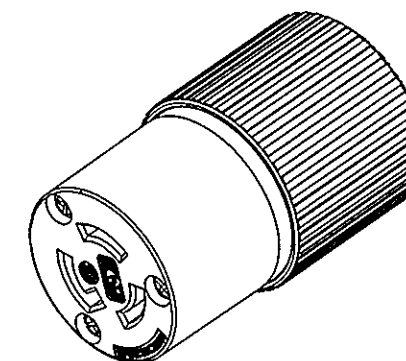


CORD RANCE  
3 CONDUCTOR  
18/3 SJ - 12/3 SO  
.300 in - .655 in  
7.6 mm - 16.6 mm

- NOTES:  
1. ALL DEVICES ARE UL, CSA CERTIFIED.  
2. ALL DEVICES ARE FED. SPEC.

LIST OF PARTS

DESCRIPTION	MATERIAL	FINISH
PULL DOWN RING	NYLON	BLACK
GRIP BODY	NYLON	BLACK
TERMINAL COVER	LEXAN	CLEAR
DRIVE SCREW	STEEL	ZINC PLATE
DUST COVER	RUBBER	BLACK
ASSEMBLY SCREW	STEEL	ZINC PLATE
TERMINAL SCREW	STEEL	GREEN/NICKEL/ BRASS
WIRE CLAMP NUT	STEEL	BRASS/STEEL/ TIN PLATE
15/20A HOT CONTACT	BRASS	
15/20A NEUT CONTACT	BRASS	
GROUND CONTACT	BRASS	
CONNECTOR FACE	NYLON	WHITE



**CATALOG NO. L515C  
(NOT SHOWN TO SCALE)**

5	REDRAWN WITH EMBEDDED CAD MODEL WITH NO CHANGES TO PART GEOMETRY. PER DCN 21895 SPN	DJP	2/5/16
---	---	-----	--------

REV	DESCRIPTION	APP	DATE
5	REDRAWN WITH EMBEDDED CAD MODEL WITH NO CHANGES TO PART GEOMETRY. PER DCN 21895 SPN	DJP	2/5/16

THE DESIGN AND DIMENSIONS OF THE PRODUCT SHOWN ON THIS DRAWING ARE SUBJECT TO CHANGE WITHOUT NOTICE

TITLE  
15A STRAIGHT BLADE & LOCKING  
20A STRAIGHT BLADE CONNECTORS

TOLERANCES UNLESS OTHERWISE SPECIFIED .XX = ± .01 .XXX = ± .005 ANGLES = ± 2'	WIRING DEVICE-KELLEMS HUBBELL INCORPORATED SHELTON, CT			
	DR. BY	MJM	APP. BY	TLS
	TR. BY		SCALE	2:1
	CHK. BY	TLS	DATE	9-1-09

DIMENSION SHEET FOR CAT. NO. SEE TABLE

REPAIRABLE

NON-REPAIRABLE

**B**

M-11356

5