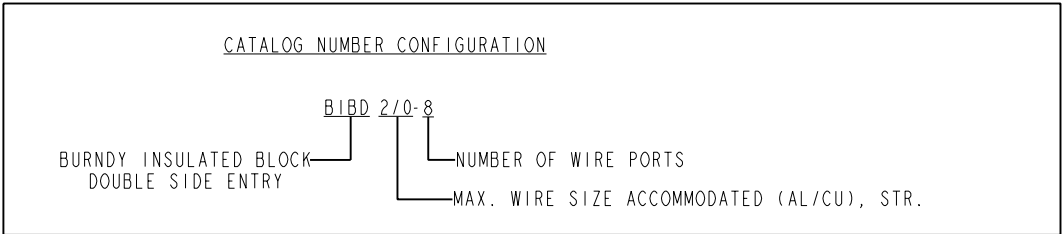
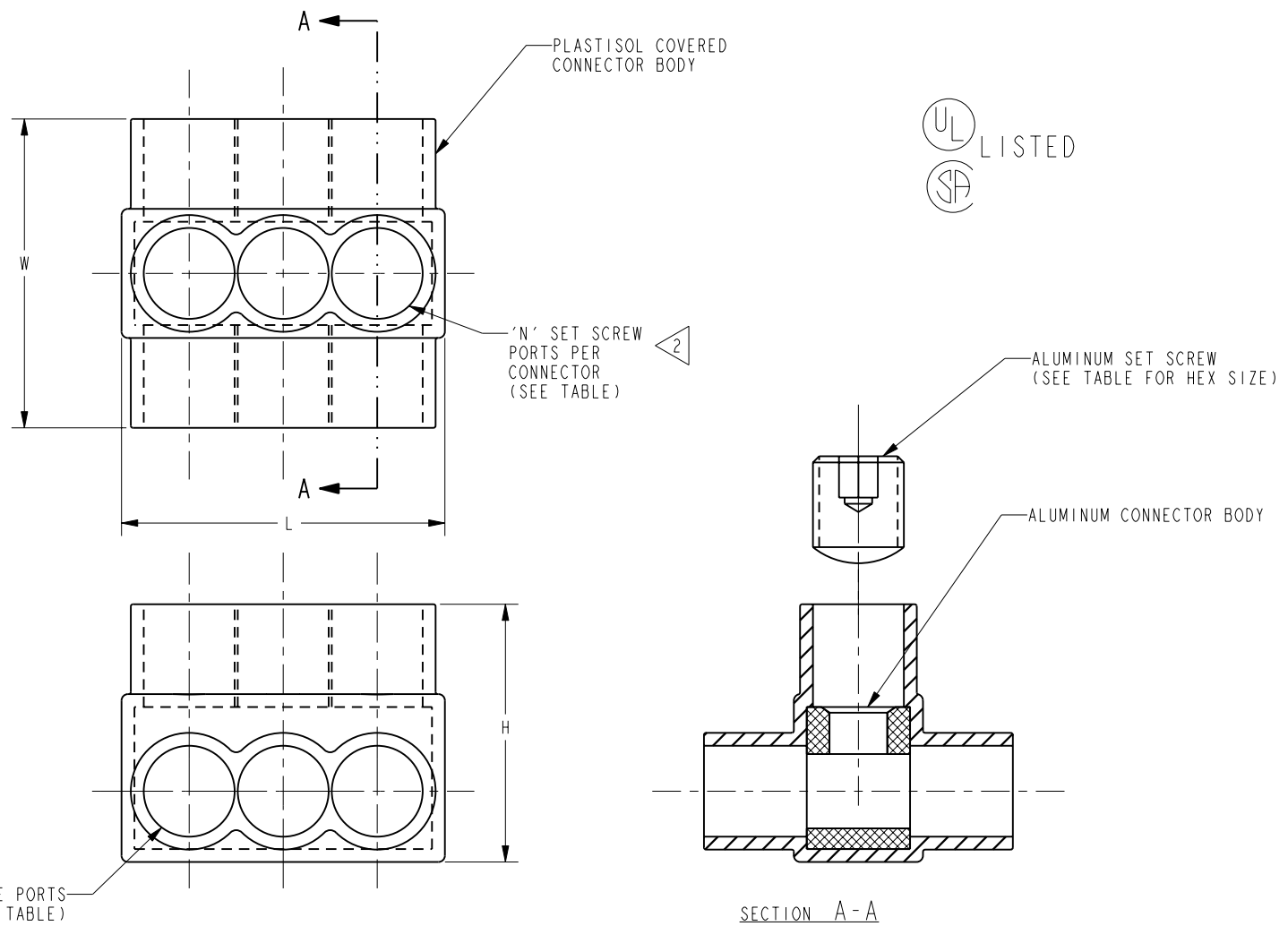


DRAWING NO.  
SC210991

CATALOG NO.	WIRE RANGE (AWG/kcmil)	L	W	H	HEX KEY	N
BIBD2/0-2	#14-2/0	1.52 [39]	1.56 [40]	1.38 [35]	3/16	2
BIBD2/0-3	#14-2/0	2.19 [56]	1.56 [40]	1.38 [35]	3/16	3
BIBD2/0-4	#14-2/0	2.86 [73]	1.56 [40]	1.38 [35]	3/16	4
BIBD2/0-5	#14-2/0	3.53 [90]	1.56 [40]	1.38 [35]	3/16	5
BIBD2/0-6	#14-2/0	4.20 [107]	1.56 [40]	1.38 [35]	3/16	6
BIBD2/0-8	#14-2/0	5.55 [141]	1.56 [40]	1.38 [35]	3/16	8
BIBD2/0-10	#14-2/0	6.89 [175]	1.56 [40]	1.38 [35]	3/16	10
BIBD2/0-12	#14-2/0	8.24 [209]	1.56 [40]	1.38 [35]	3/16	12
BIBD2/0-14	#14-2/0	9.58 [243]	1.56 [40]	1.38 [35]	3/16	14

REV	DATE	DESCRIPTION	ECO	BY	C'H'K.
B	12/13/2012 00:00:00 AM	TORQUE INFORMATION ADDED	29767	RG	MA

FEATURES	BENEFITS
PLASTISOL COVERED AL6061-T6 BODY	SAVES TIME, LOWERS INSTALLATION COSTS, ELIMINATES TAPING.
CLEAR PLASTISOL	ALLOWS VISUAL CONFIRMATION THAT CONDUCTOR IS PROPERLY INSERTED.
OXIDE-INHIBITOR IS PRE-INSTALLED	INHIBITS MOISTURE AND CONTAMINANTS FROM ENTERING THE CONTACT AREA
RANGE-TAKING	REDUCES THE NUMBER OF CONNECTORS CARRIED IN INVENTORY



NOTES:

- CONNECTORS ARE SUPPLIED INDIVIDUALLY LABELED. LABEL INFORMATION INCLUDES CATALOG NUMBER, QUANTITY, AND BARCODE.
- END CAPS INSTALLED ON WIRE PORTS AND SET SCREW PORTS.
- ALL CONNECTORS UL LISTED, CSA CERTIFIED FOR AL9CU, 90°C APPLICATIONS.
- DIMENSIONS IN BRACKETS [ ] ARE IN MILLIMETERS ROUNDED OFF TO THE NEAREST MILLIMETER, UNLESS OTHERWISE NOTED, AND ARE FOR REFERENCE ONLY.
- TORQUE SET SCREWS TO 120 IN/LB

TO ORDER BURNDY® PRODUCTS CALL		UNITAP™- PLASTISOL COVERED WIRE CONNECTORS	
UNITED STATES: 1-800-346-4175 (LONDONDERRY, NH)		ITEM NO: N/A	
CANADA: 1-800-361-6975 (QUEBEC) 1-800-387-6487 (ALL OTHER PROVINCES)		CAT. NO: BIBD2/0-, SERIES	
FOR PRODUCT INFO: <a href="http://www.burndy.com">http://www.burndy.com</a>		DRAWN BY: J AYER 3/21/97	
		CHECKER: C CHADBOURNE 7/21/97	
		DSN APPVL: C CHADBOURNE 7/21/97	
		MFG APPVL: -- --	
		QA APPVL: J BRODEUR 7/28/97	
		MKT APPVL: P WERTHMAN 7/24/97	
		SCALE: NTS	
		DRAWING NO	
		SC210991	
		REV	
		B	
		SHEET 5 OF 15	

REV: PE0200