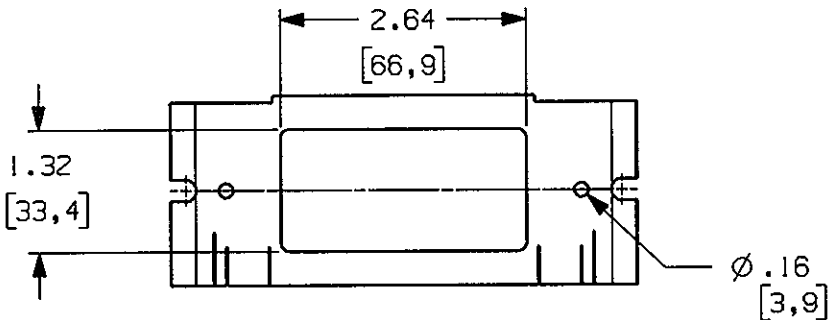
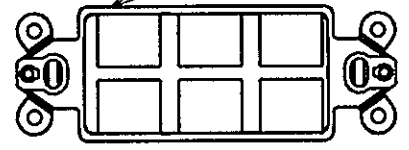


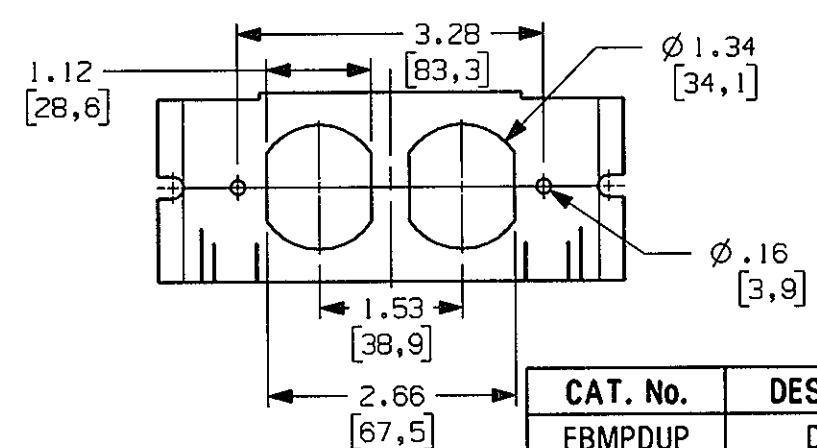
ABOVE DIMENSIONS ARE TYPICAL TO ALL FACEPLATES ON THIS DRAWING

CAT. No.	DESCRIPTION
FBMPBNK	BLANK PLATE

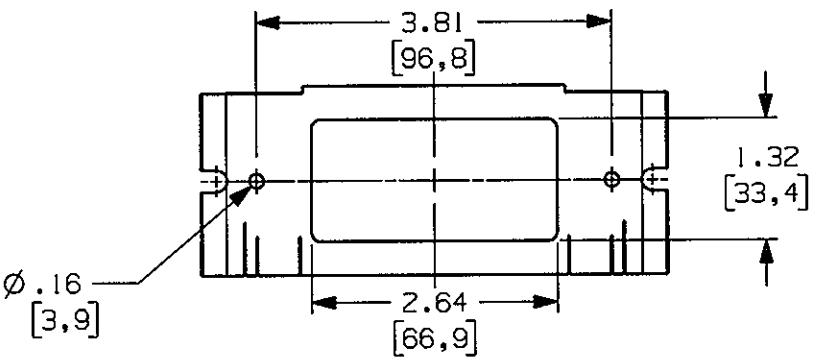
HUBBELL 6-PORT THERMOPLASTIC FRAME SUPPLIED. COLOR: GRAY



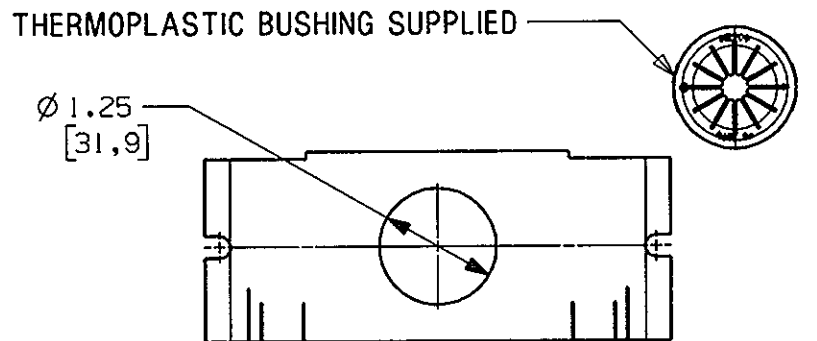
CAT. No.	DESCRIPTION
FBMP6KS	6-PORT KEYSTONE BEZEL



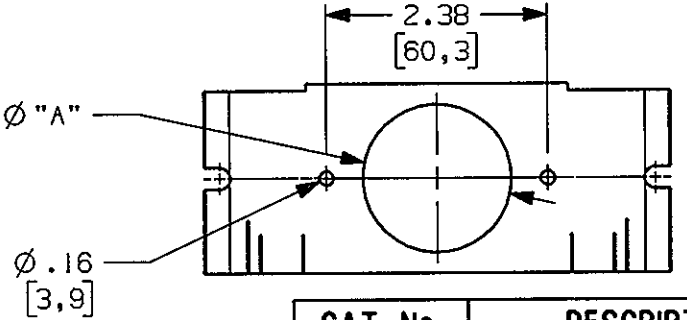
CAT. No.	DESCRIPTION
FBMPDUP	DUPLEX



CAT. No.	DESCRIPTION
FBMPREC	STYLELINE DECORATOR



CAT. No.	DESCRIPTION
FBMPFT	FEED THRU (INCLUDES BUSHING)



CAT. No.	DESCRIPTION	DIM "A"
FBMP156	TWISTLOCK®	Ø 1.60 [40,5]
FBMP139	SIMPLEX OR TWISTLOCK®	Ø 1.41 [35,7]

LIST OF PARTS

DESCRIPTION	MATERIAL	FINISH
FACE PLATES	CRS	PRE-GALVANIZED

NOTES:
 (1) ALL DIMENSIONS ARE IN INCHES [mm].
 (2) ALL FACE PLATES ARE cULus LISTED.
 (3) CONSULT FACTORY REGARDING LAYOUT OF TWISTLOCK FACE PLATES.

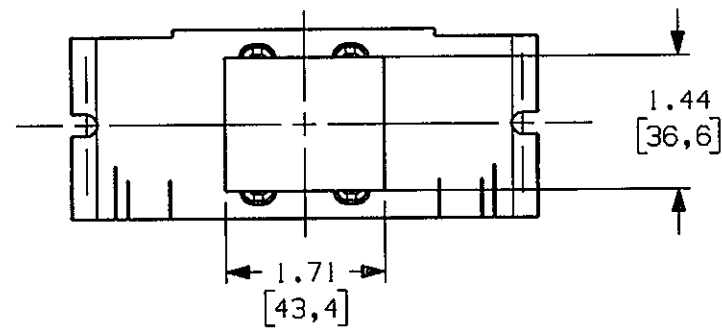
SYM	REVISIONS	APP	DATE
2	REVISED PLATES PER DCN #19955 MAM	TLS	8/12/13
1	RELEASE FOR PRODUCTION PER DCN #18515 MJM	TLS	1/3/2012

THE DESIGN AND DIMENSIONS OF THE PRODUCT SHOWN ON THIS DRAWING ARE SUBJECT TO CHANGE WITHOUT NOTICE

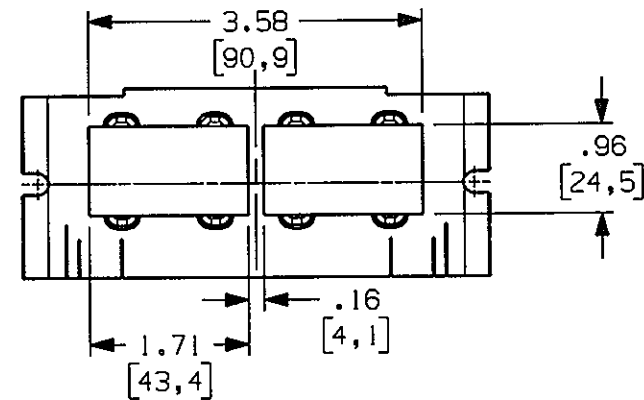
TITLE
 FLOOR BOX FACE PLATES (2,4,6 GANG COMPATIBLE)

TOLERANCES UNLESS OTHERWISE SPECIFIED .XX : ±.01 .XXX : ±.005 ANGLES : ±2°	WIRING DEVICE-KELLEMS HUBBELL INCORPORATED SHELTON, CT	
	DR. BY MJM	APP. BY TLS
	TR. BY	SCALE 1/2
	CHK. BY	DATE 1/5/11

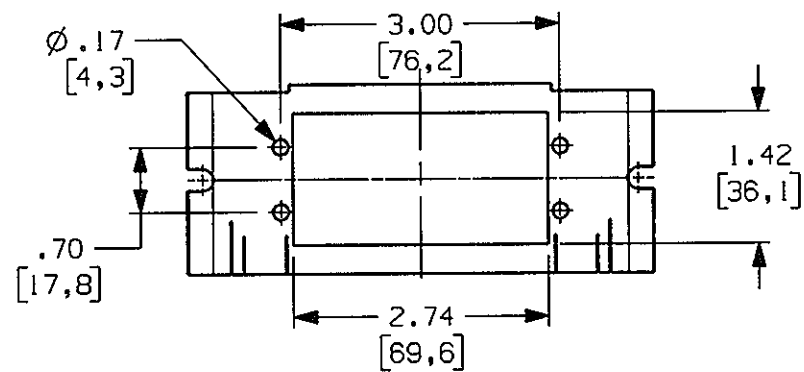
DIMENSION SHEET FOR CAT. NO. SEE TABLE
 REPAIRABLE NON-REPAIRABLE
 B
 M-11842
 2



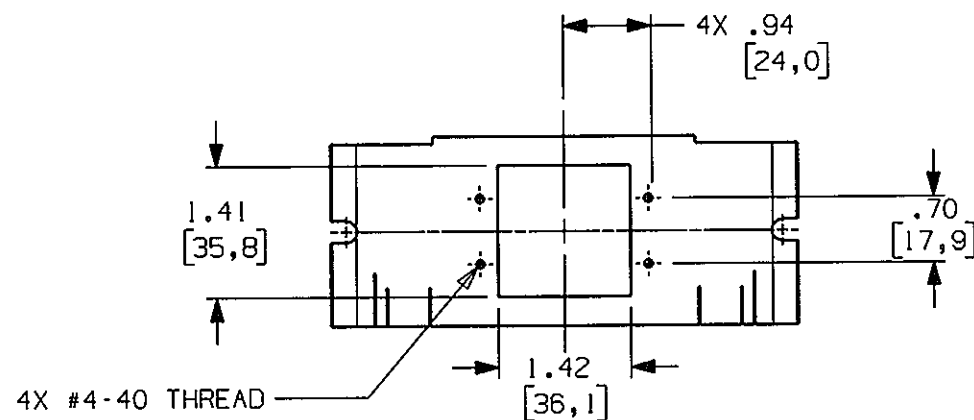
CAT. No.	DESCRIPTION
FBMP15IM	1.5-UNIT iSTATION®



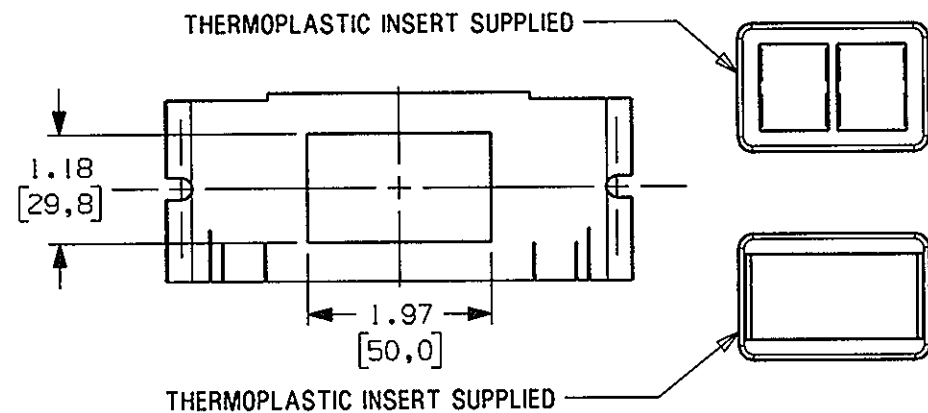
CAT. No.	DESCRIPTION
FBMP2IM	2-UNIT iSTATION®



CAT. No.	DESCRIPTION
FBMPAAP	2-UNIT EXTRON AAP



CAT. No.	DESCRIPTION
FBMPMAAP	EXTRON MAAP OR FR IPS



CAT. No.	DESCRIPTION
FBMPTRAC	FOR TWO ORTRONICS TrackJack® OR ONE Series II® DATACOM INSERT

CODE 74545

LIST OF PARTS		
DESCRIPTION	MATERIAL	FINISH
FACE PLATES	CRS	PRE-GALVANIZED

NOTES:
 (1) ALL DIMENSIONS ARE IN INCHES [mm].
 (2) ALL FACE PLATES ARE CULUS LISTED.
 (3) CONSULT FACTORY REGARDING LAYOUT OF TWISTLOCK FACE PLATES.

REPAIRABLE	NON-REPAIRABLE
<input type="checkbox"/>	<input checked="" type="checkbox"/>

SYM	REVISIONS	APP	DATE
2	REVISED PLATES PER DCN #19955 MAM	TLS	8/12/13
1	RELEASE FOR PRODUCTION PER DCN #18515 MJM	TLS	1/3/2012

THE DESIGN AND DIMENSIONS OF THE PRODUCT SHOWN ON THIS DRAWING ARE SUBJECT TO CHANGE WITHOUT NOTICE

TITLE
 FLOOR BOX
 FACE PLATES
 (2, 4, 6 GANG COMPATIBLE)

TOLERANCES UNLESS OTHERWISE SPECIFIED	WIRING DEVICE-KELLEMS HUBBELL INCORPORATED SHELTON, CT	
.XX : ±.01	DR. BY MJM	APP. BY TLS
.XXX : ±.005	TR. BY	SCALE 1/2
ANGLES : ±2°	CHK. BY	DATE 1/5/11

DIMENSION SHEET FOR CAT. NO. SEE TABLE REPAIRABLE NON-REPAIRABLE B M-11842 2