

DIMENSION SHEET FOR CAT. NO. SEE TABLE

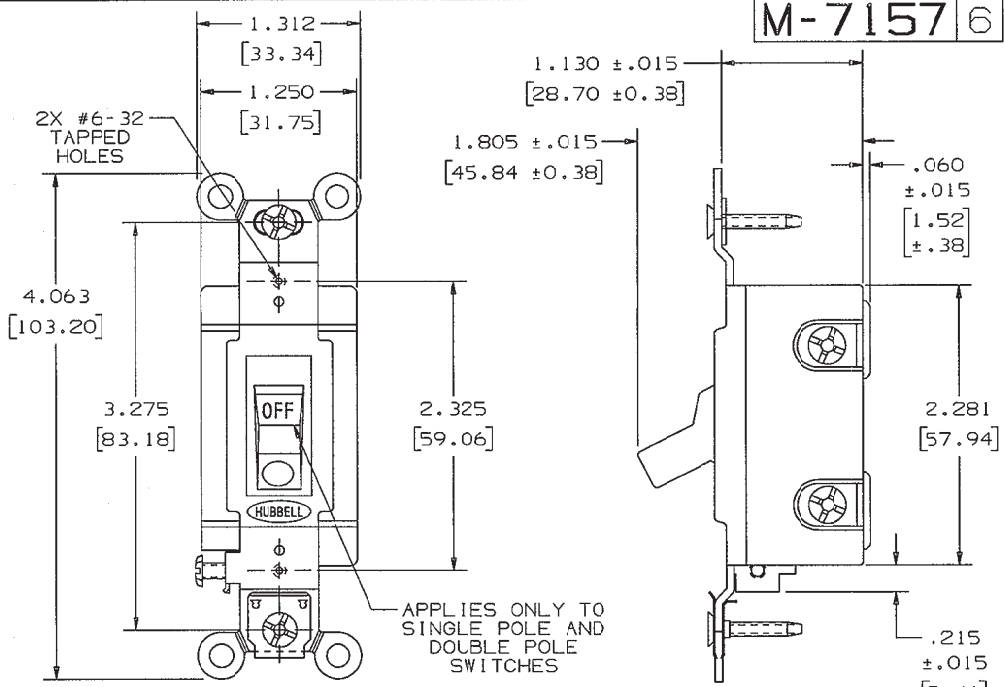
REPAIRABLE NON-REPAIRABLE

B

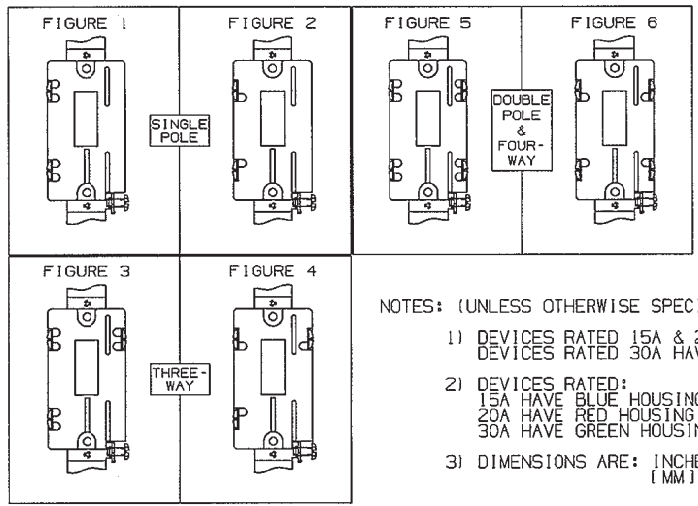
M-7157

6

M-7157 6



BACK VIEW FIGURES



- NOTES: (UNLESS OTHERWISE SPECIFIED)
- 1) DEVICES RATED 15A & 20A HAVE PLAIN BRASS FINISH; DEVICES RATED 30A HAVE TIN PLATED FINISH.
 - 2) DEVICES RATED: 15A HAVE BLUE HOUSING, 20A HAVE RED HOUSING, 30A HAVE GREEN HOUSING
 - 3) DIMENSIONS ARE: INCHES [MM]

CODE 74545

CATALOG NO.	TOGGLE COLOR	RATINGS/TYPE	BACK VIEW FIGURE	LIST OF PARTS		
				DESCRIPTION	MATERIAL	FINISH
HBL1201	BROWN	15A 120-277VAC S.P.	1	HOUSING	UREA	
HBL1201GY	GRAY	15A 120-277VAC S.P.	1	COVER	UREA	
HBL1201I	IVORY	15A 120-277VAC S.P.	1	TOGGLE	NYLON	
HBL1201R	RED	15A 120-277VAC S.P.	1	STATIONARY TERMINAL	.031 BRASS	NOTE 1
HBL1201W	WHITE	15A 120-277VAC S.P.	1	SPRING ARM TERMINAL	.031 BRASS	NOTE 1
HBL1202	BROWN	15A 120-277VAC D.P.	5	WIRE CLAMP	.080 STEEL	TIN PLATE
HBL1202I	IVORY	15A 120-277VAC D.P.	5	BRIDGE	.050 STEEL	NICKEL PLATE
HBL1203	BROWN	15A 120-277VAC 3W	3	CONTACTS	SILVER/CADMIUM OXIDE	
HBL1203BK	BLACK	15A 120-277VAC 3W	3	BINDING SCREWS	BRASS	
HBL1203GY	GRAY	15A 120-277VAC 3W	3	MOUNTING SCREWS	STEEL	ZINC PLATE
HBL1203I	IVORY	15A 120-277VAC 3W	3			
HBL1204	BROWN	15A 120-277VAC 4W	5			
HBL1204BK	BLACK	15A 120-277VAC 4W	5			
HBL1204GY	GRAY	15A 120-277VAC 4W	5			
HBL1204I	IVORY	15A 120-277VAC 4W	5			
HBL1221	BROWN	20A 120-277VAC S.P.	1			
HBL1221BK	BLACK	20A 120-277VAC S.P.	1			
HBL1221GY	GRAY	20A 120-277VAC S.P.	1			
HBL1221I	IVORY	20A 120-277VAC S.P.	1			
HBL1221R	RED	20A 120-277VAC S.P.	1			
HBL1221W	WHITE	20A 120-277VAC S.P.	1			
HBL1221OW	OFFICE WHITE	20A 120-277VAC S.P.	1			
HBL1222	BROWN	20A 120-277VAC D.P.	5			
HBL1222GY	GRAY	20A 120-277VAC D.P.	5			
HBL1222I	IVORY	20A 120-277VAC D.P.	5			
HBL1222R	RED	20A 120-277VAC D.P.	5			
HBL1222W	WHITE	20A 120-277VAC D.P.	5			
HBL1222OW	OFFICE WHITE	20A 120-277VAC D.P.	5			
HBL1222LA	LT. ALMOND	20A 120-277VAC D.P.	5			
HBL1223	BROWN	20A 120-277VAC 3W	3			
HBL1223BK	BLACK	20A 120-277VAC 3W	3			
HBL1223GY	GRAY	20A 120-277VAC 3W	3			
HBL1223I	IVORY	20A 120-277VAC 3W	3			
HBL1223R	RED	20A 120-277VAC 3W	3			
HBL1223W	WHITE	20A 120-277VAC 3W	3			
HBL1223OW	OFFICE WHITE	20A 120-277VAC 3W	3			
HBL1223LA	LT. ALMOND	20A 120-277VAC 3W	3			
HBL1224	BROWN	20A 120-277VAC 4W	5			
HBL1224BK	BLACK	20A 120-277VAC 4W	5			
HBL1224GY	GRAY	20A 120-277VAC 4W	5			
HBL1224I	IVORY	20A 120-277VAC 4W	5			
HBL1224R	RED	20A 120-277VAC 4W	5			
HBL1224W	WHITE	20A 120-277VAC 4W	5			
HBL1224OW	OFFICE WHITE	20A 120-277VAC 4W	5			
HBL1224LA	LT. ALMOND	20A 120-277VAC 4W	5			
HB_3031	BROWN	30A 120-277VAC S.P.	2			
HBL3031I	IVORY	30A 120-277VAC S.P.	2			
HB_3032	BROWN	30A 120-277VAC D.P.	6			
HBL3032I	IVORY	30A 120-277VAC D.P.	6			
HBL3032W	WHITE	30A 120-277VAC D.P.	6			
HB_3033	BROWN	30A 120-277VAC 3W	4			
HBL3033I	IVORY	30A 120-277VAC 3W	4			

FIGURE	DESCRIPTION	APP	DATE
6	ADDED CATALOG NOS. HBL1203BK, HBL1204BK, HBL1222AL, HBL1222LA, HBL1222OW & HBL1224LA AND SPECS. TO TABLE PER DCN 20354 DD.	TFH	03/05/14 <i>Rev 2/1/14</i>
5	ADDED CAT. HBL1223 LA TO TABLE. PER DCN# 19766. MJJ, PJB	MJJ	4/10/13
4	ADDED CAT. HBL3032W TO TABLE. PER DCN 17810 SPN	DJP	7/6/11
3	ADDED CAT. NO. 1'S HBL1221OW, HBL1223OW, & HBL1224OW TO TABLE. ADDED NOTE 3 AND DUAL DIMENSIONING PER DCN #13355. JMN	DJP	12/1/08
2	CONVERTED ALL DIMS TO 3 PL DECIMAL, ADDED TOL & NOTE 2 CHGD SCREWS TO TRI-DRIVE PER DCN #7793. AMZ	DB	7/27/00
1	"X" REMOVED; LAST X-REVISION WAS X-0 PER DCN # 2123. JMN	CJC	6/25/93
SYM	REVISIONS	APP	DATE

THE DESIGN AND DIMENSIONS OF THE PRODUCT SHOWN ON THIS DRAWING ARE SUBJECT TO CHANGE WITHOUT NOTICE	
TITLE FLUSH A.C. TOGGLE SWITCH	
TOLERANCES UNLESS OTHERWISE SPECIFIED	#IRING DEVICE-KELLEMS HUBBELL INCORPORATED SHELTON, CT
.XX ± .01	DR. EY JMN
.XXX ± .005	APP. BY CJC
ANGLES ± 2°	TR. EY
	SCALE
	CHK. BY
	DATE 8/25/93