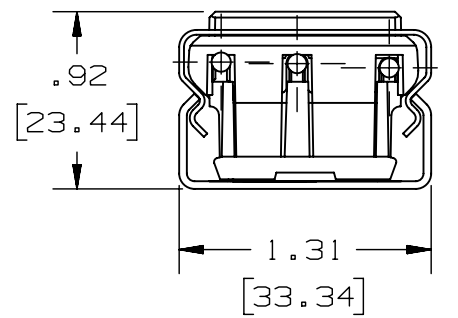
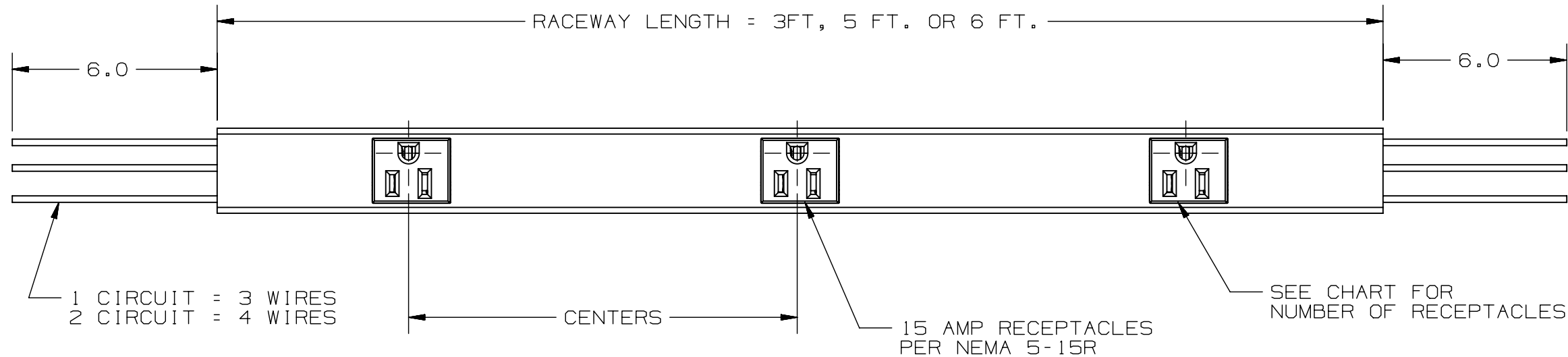


M-10434 2



- NOTES: 1) RECEPTACLES ARE LOCATED SYMMETRICALLY IN OVERALL LENGTH.
 2) CONDUCTORS - #12 THHN STRANDED WIRE.
 3) "IV" SUFFIX CATALOG NUMBERS ARE IVORY, "GY" CATALOG NUMBERS ARE GRAY.

NOTE: ALL DIMENSIONS IN INCHES AND [MM]

LIST OF PARTS

DESCRIPTION	MATERIAL	FINISH
HOUSING	STEEL	SEE NOTES
RECEPTACLES	PVC	SEE NOTES

DIMENSION SHEET FOR CAT. NO. SEE TABLE

REPAIRABLE NON-REPAIRABLE

CATALOG NUMBER	3FT.	5FT.	6FT.	1 CIRCUIT	2 CIRCUIT	CENTERS	NO. OF RECEPTACLES
HBL20GB5061V & HBL20GB506GY		X		X		6.0IN.	10
HBL20GB5121V & HBL20GB512GY		X		X		12.0IN.	5
HBL20GBA5121V & HBL20GBA512GY		X			X	12.0IN.	5
HBL20IG5121V & HBL20IG512GY		X		X		12.0IN.	5
HBL20GB6061V & HBL20GB606GY			X	X		6.0IN.	12
HBL20GB6091V & HBL20GB609GY			X	X		9.0IN.	8
HBL20GB6121V & HBL20GB612GY			X	X		12.0IN.	6
HBL20GB6181V & HBL20GB618GY			X	X		18.0IN.	4
HBL20GBA6091V & HBL20GBA609GY			X		X	9.0IN.	8
HBL20GBA6121V & HBL20GBA612GY			X		X	12.0IN.	6
HBL20GBA6181V & HBL20GBA618GY			X		X	18.0IN.	4
HBL20IG6061V & HBL20IG606GY			X	X		6.0IN.	12
HBL20GB3061V & HBL20GB306GY	X			X		6.0IN.	6
HBL20IG3061V & HBL20IG306GY	X			X		6.0IN.	6
HBL20GBA606W & HBL20GBA606BK			X		X	6.0IN.	12

2	ADDED CAT# HBL20GBA606W & HBL20GBA606BK TO TABLE. PER DCN# 23036	EMD	4/18/17
1	RELEASED PER DCN13549	SRE	11/14/06
SYM	REVISIONS	APP	DATE

THE DESIGN AND DIMENSIONS OF THE PRODUCT SHOWN ON THIS DRAWING ARE SUBJECT TO CHANGE WITHOUT NOTICE

TITLE: PLUGTRAK-METALLIC MULTI-OUTLET ASSEMBLIES 15 AMP

TOLERANCES UNLESS OTHERWISE SPECIFIED	WIRING DEVICE-KELLEMS HUBBELL INCORPORATED BRIDGEPORT, CT	
FRACTIONS ± 1/64	DR. BY SRE	APP. BY SRE
DECIMALS ± .005	TR. BY	SCALE 1:1
ANGLES ± 2°	CHK'D BY SRE	DATE 11/14/06

M-10434

2