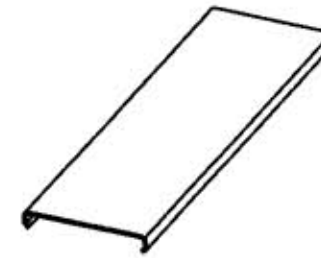
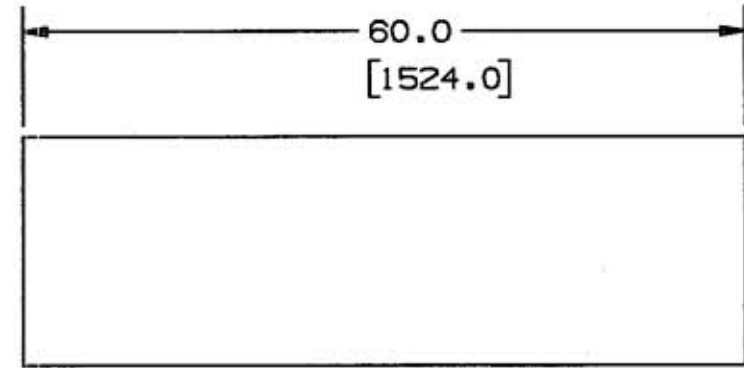
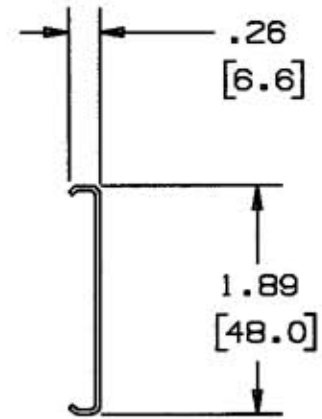


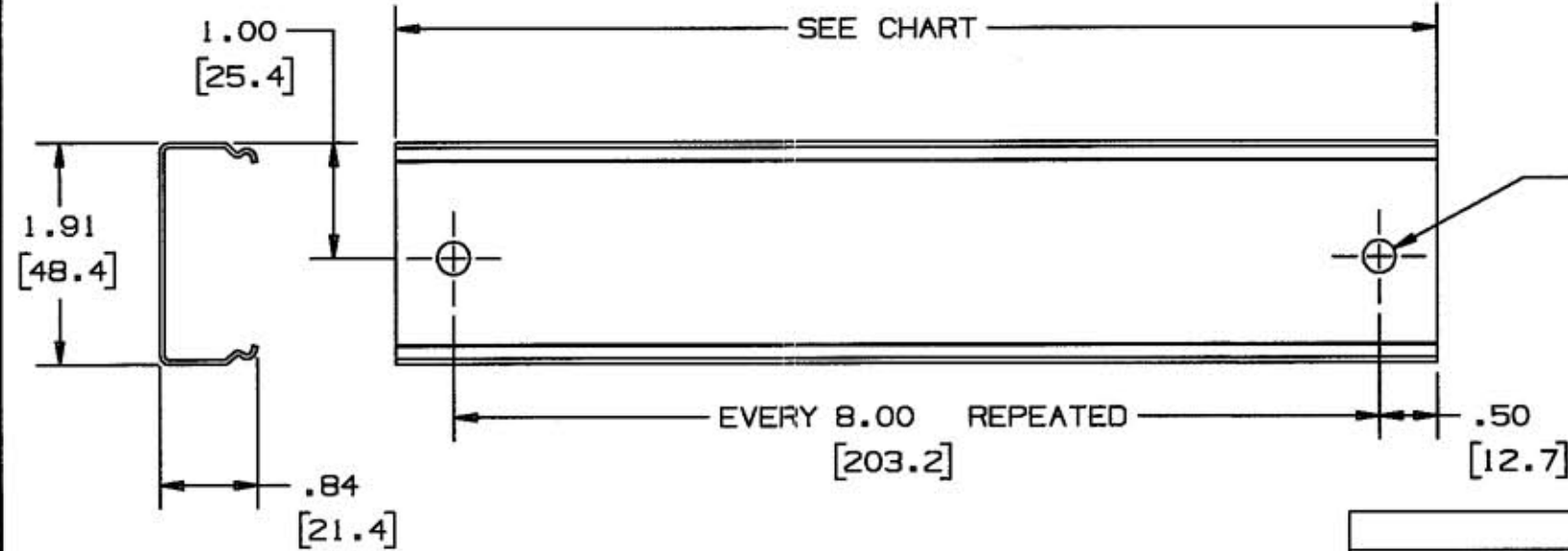
M-10322 1



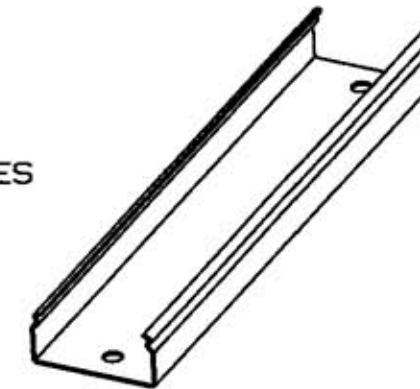
RACEWAY COVER	
CAT. NO.	COLOR
HBL2400BCIV	IVORY
HBL2400CIV	IVORY

LIST OF PARTS

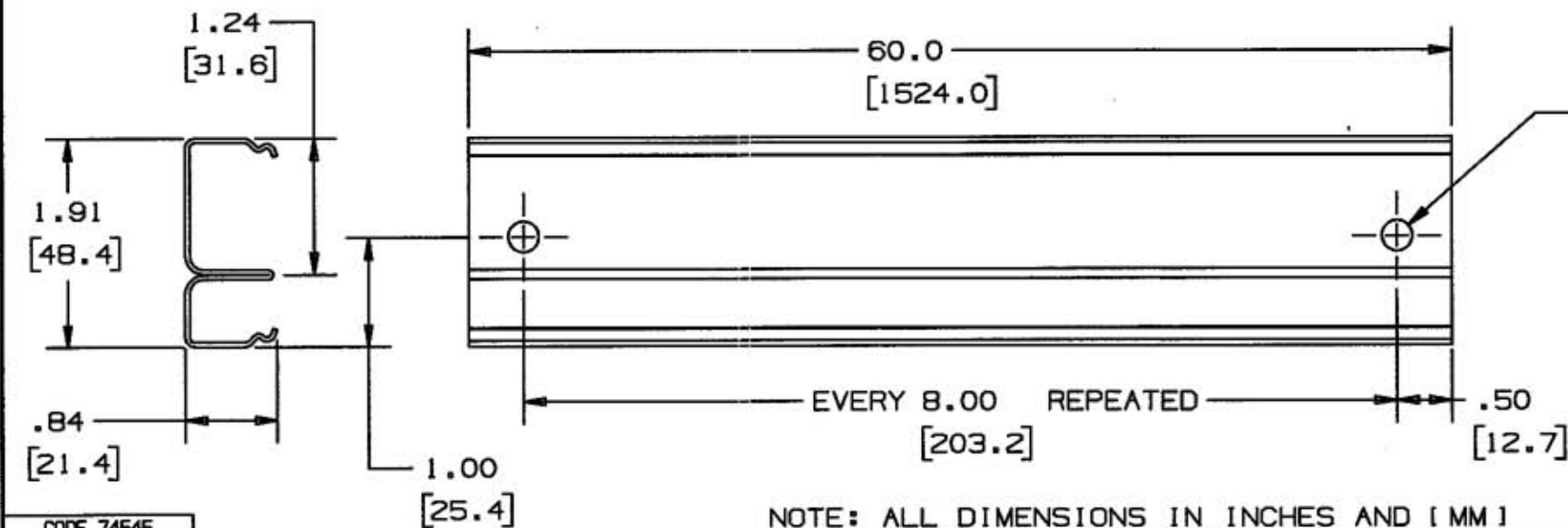
DESCRIPTION	MATERIAL	FINISH
RACEWAY COVER	STEEL	PAINTED
RACEWAY BASE	STEEL	PAINTED



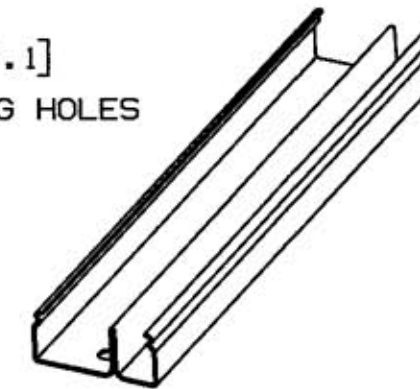
ϕ .28 [7.1]
MOUNTING HOLES



RACEWAY BASE, UNDIVIDED		
CAT. NO.	COLOR	LENGTH
HBL2400BCIV	IVORY	60.0 [1524.0]
HBL2400BIV	IVORY	60.0 [1524.0]
HBL2000B10IV	IVORY	120.0 [3048.0]



ϕ .28 [7.1]
MOUNTING HOLES



RACEWAY BASE, DIVIDED	
CAT. NO.	COLOR
HBL2000BDIV	IVORY

NOTE: ALL DIMENSIONS IN INCHES AND [MM]

1	RELEASED PER DCN13354	SRE	2/15/07
SYM	REVISIONS	APP	DATE

THE DESIGN AND DIMENSIONS OF THE PRODUCT SHOWN ON THIS DRAWING ARE SUBJECT TO CHANGE WITHOUT NOTICE

TITLE RACEWAY BASE AND COVER
HBL2400 & HBL2400D SERIES

TOLERANCES UNLESS OTHERWISE SPECIFIED
FRACTIONS \pm 1/64
DECIMALS \pm .005
ANGLES \pm 2°

WIRING DEVICE-KELLEMS
HUBBELL INCORPORATED
BRIDGEPORT, CT
DR. BY SRE APP. BY *fw*
TR. BY *jm* SCALE 1:1
CHK'D BY *jm* DATE 2/15/07

DIMENSION SHEET FOR CAT. NO. M-10322
REPAIRABLE NON-REPAIRABLE