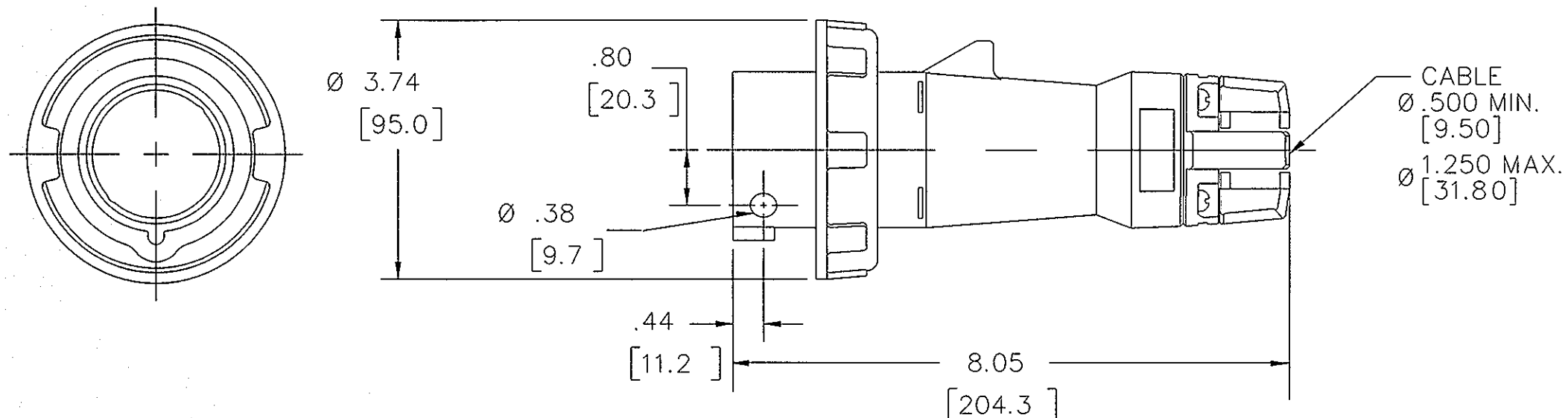


M-6055 7



LIST OF PARTS

DESCRIPTION	MATERIAL	FINISH
HOUSING	SEE TABLE	
GASKET	NEOPRENE	
LOCK RING	POLYESTER	
INTERIOR	THERMOSET	
PINS	BRASS	
TERMINAL SCREWS	ST. STEEL	
GLAND CAP	POLYESTER	
GLANDS	NEOPRENE	
CLAMPS	POLYESTER	
CLAMP NUTS	BRASS	NICKEL
ASSEMBLY SCREWS	ST. STEEL	

WHD 3/11/16

7	ADDED ALL HBLs CAT NO.s Ø.500 MIN CABLE SIZE WAS Ø.375 PER DCN 21767 WHD	WHD	1/20/16
6	RATING FOR CATALOG HBL330P6V03 30A WAS 32A PER DCN 19175 RGP	TLS	10/25/12
5	ADDED POLARITY TO HBL330P8V0DC, CORRECTED PIN CONFIG. ON HBL330P6V03 PER DCN16648 MYA TLS	TLS	5/4/10
4	ADDED CAT. HBL330P8V0DC PER DCN 16502 SPN TLS	MJM	4/12/10
3	REDRAWN ON CAD WITH CHANGES, ADDED "&32A" TO DWG. TITLE, "HOUSING" AND "COMMENTS" COLUMNS PLUS CAT. NO. HBL330P6V03 TO TABLE, HOLE AND DIM'S TO VIEW, AND NOTES 1 & 2. IN TABLE, REMOVED CAT. NO'S HBL330P3W, HBL330P5W & 330-9W, "A" WAS "AMP" AND "110130VAC" WAS "110/120VAC" IN LIST OF PARTS, "SEE TABLE" WAS "NYLON" AND "NEOPRENE" WAS "RUBBER" IN (2) PLACES, "CABLE Ø.375[9.5] MIN.Ø1.250[31.8] MAX" WAS "CABLE DIA. .590 14.98MM MIN. 1.100 27.94MM MAX" "Ø" WAS "DIA." AND "(XX.X)" WAS "MM". SUPERSEDES DRAWING DATED 5/2/80 PER DCN #12944. JMN	DJP	6/7/06

CAT NO.	CONFIGURATION	RATING	HOUSING		CAT. NO.	CONFIGURATION	RATING	HOUSING	
			MATERIAL	COLOR				MATERIAL	COLOR
HBL330P4W		30A 125 VAC	NYLON	YELLOW	HBL330P6W		30A 250 VAC	PBT	BLUE
HBL332P4W		30A 125 VAC 32A 110-120 VAC	NYLON	YELLOW					
HBL330P4W		30A 125 VAC	PBT	YELLOW	HBL330P7W		30A 480 VAC	NYLON	RED
HBL332P4W		30A 125 VAC 32A 110-120 VAC	PBT	YELLOW	HBL330P7W		30A 480 VAC	PBT	RED
HBL330P6W HBL332P6W		30A 250 VAC 32A 222-240 VAC	NYLON	BLUE	HBL330P8V0DC		30A 550VDC	PBT	BLACK
HBL330P6V03		30A 250 VAC	PBT	BLUE					

NOTES: (UNLESS OTHERWISE SPECIFIED)
 1) TOLERANCES ARE:
 DECIMALS ±.03
 ANGLES ± 2°
 2) DIMENSIONS ARE INCHES
 [MILLIMETERS]

SYM	REVISIONS	APP	DATE

THE DESIGN AND DIMENSIONS OF THE PRODUCT SHOWN ON THIS DRAWING ARE SUBJECT TO CHANGE WITHOUT NOTICE

TITLE 30A & 32A 2 POLE 3 WIRE PIN AND SLEEVE PLUGS

TOLERANCES UNLESS OTHERWISE SPECIFIED		WIRING DEVICE-KELLEMS HUBBELL INCORPORATED SHELTON, CT	
FRACTIONS	±/64	DR. BY	MJK
DECIMALS	±.005	APP. BY	DJP
ANGLES	±2°	TR. BY	JMN
		SCALE	NONE
		CHK'D BY	DJP
		DATE	6/7/06

DIMENSION SHEET FOR CAT. NO. SEE TABLE REPAIRABLE NON-REPAIRABLE B M-6055 7