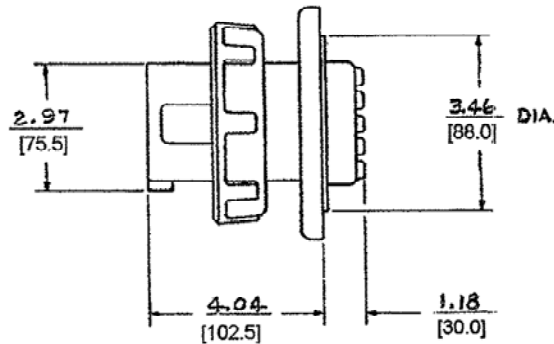
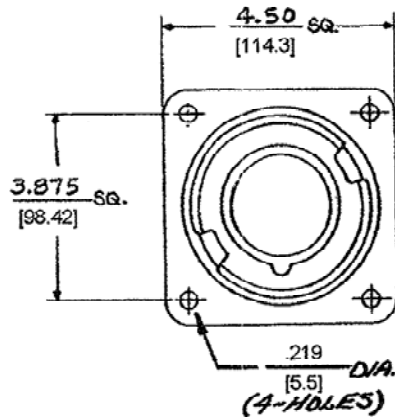


M-6078 7



NOTE: INCHES [mm]

LIST OF PARTS

DESCRIPTION	MATERIAL	FINISH
1. HOUSING	SEE TABLE	
2. GASKET	RUBBER	
3. LOCK RING	POLYESTER	
4. INTERIOR	THERMOSET	
5. PINS	BRASS	
6. TERM. SCRS.	STAIN. STEEL	
7. FLANGE	NYLON	
8. ASS'Y SCRS.	STAIN. STEEL	

7	ADDED CAT. # HBL460B6V02 AND SPECS TO TABLE PER DCN 18699 DDL	CAC	04/24/12
6	ADDED CAT. NO. HBL460B9V05 PER DCN 17783. MYA	DJP	6/24/11
5	ADDED CAT. NO. HBL460B5WS PER DCN 11116	RDK	8/27/03 SPN
4	ADDED HOUSING COLUMNS 380 - 415 VAC WAS 380 VAC .219 WAS 7/32, ADDED NOTE, SEE TABLE WAS NYLON PER DCN8695 JMN	DB	11/7/01
3	ADDED "HBL" TO CAT # EC# TIES	RDK	10-7-99
2	CHANGED REACTIONAL DIMS TO DECIMAL DIMS & REVISED LIST OF PARTS	MM	7-18-91
1	TABLE		10-25-92 AFM
SYM	REVISIONS	APP	DATE

CAT. NO.	CONFIGURATION	RATING	HOUSING		CAT. NO.	CONFIGURATION	RATING	HOUSING	
			COLOR	MATERIAL				COLOR	MATERIAL
					HBL460B7W		60A 3Ø 480 VAC	RED	NYLON
HBL460B6V02		60A 380-415 VAC 63A 380-415 VAC	RED	VALOX	HBL460B9W		60A 3Ø 250 VAC	BLUE	NYLON
HBL460B5WS		60A 3Ø 600VAC PILOT CONTACT A600	BLACK	NYLON	HBL460B9V05		60A 3Ø 250 VAC	BLUE	VALOX
HBL460B5W		60A 3Ø 600VAC	BLACK	NYLON					
HBL463B6W		63 AMP 380-415 VAC	RED	NYLON	HBL460B12W		60 AMP 125/250 VAC	ORANGE	NYLON

TITLE
60 & 63A 3 POLE 4 WIRE
PILOT SLEEVE INLETS

TOLERANCES UNLESS OTHERWISE SPECIFIED	HARVEY HUBBELL, INC.	
	BRIDGEPORT, CONN.	
DECIMALS ± .03	DR. BY W.J.C.	APP. BY
ANGLES ± 2°	TR. BY	SCALE
	CHKD. BY	DATE 4/23/80

CODE 74545

DIMENSION SHEET FOR CAT. NO. SEE TABLE
 REPAIRABLE NON-REPAIRABLE
B
M-6078
7