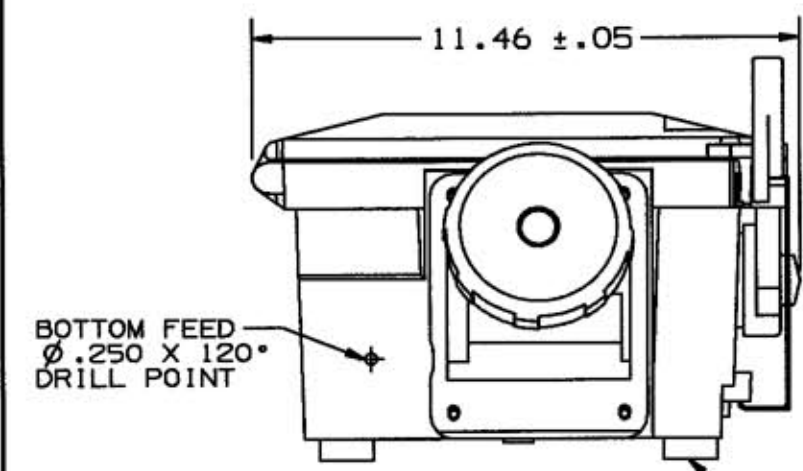
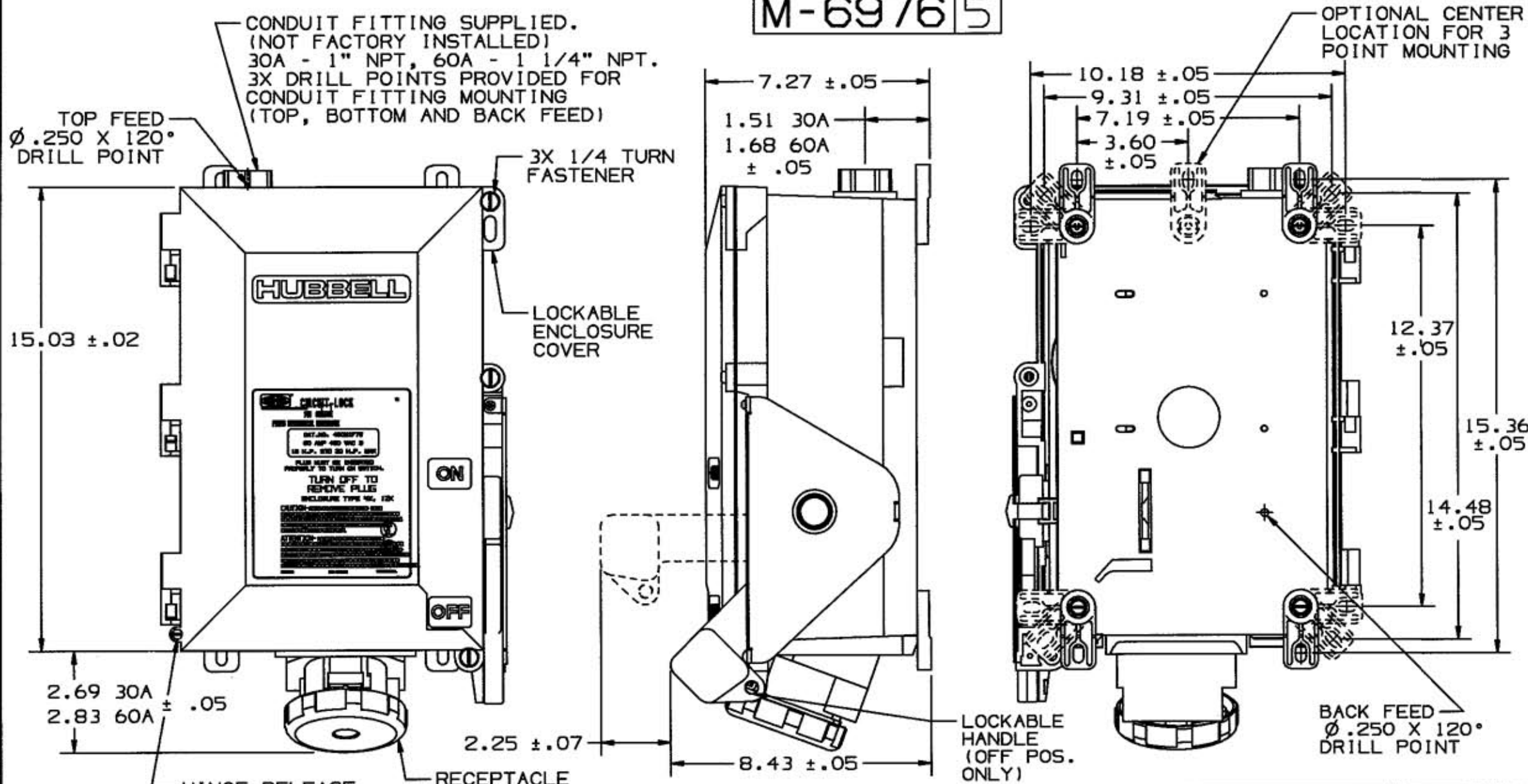


M-6976 5



4X MOUNTING FEET ADJUST IN ANY OF 1 OF 3 POSITIONS. SLOTS WILL ACCEPT UP TO 5/16" OR 8mm SCREWS (NOT PROVIDED).

CAT. NOS.	AMPS	RATING	STD HP	MAX. HP	P&S PLUG CAT. NO.	POLES	WIRES	COLOR CODE
HBL430MIF5W	30	600VAC 3 ϕ	7.5	20.0	HBL430P5W	3	4	BLACK
HBL430MIF7W	30	480VAC 3 ϕ	5.0	15.0	HBL430P7W	3	4	RED
HBL430MIF9W	30	240VAC 3 ϕ	3.5	7.5	HBL430P9W	3	4	BLUE
HBL430MIF12W	30	120/240VAC	1.5	3.0 \triangle	HBL430P12W	3	4	ORANGE
HBL530MIF5W	30	347/600VAC 3 ϕ Y	7.5	20.0	HBL530P5W	4	5	BLACK
HBL530MIF7W	30	277/480VAC 3 ϕ Y	5.0	15.0	HBL530P7W	4	5	RED
HBL460MIF5W	60	600VAC 3 ϕ	15.0	40.0	HBL460P5W	3	4	BLACK
HBL460MIF7W	60	480VAC 3 ϕ	15.0	30.0	HBL460P7W	3	4	RED
HBL460MIF9W	60	240VAC 3 ϕ	7.5	15.0	HBL460P9W	3	4	BLUE
HBL460MIF12W	60	120/240VAC	3.0	7.5 \triangle	HBL460P12W	3	4	ORANGE
HBL460MIF5WS	60	600VAC 3 ϕ	15.0	40.0	HBL460P5WS	3	4	BLACK
HBL560MIF9W	60	120/208VAC 3 ϕ Y	7.5	15	HBL560P9W	4	5	BLUE

NOTES: UNLESS OTHERWISE SPECIFIED:
 1. ENCLOSURE TYPE OUTDOOR/INDOOR (4X WATERTIGHT, CORROSION RESISTANT) AND INDOOR (12K DUSTTIGHT).
 2. UL LISTED AND CSA CERTIFIED.
 3. RECEPTACLE IS IEC 309-1 & 309-2 PIN & SLEEVE.
 4. TERMINAL ACCOMMODATION - 30A 14-8AWG; 60A 14-4AWG COPPER WIRE ONLY
 5. CLASS "J" FUSES NOT SUPPLIED

\triangle - (208-240VAC L-L)

DESCRIPTION	MATERIAL	FINISH
ALL EXTERNAL PLASTIC PARTS	UV STABILIZED POLYESTER BLEND	GRAY
ALL EXTERNAL SCREWS	STAINLESS STEEL	
THREADED HUB	DIE CAST	
INSULATED THROAT	ZINC	

5	ADDED NOTES 4 & 5, CAT. NO. HBL560M19W PER DCN # 11906 PJT	RDK RDK	8/9/04
4	ADDED CAT. NO. HBL460M15WS PER DCN 11116 SPN	RDK	8/27/03
3	ADDED TOL TO ALL DIMS PER DCN #7793. AMZ	DB	7-27-00
2	ADDED "HBL" TO CAT # EC 7185	RDK	10-7-99
1	RELEASED PER DCN #1843 RCM	MP	3/22/93
SYM	REVISIONS	APP	DATE

THE DESIGN AND DIMENSIONS OF THE PRODUCT SHOWN ON THIS DRAWING ARE SUBJECT TO CHANGE WITHOUT NOTICE

TITLE
 DIMENSION SHEET FOR 30 & 60 AMP FUSED MECHANICAL INTERLOCK

TOLERANCES UNLESS OTHERWISE SPECIFIED	WIRING DEVICE DIVISION HUBBELL, INCORPORATED BRIDGEPORT, CT	
FRACTIONS $\pm 1/64$	DR. BY RCM	APP. BY JJD
DECIMALS $\pm .005$	TR. BY	SCALE 1:4
ANGLES $\pm 2^\circ$	CHK'D BY TCM	DATE 3/22/93

DIMENSION SHEET FOR CAT. NO. M-6976
 REPAIRABLE NON-REPAIRABLE B
 SEE TABLE
 5