

## Pin and Sleeve

60A, 600/250V AC/DC, 3 Pole, 4 Wire

## Insulgrip® Mechanical Interlocks

### Features

- Spring-loaded receptacle liftcover with gasket
- High visibility red handle can be locked in the OFF position

### Ordering Information

<b>Description</b>	<b>UPC</b>	<b>Catalog Number</b>
Unfused, Insulgrip, Mechanical Interlocks	783585514895	HBL460MIS2W

**Device Color**  
Gray

### Standards

UL Listed for US and Canada

### Specifications

Base, Door and Handle	Valox®
Enclosure Gasket	Neoprene
Shaft	Brass
Ground Plate	Galvanized Steel
Enclosure Screws	Stainless Steel
Hinge Pin	Nickel-Plated Brass

### Performance

#### Electrical

Current Interrupting	Certified for current interrupting at full rated current and voltage
Dielectric Voltage	Withstands 3,000VAC Min.
Max. Working Voltage	250VDC/600VAC
Operations	Mechanical 10,000 cycles minimum

#### Mechanical

Impact Resistance	In accordance with UL 746C
Mounting	External adjustable feet
Product Identification	Ratings are part of the external label and molded into the receptacle housing
Terminal Identification	In accordance with UL, CSA and international conventions

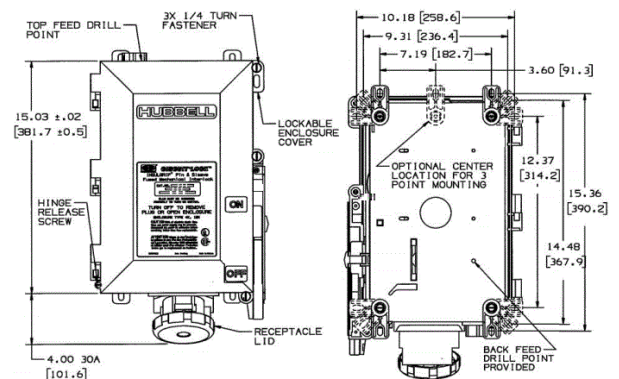
#### Environmental

Flammability	UL94-5VA and V-0 Classification
Ingress Protection	IP66 Suitability
Operating Temperatures	Max. Continuous +60°C; Min. Continuous -40°C w/o impact

### Online Resources

Customer Use Drawing  
eCatalog  
Installation Instructions

# HUBBELL



Dimensions in Inches (mm)

Hubbell Wiring Device-Kellems • Hubbell Incorporated (Delaware) • 40 Waterview Drive • Shelton, CT 06484

Phone (800) 288-6000 • Fax (800) 255-1031 • Specifications subject to change without notice.

