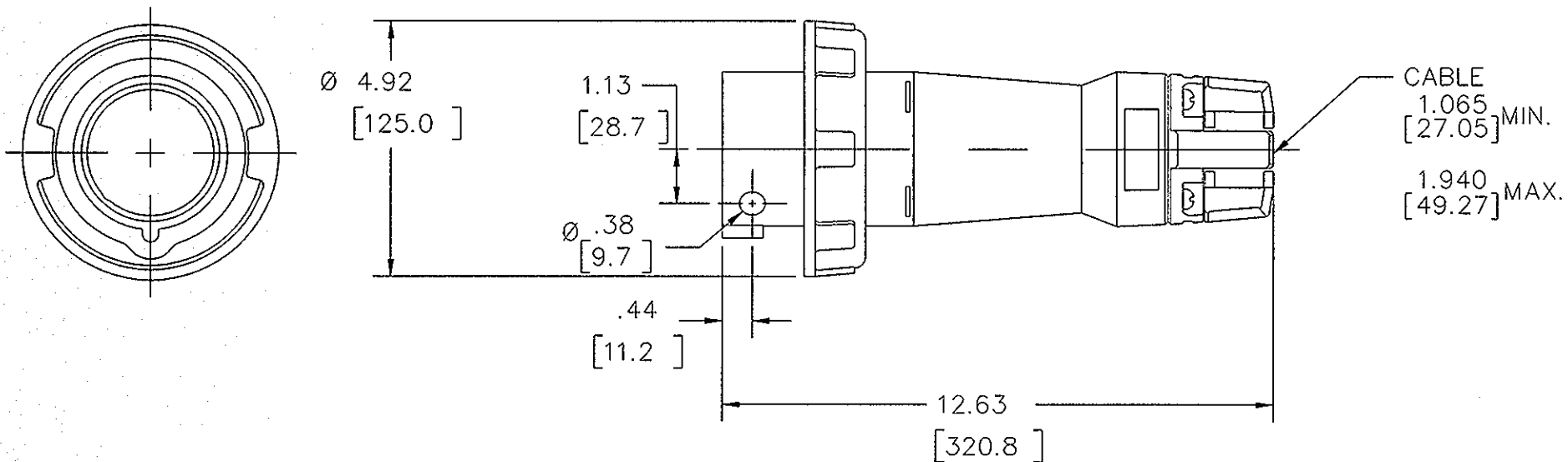


M-6095 9



LIST OF PARTS		
DESCRIPTION	MATERIAL	FINISH
HOUSING	SEE TABLE	
GASKET	NEOPRENE	
LOCK RING	POLYESTER	
INTERIOR	THERMOSET	
PINS	BRASS	
TERM. SCREWS	STAIN. STEEL	
GLAND CAP	POLYESTER	
GLANDS	NEOPRENE	
CLAMPS	POLYESTER	
CLAMP NUTS	BRASS	NICKEL
ASS'Y SCRS	STAIN. STEEL	

DIMENSION SHEET FOR CAT. NO.

SEE TABLE


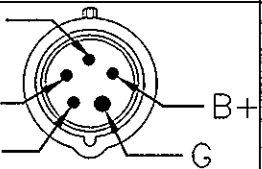

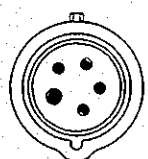
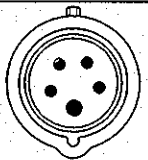
REPAIRABLE

NON-REPAIRABLE

B

M-6095

9

CAT NO.	CONFIGURATION	RATING	HOUSING		CAT. NO.	CONFIGURATION	RATING	HOUSING	
			MATERIAL	COLOR				MATERIAL	COLOR
					HBL5100P7W		100A 3ØY 277/480 VAC	NYLON	RED
					HBL5100P8V0DC		100 A 400 VDC	PBT	RED
					HBL5100P9W		100A 3ØY 120/208 VAC	NYLON	BLUE
HBL5100P5W		100 A 3ØY 347/600 VAC	NYLON	BLACK					
HBL5125P6W		125 A 220/380VAC 240/415 VAC	NYLON	RED					

9	UPDATED GRAPHIC DCN22052 Mr.B TLS	Mr.B	4/21/16
8	ADDED POLARITY TO HBL5100P8CV0DC, PER DCN16648 MYA TLS	TLS	5/11/10
7	ADDED CAT. HBL5100P8V0DC PER DCN 16502 SPN TLS	MJM	4/9/10
6	REDRAWN ON CAD WITH CHANGES, ADDED "HOUSING" AND "COMMENTS" COLUMNS TO TABLE, HOLE AND DIMS TO VIEW, AND NOTES 1& 2, IN TABLE, ADDED 240/415 VAC TO CAT. NO. HBL512508W AND "A" WAS "AMP" IN LIST OF PARTS, "SEE TABLE" WAS "NYLON" AND "NEOPRENE" WAS "RUBBER" IN (2) PLACES, "CABLE" 1.065[27.05]MIN.Ø1.940 [49.27] MAX" WAS "CABLE DIA. 1.168 29.45MM MIN.1.940 49.27 MM MAX" "Ø" WAS "DIA." AND "(XX.X)" WAS "MM". SUPERSEDES DRAWING DATED 5/13/80 PER DCN #12944. JMN	DJP	5/28/06

SYM	REVISIONS	APP	DATE

THE DESIGN AND DIMENSIONS OF THE PRODUCT SHOWN ON THIS DRAWING ARE SUBJECT TO CHANGE WITHOUT NOTICE

TITLE 100A & 125A 4 POLE 5 WIRE PIN AND SLEEVE PLUGS

NOTES: (UNLESS OTHERWISE SPECIFIED)
1) TOLERANCES ARE:
DECIMALS ±.03
ANGLES ± 2°
2) DIMENSIONS ARE INCHES
[MILLIMETERS]

TOLERANCES UNLESS OTHERWISE SPECIFIED			
.XX = ±.01			
.XXX = ±.005			
ANGLES = ±2°			

WRING DEVICE-KELLEMS HUBBELL INCORPORATED SHELTON, CT			
DR. BY	MJK	APP. BY	DJP
TR. BY	JMN	SCALE	NONE
CHK'D BY	DJP	DATE	6/28/06