

Raceway  
Aluminum Raceway  
HBLALU4800 Series Grounding Adapter

# HUBBELL

### Features

- For connection of equipment grounding.
- #10-32 Locking screws included.

### Ordering Information

Description	Material	UPC Number	Catalog Number
Grounding Adapter	Galvanized Steel	783585218618	HBLALU09

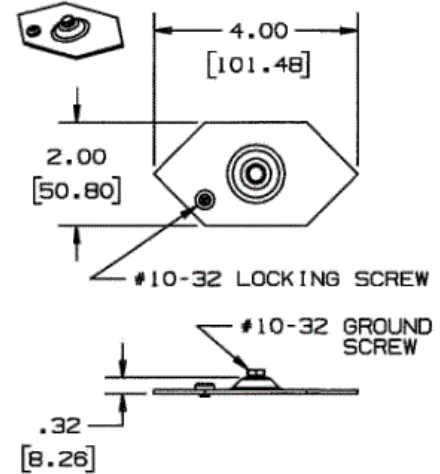


### Listings

UL Listed  
CSA Certified

### Specifications

Height	0.2"
Width	4.00"
Length	2.00"



### Online Resources

Customer Use Drawing  
eCatalog  
Installation Instructions

Dimensions in Inches (mm)

Hubbell Wiring Device-Kellems • Hubbell Incorporated (Delaware) • 40 Waterview Drive • Shelton, CT 06484

Phone (800) 288-6000 • Fax (800) 255-1031 • Specifications subject to change without notice.

