

**Raceway**  
**Aluminum Raceway**  
**HBLALU4800 Series Two Channel**  
**Entrance End Fitting**

# HUBBELL

**Features**

- For feeding raceway, has two concentric 1/2 in. and 3/4 in. trade size KOs.

**Ordering Information**

Description	Material	UPC Number	Catalog Number
Entrance End Fitting	Anodized Aluminum	783585218779	HBLALU4810B2

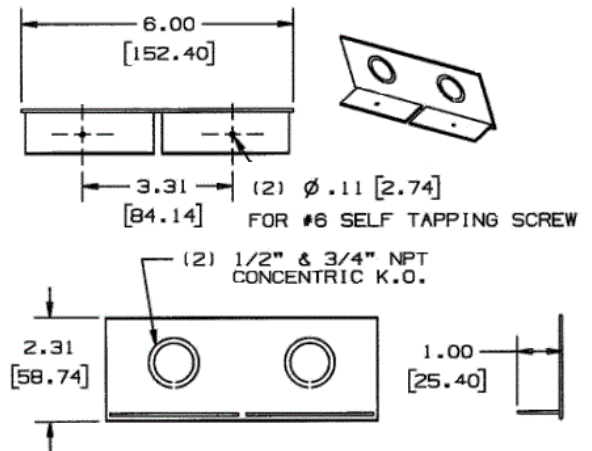


**Listings**

UL Listed  
 CSA Certified

**Specifications**

Height	2.31"
Width	6.00"
Length	0.20"



**Online Resources**

Customer Use Drawing  
 eCatalog  
 Installation Instructions

Dimensions in Inches (mm)

Hubbell Wiring Device-Kellems • Hubbell Incorporated (Delaware) • 40 Waterview Drive • Shelton, CT 06484

Phone (800) 288-6000 • Fax (800) 255-1031 • Specifications subject to change without notice.

