

Raceway  
Aluminum Raceway  
HBLALU4800 Series Two Channel Blank  
End Fitting

# HUBBELL

### Features

- For closing end of raceway.

### Ordering Information

Description	Material	UPC Number	Catalog Number
Blank End Fitting	Anodized Aluminum	783585218762	HBLALU4810B

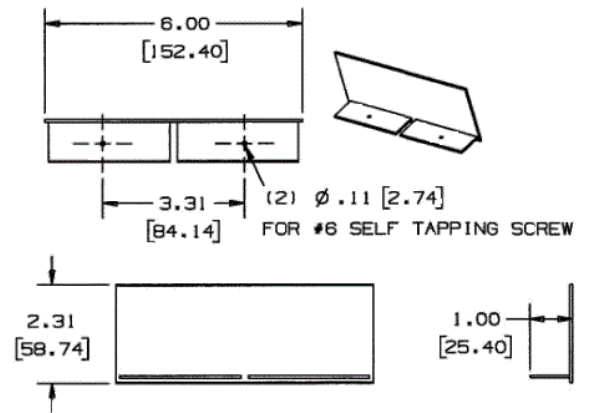


### Listings

UL Listed  
CSA Certified

### Specifications

Height	2.31"
Width	6.00"
Length	0.20"



### Online Resources

Customer Use Drawing  
eCatalog  
Installation Instructions

Dimensions in Inches (mm)

Hubbell Wiring Device-Kellems • Hubbell Incorporated (Delaware) • 40 Waterview Drive • Shelton, CT 06484

Phone (800) 288-6000 • Fax (800) 255-1031 • Specifications subject to change without notice.

