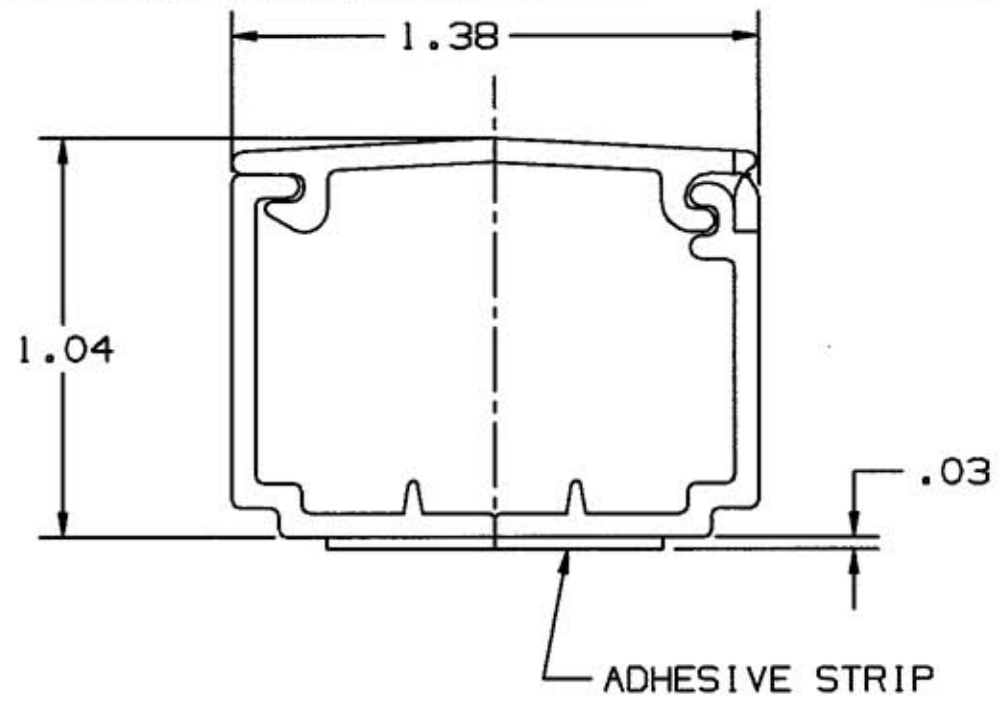
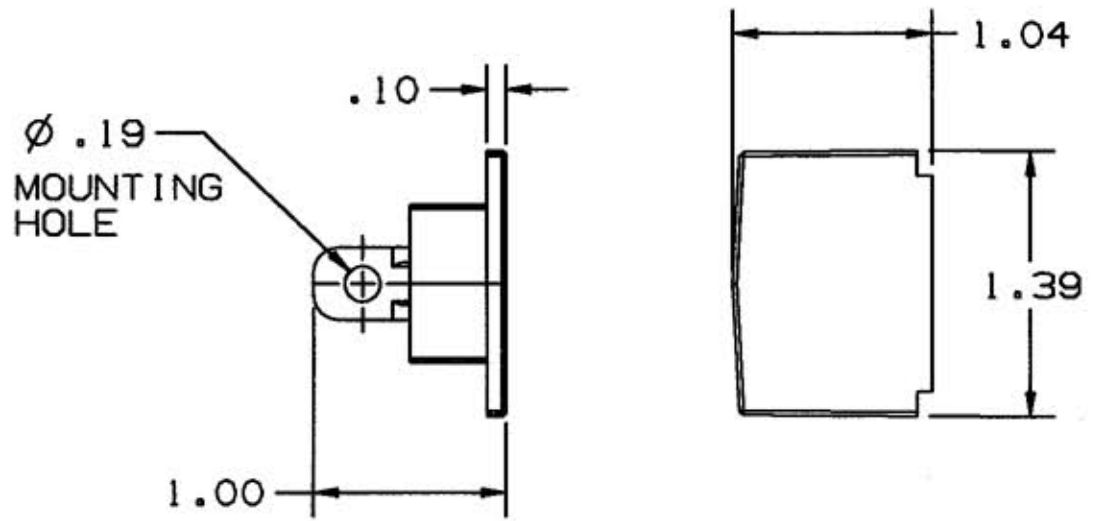
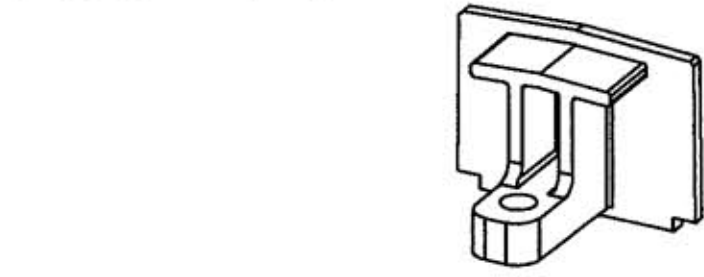


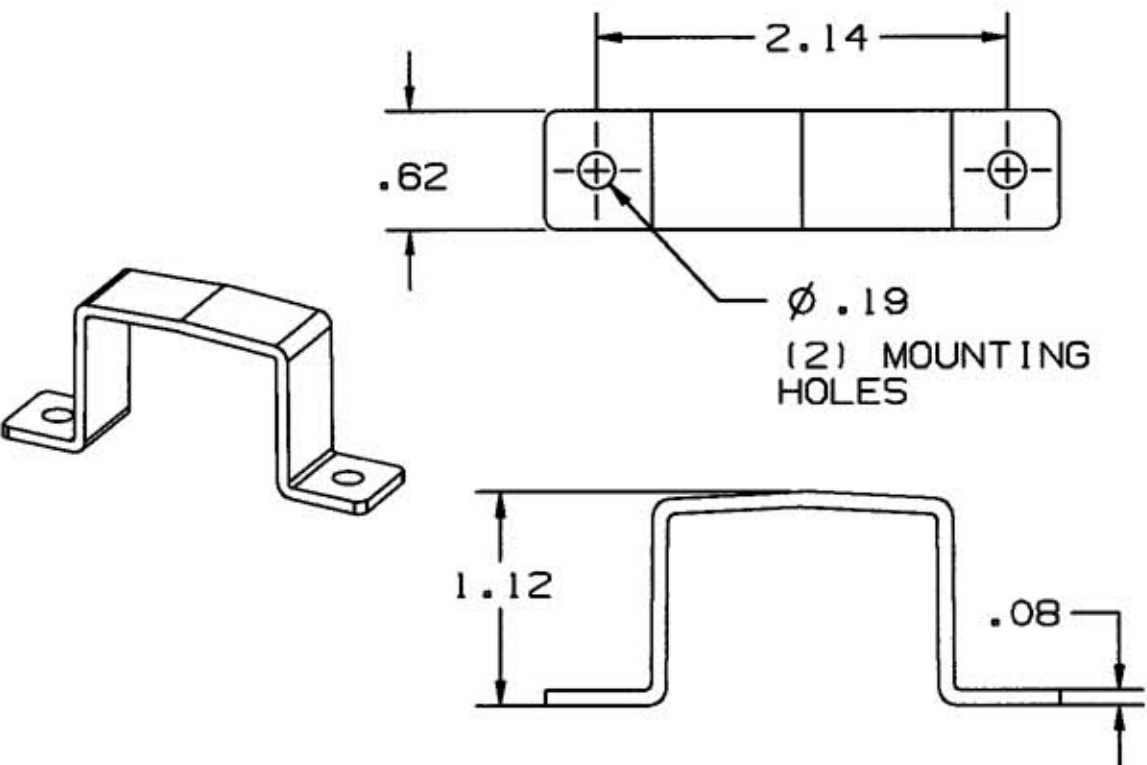
M-8244 1



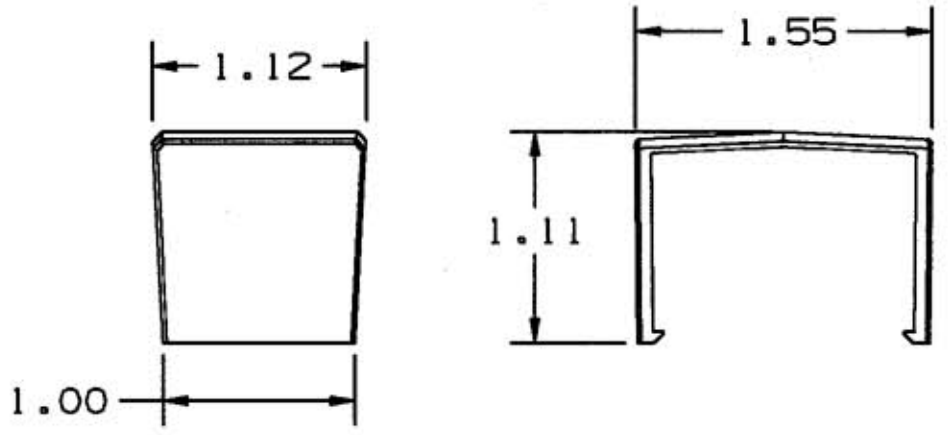
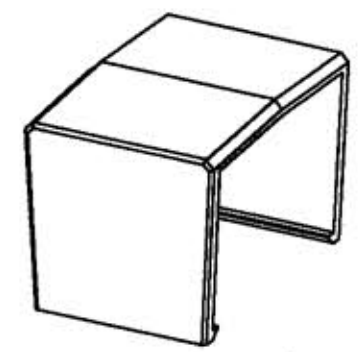
RACEWAY - 5 FT = PL1BC5
 RACEWAY - 7 FT = PL1BC7
 RACEWAY, WITH ADHESIVE, 5 FT = PL1ABC5
 RACEWAY, WITH ADHESIVE, 7 FT = PL1ABC7



END CAP PL1EC



SECURITY STRAP/SPLICE COVER PL1SS



SPLICE COVER PL1SC

LIST OF PARTS

DESCRIPTION	MATERIAL	FINISH
RACEWAY	PVC	OFFICE WHITE
END CAP	PVC	OFFICE WHITE
SPLICE COVER	PVC	OFFICE WHITE
SECURITY STRAP/SPLICE COVER	PVC	OFFICE WHITE

DIMENSION SHEET FOR CAT. NO.

REPAIRABLE NON-REPAIRABLE

1	RELEASED PER DCN 7981	9/1/00
SYM	REVISIONS	APP DATE

THE DESIGN AND DIMENSIONS OF THE PRODUCT SHOWN ON THIS DRAWING ARE SUBJECT TO CHANGE WITHOUT NOTICE

TITLE RACEWAY & FITTINGS, PL1 LANTRAK

TOLERANCES UNLESS OTHERWISE SPECIFIED FRACTIONS ±1/64 DECIMALS ±.005 ANGLES ±2°	WIRING DEVICE-KELLEMS HUBBELL INCORPORATED BRIDGEPORT, CT	
	DR. BY SRE	APP. BY SRE
	TR. BY	SCALE ---
	CHK'D BY SRE	DATE 2/23/00