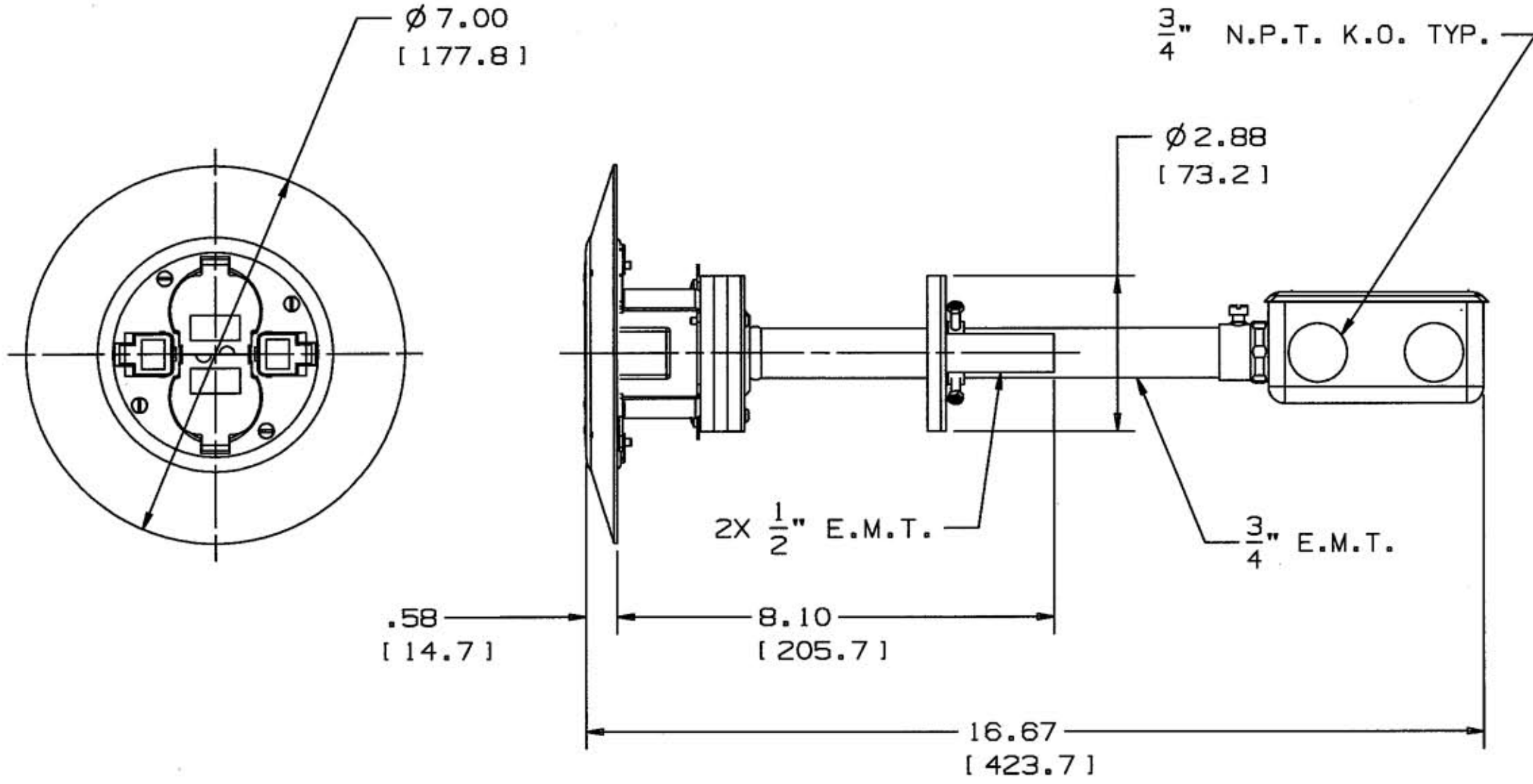


M-9073 3



NOTE:
 1. DIM'S. INCHES [MM].
 2. PRODUCT MUST MEET UL & CSA CONSTRUCTION, PERFORMANCE & MARKING REQUIREMENTS.
 3. .XX TOLERANCES TO BE ± .03

CATALOG NUMBER	DESCRIPTION	FLANGE MATERIAL	COLOR
PT2X2GY	1 PIECE FITTING, GRAY COVER	ALUMINUM	GRAY
PT2X2BRS3	1 PIECE FITTING, BLACK COVER	BRASS	NATURAL
PT2X2BRS	1 PIECE FITTING, BRASS FINISH COVER	BRASS	BRASS
PT2X2BL	1 PIECE FITTING, BLACK COVER	ALUMINUM	BLACK
PT2X2IGGY	1 PIECE FITTING, GRAY COVER	ALUMINUM	GRAY
PT2X2IGBRS3	1 PIECE FITTING, BLACK COVER	BRASS	NATURAL
PT2X2IGBRS	1 PIECE FITTING, BRASS FINISH COVER	BRASS	BRASS
PT2X2IGBL	1 PIECE FITTING, BLACK COVER	ALUMINUM	BLACK
PT2X2CGY	REPLACEMENT COVER	ALUMINUM	GRAY
PT2X2CBL	REPLACEMENT COVER	ALUMINUM	BLACK
PT2X2SFBR3	BRASS FINISH COVER	BRASS	BRASS
PT2X2SFGY		ALUMINUM	GRAY
PT2X2SFBR33	BLACK COVER	BRASS	NATURAL
PT2X2CBRS	BRASS FINISH REPLACEMENT COVER	BRASS	BRASS
PT2X2SFBL	BLACK COVER	ALUMINUM	GRAY

DESCRIPTION	MATERIAL	FINISH
FLANGE	SEE TABLE	SEE TABLE
GASKET	NEOPRENE	BLACK
FLAP COVER ASSEMBLY	ABS	SEE TABLE
FLAP GASKETS	NEOPRENE	BLACK
RECEPTACLE HOUSING	NYLON	BLACK
RECEPTACLE CONTACTS	BRASS	NATURAL
FIRE BARRIERS	FIRE BARRIER MAT'L	

NO.	DESCRIPTION	APP	DATE
3	REMOVED VINYL COATED FROM FIRE BARRIER IN LIST OF PARTS PER DCN 13699 RCM	DJP	1/29/07
2	ADDED NOTE 3; ADDED "3/4" N.P.T. K.O. TYP.", "2X 1/2" E.M.T.", AND "3/4" E.M.T.", IN PARTS LIST. "VINYL COATED" WAS "NATURAL". ADDED CAT. NO.'S PT2X2BRS, PT2X2IGBRS, PT2X2SFBR3, AND PT2X2CBRS TO TABLE PER DCN #12944. JMN	DJP	7/13/06
1	RELEASED PER DCN#10781	NB	4-9-03

SYM	REVISIONS	APP	DATE

THE DESIGN AND DIMENSIONS OF THE PRODUCT SHOWN ON THIS DRAWING ARE SUBJECT TO CHANGE WITHOUT NOTICE

TITLE		WIRING DEVICE-KELLEMS HUBBELL INCORPORATED BRIDGEPORT, CT	
CUSTOMER DRAWING		DR. BY PAC	APP. BY
2 X 2 FRPT		TR. BY	SCALE HALF
TOLERANCES UNLESS OTHERWISE SPECIFIED		CHK'D BY	DATE 4-9-03
FRACTIONS	± 1/64		
DECIMALS	± .005		
ANGLES	± 2'		

DIMENSION SHEET FOR CAT. NO. M-9073
 REPAIRABLE NON-REPAIRABLE
 SEE TABLE
 CODE 74545