



# H-MOSS® Occupancy Sensors Specifications and Wiring Schematics

Passive Infrared Wall Switches

## Passive Infrared Wall Switches RMS100, RMS101, RMS100IL, RMS101IL, RMS120, RMS121, RMS120IL, and RMS121IL

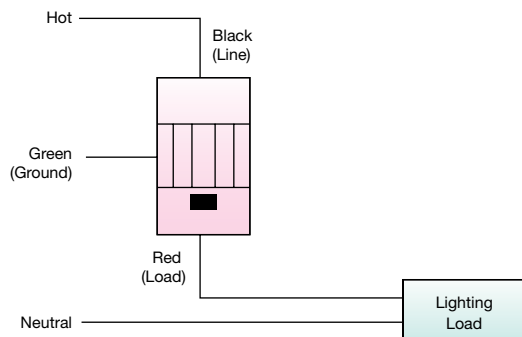
Electrical	
Power Supply	120V AC, 60Hz.
Load Capacity	
Incandescent	25 to 500 watts.
Agency Approvals	UL Listed, cULus Listed.
Physical	
Housing	High-impact ABS.
Lens	Polyethylene.
Dimensions	Face 2.6"H x 1.3"W, 0.40"D (from wall out).
Mounting Height	42 to 54 inches above floor.
Environmental	
Operating	32°F to 122°F (0°C to 50°C) with rate of change not exceeding 20°F (11°C) per hour; 20% to 90% non condensing relative humidity.
Storage	-23°F to 150°F (-10°C to 65°C); 20% to 90% non condensing relative humidity.
Controls	
Time Delay	30 seconds to 30 minutes.
Front Press Switch	Auto/Off.
Manual Override	
50% Dim Down	Lights dim to 50% 30 seconds prior to switching off.
Sensing Indicator	
Passive Infrared	Red LED.

## Passive Infrared Wall Switch for Dual Level Lighting RMS140 and RMS141

Electrical	
Power Supply	120/277V AC, 50/60Hz, ½ HP.
Load Capacity	
Incandescent	800 watts.
120V Ballast	0 to 1000 watts each fluorescent circuit.
277V Ballast	0 to 1800 watts each fluorescent circuit.
Agency Approvals	UL Listed, cULus Certified.
Physical	
Housing	High-impact ABS.
Lens	Polyethylene.
Dimensions	Face 2.6"H x 1.3"W, 0.36" (from wall out).
Mounting Height	42 to 54 inches above floor.
Environmental	
Operating	32°F to 122°F (0°C to 50°C) with rate of change not exceeding 20°F (11°C) per hour; 0% to 95% non condensing relative humidity.
Storage	-23°F to 150°F (-10°C to 65°C); 20% to 90% non condensing relative humidity.
Controls	
Time Delay	30 seconds to 30 minutes.
Front Rocker	
Switches (two)	Auto/Off.
Manual Override	
Sensing Indicator	
Passive Infrared	Red LED.

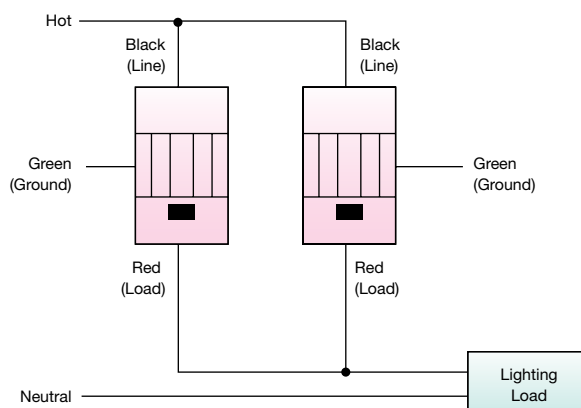
## Wiring Schematic RMS100, RMS101, RMS100IL, RMS101IL, RMS120, RMS121, RMS120IL, RMS121IL, RMS140, and RMS141 Series Wall Switches

### Normal Wiring



## Wiring Schematic RMS140 and RMS141 Series Wall Switches

### Sensors Wired as 3-Way Sensors\*



Note: \* Load can not exceed the rating of one switch.