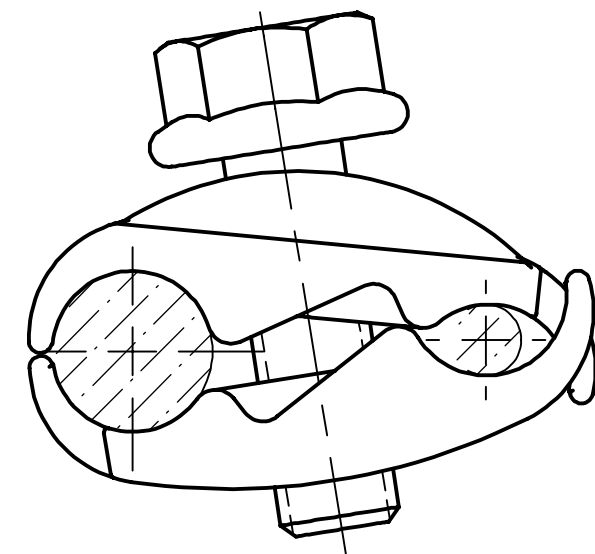
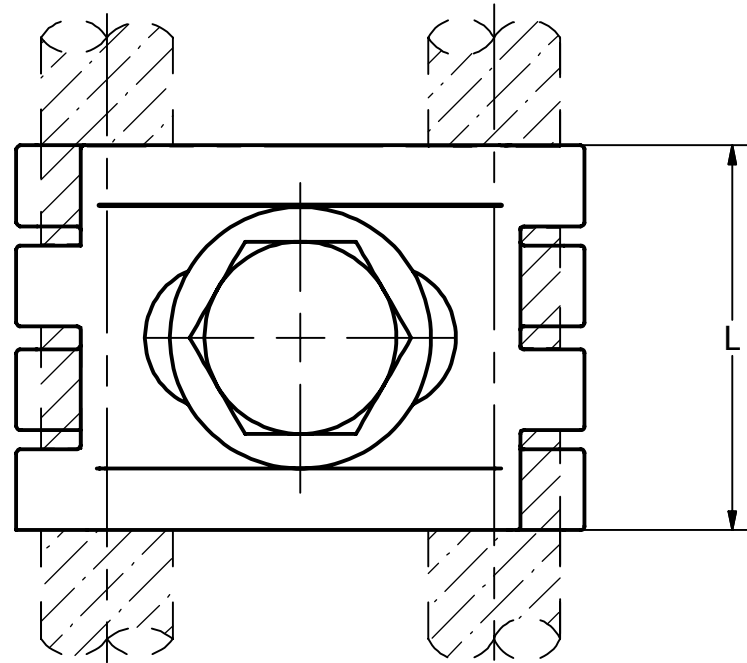
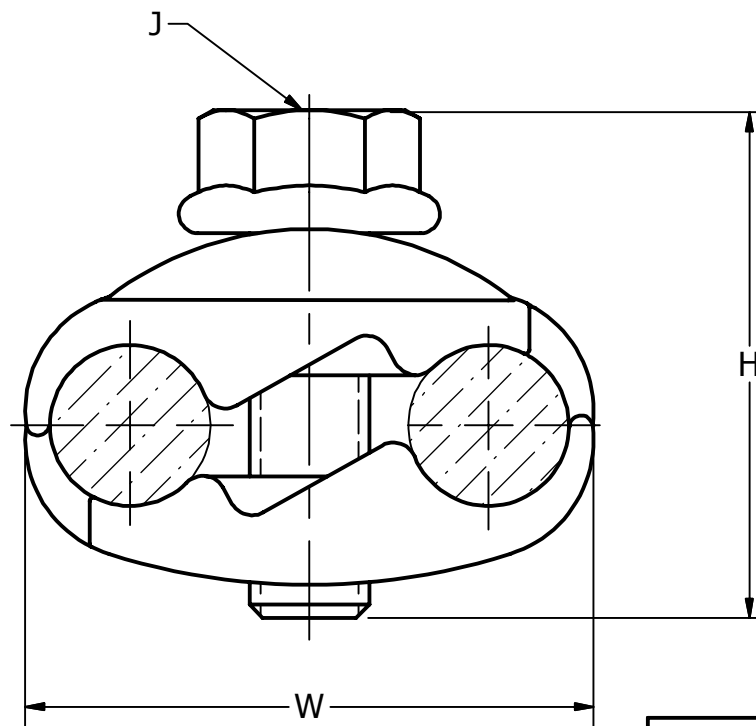


CATALOG NO.	ITEM NO	FINISH	H	W	L	J	REV	DATE	DESCRIPTION	ECO	BY	C'H'K
UC8W26L <sup>1</sup>	127425	ELECTRO-TIN PLATED	1.45 [36.8]	1.48 [37.6]	1.00 [25.4]	.312 X 1.25 [8] X [31.8]	A	08/08/2013	NEW DRAWING CREATED FOR CAT.# UC--L	32667	MVP	MB
UC2W28L	127420	ELECTRO-TIN PLATED	1.50 [38]	1.75 [44.5]	1.12 [28]	.375 X 1.25 [10] X [31.8]						

CATALOG NO.	CONDUCTORS ACCOMMODATED EITHER GROOVE
UC2W28L	COPPER- 4/0 (.528) TO #2 SOL (.258) COPPERWELD - 1/2 7 NO 6 (.486) TO 3 NO 8 (.277) ACSR 4/0 (.563) TO #3 (.281) ACSR - ARMOR ROD - #3 6-1 (.521) TO #6 6-1 (.434) STEEL GUY WIRE - 9/16 (.562) TO 9/32 (.281) AMERDUCTOR - TYPE SCP & SCG - #2(.392) TO #4(.310) STEEL CONDUCTOR FOR RURAL SERVICE -#4-3 WIRE (.297)
UC8W26L	COPPER - 2/0 (.418) TO #8 SOL (.129) <sup>1</sup> COPPERWELD - 7/16 7 NO. 7 (.433) TO #8 SOL (.129) ACSR - 1/0 (.398) TO #6 (.198) ACSR - ARMOR ROD - #6 6-1 (.434) STEEL GUY WIRE - 7/16 (.438) TO 5/32 (.156) AMERDUCTOR - TYPE SCP & SCG - #2(.393) TO #12(.174) STEEL CONDUCTOR FOR RURAL SERVICE -#4-3 WIRE (.297) TO #8 SOLID (.165)



VIEW SHOWS MAX. AND MIN. CABLE IN PLACE



**NOTES:**

1. THE UC8W26L IS UL LISTED FOR USE WITH COPPER CONDUCTOR.

2. MATERIAL: CAST COPPER ALLOY.

3. UL INSTALLATION TORQUES :

COPPER CONDUCTOR SIZE	TIGHTENING TORQUE (IN/LBS)
#8 AWG	75
#6-#4 AWG	110
#3-2/0 AWG	150

4. DIMENSIONS IN BRACKETS [ ] ARE IN MILLIMETERS ROUNDED OFF TO THE NEAREST MILLIMETER, UNLESS OTHERWISE SPECIFIED AND ARE FOR REFERENCE ONLY.

TO ORDER BURNDY® PRODUCTS CALL		UNIVERSAL JUMPER CLAMPS	
UNITED STATES 1-800-346-4175 (LONDONDERRY, NH)		ITEM NO: SEE TABLE	
CANADA: 1-800-361-6975 (QUEBEC) 1-800-387-6487 (ALL OTHER PROVINCES)		CAT. NO: UC-L (TABLE)	
FOR PRODUCT INFO: <a href="http://www.burndy.com">http://www.burndy.com</a>		DRAWN BY: MANIMEKALA 08/08/2013	
		CHECKER: --	
		DSN APRV: W.ZAHLMAN 09/06/2013	
		MFG APRV: --	
		QA APRV: C. ACKERMAN 08/22/2013	
		MKT APRV: J. HALL 08/08/2013	
		PROD FAM: --	
		DRAWING NO	
		PROJECT #: --	
		SIZE	
		DOCUMENT TYPE: SALES	
		REL LEVEL: Released	
		SC017162-01	
		SHEET 1 OF 1	
		A	