
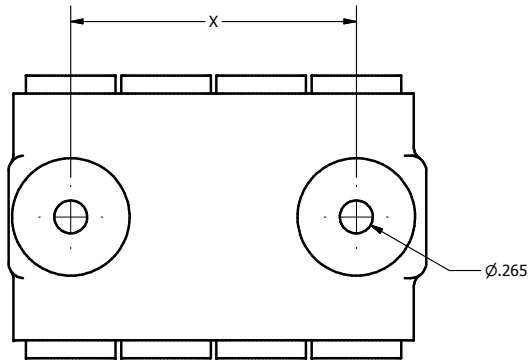
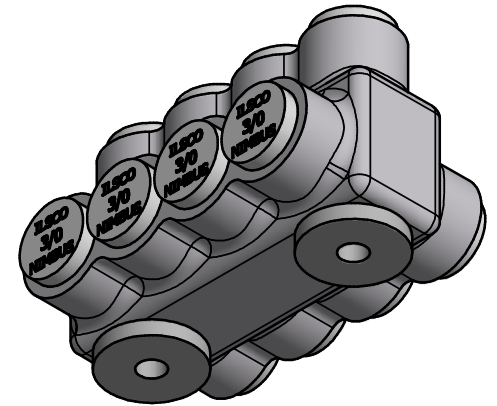
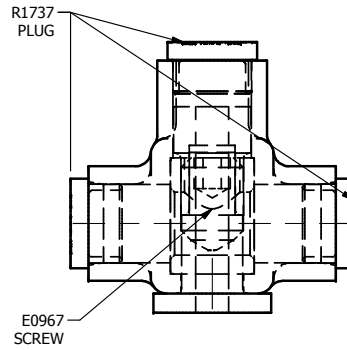
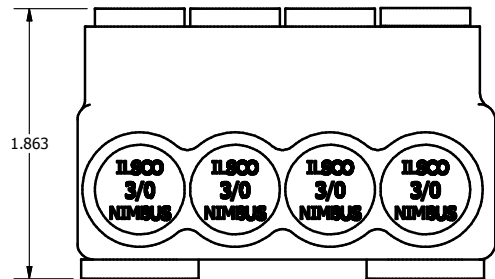
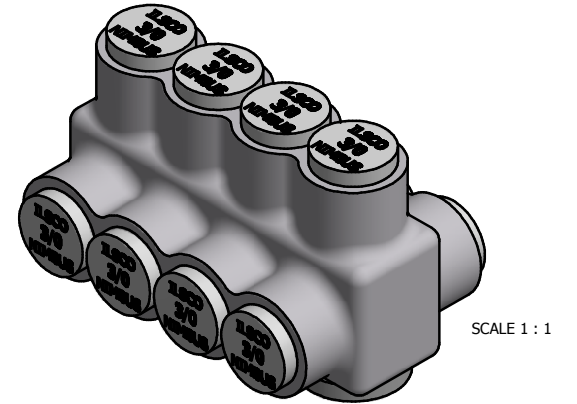
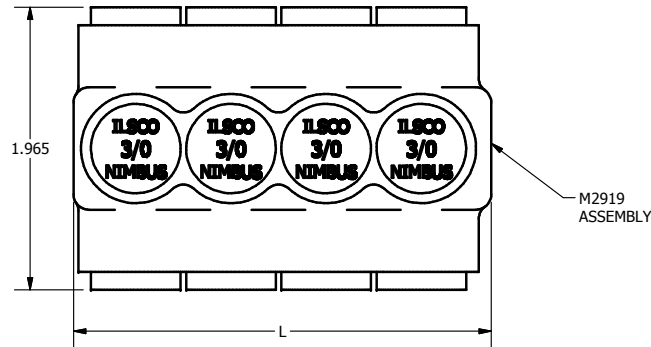


SCREW: E0967	MATERIAL: NONE	REV: H	 800-776-9775 www.ilSCO.com		
CAT. NO.: SEE CHART	PLATING: NONE	DRAWN BY: CLH			SCALE:
INFORMATION SHEET: FORM 1	MARKING: NONE	DATE: 1/18/2008			SIZE: B
			DWG NO:	M2919	
			SHEET:	1 OF 1	



CATALOG #	"L"	"X"	# OF SCREW PORTS
PBTD-2-3/0M	3.346	0.765	2
PBTD-3-3/0M	4.124	1.530	3
PBTD-4-3/0M	4.902	2.295	4
PBTD-5-3/0M	5.680	3.060	5
PBTD-6-3/0M	6.458	3.825	6
PBTD-7-3/0M	7.236	4.590	7
PBTD-8-3/0M	8.014	5.355	8
PBTD-9-3/0M	8.792	6.120	9
PBTD-10-3/0M	9.570	6.885	10
PBTD-11-3/0M	10.348	7.650	11
PBTD-12-3/0M	11.126	8.415	12