
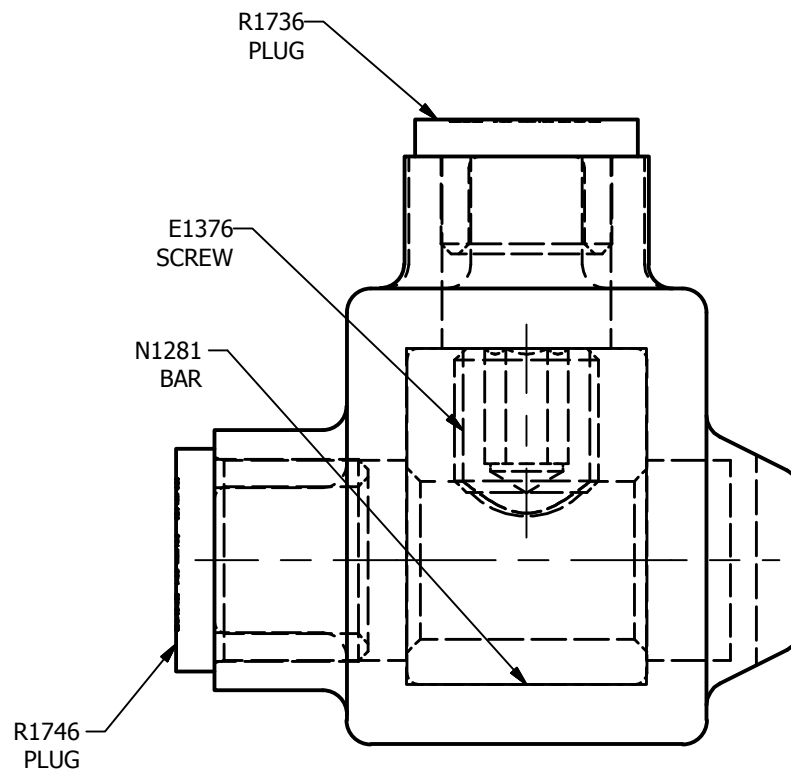
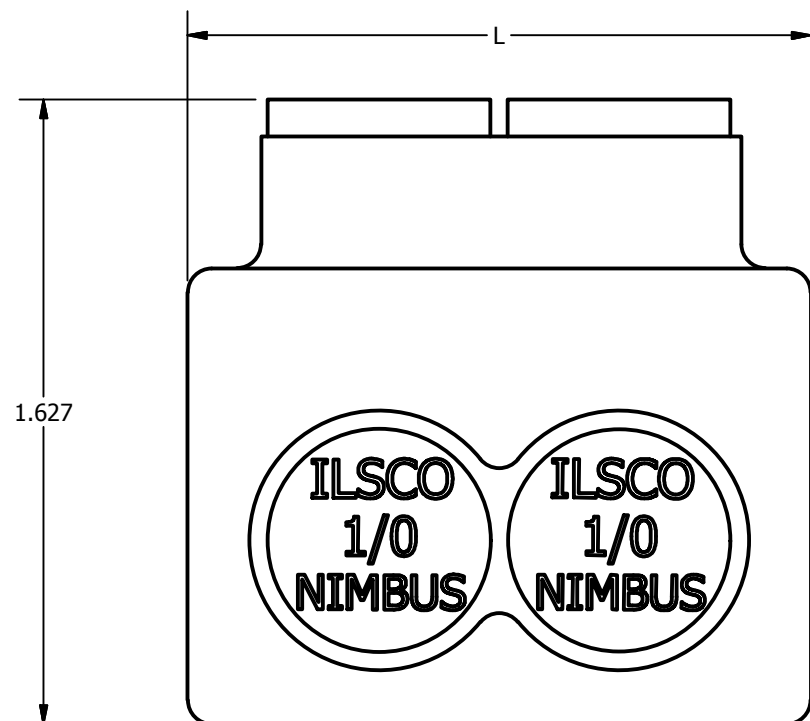
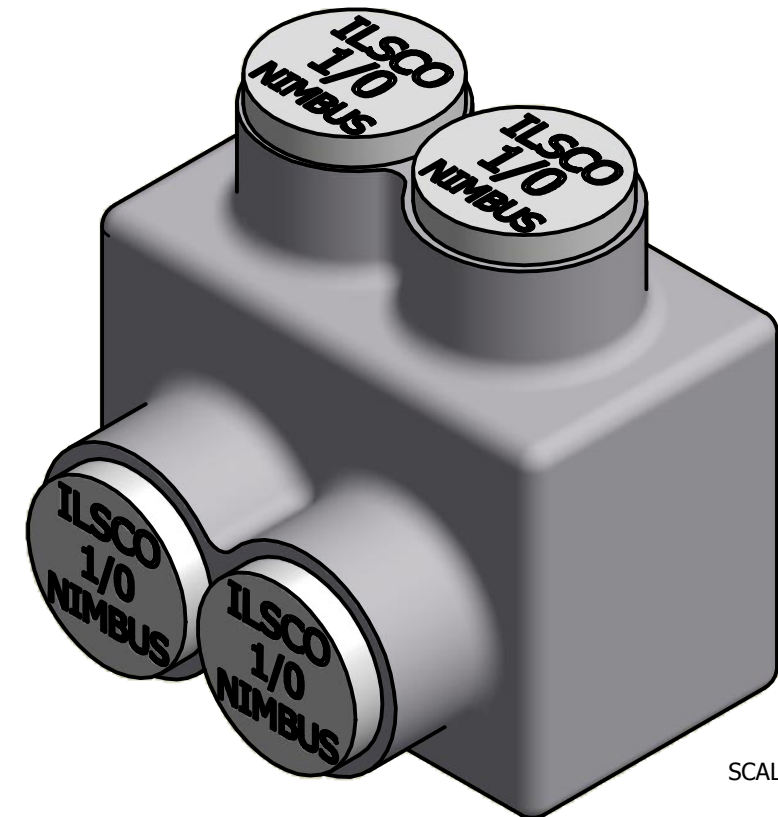
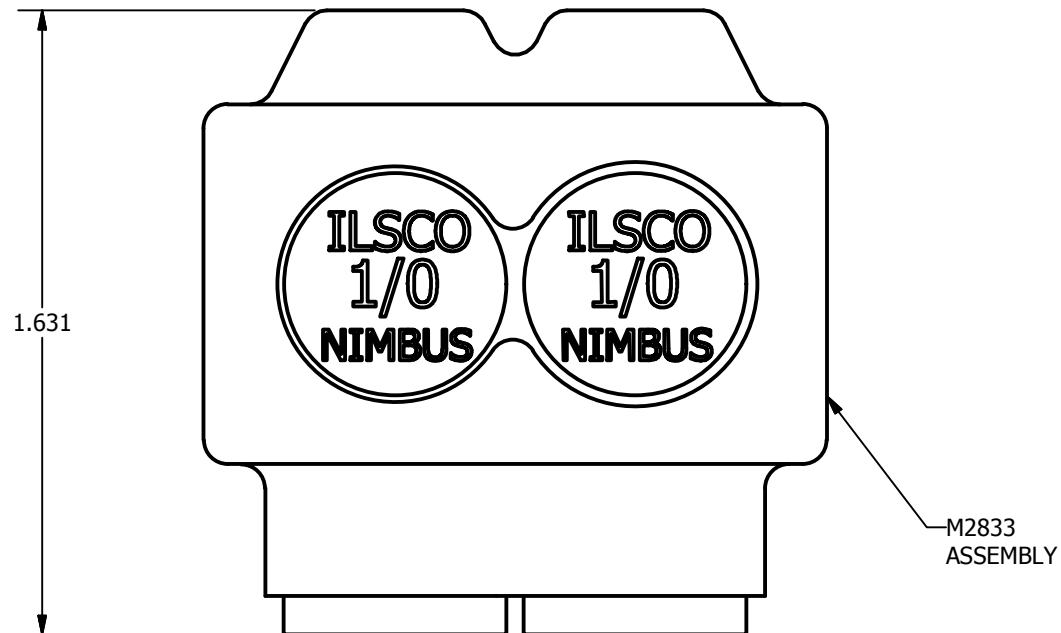


| | | | |
|-----------------------------|----------------|-------------------------|--|
| SCREW: E1736 | MATERIAL: NONE | REV: L |  800-776-9775 www.ilSCO.com |
| CAT. NO.: SEE CHART | PLATING: NONE | DRAWN BY: CLH SCALE: | |
| INFORMATION SHEET: FORM 106 | MARKING: NONE | DATE: 1/24/2008 SIZE: B | |
| | | | DWG NO: M2833 |
| | | | SHEET: 1 OF 1 |



| CATALOG # | "L" | # OF SCREW PORTS |
|-------------|-------|------------------|
| PBTS-2-1/0 | 1.623 | 2 |
| PBTS-3-1/0 | 2.248 | 3 |
| PBTS-4-1/0 | 2.873 | 4 |
| PBTS-5-1/0 | 3.498 | 5 |
| PBTS-6-1/0 | 4.123 | 6 |
| PBTS-7-1/0 | 4.748 | 7 |
| PBTS-8-1/0 | 5.373 | 8 |
| PBTS-9-1/0 | 5.998 | 9 |
| PBTS-10-1/0 | 6.623 | 10 |
| PBTS-11-1/0 | 7.248 | 11 |
| PBTS-12-1/0 | 7.873 | 12 |
| PBTS-13-1/0 | 8.498 | 13 |
| PBTS-14-1/0 | 9.123 | 14 |