
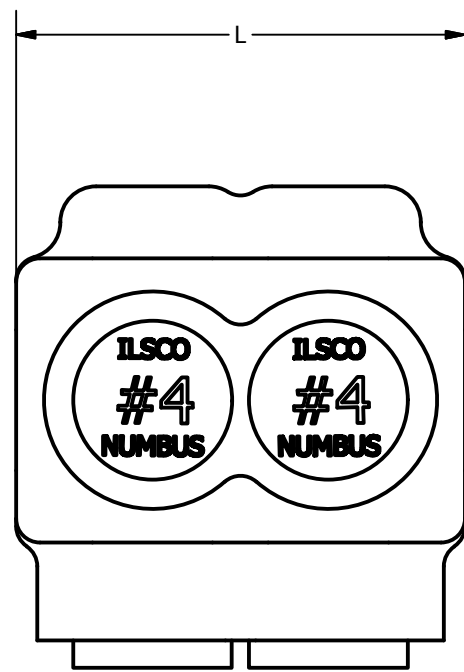
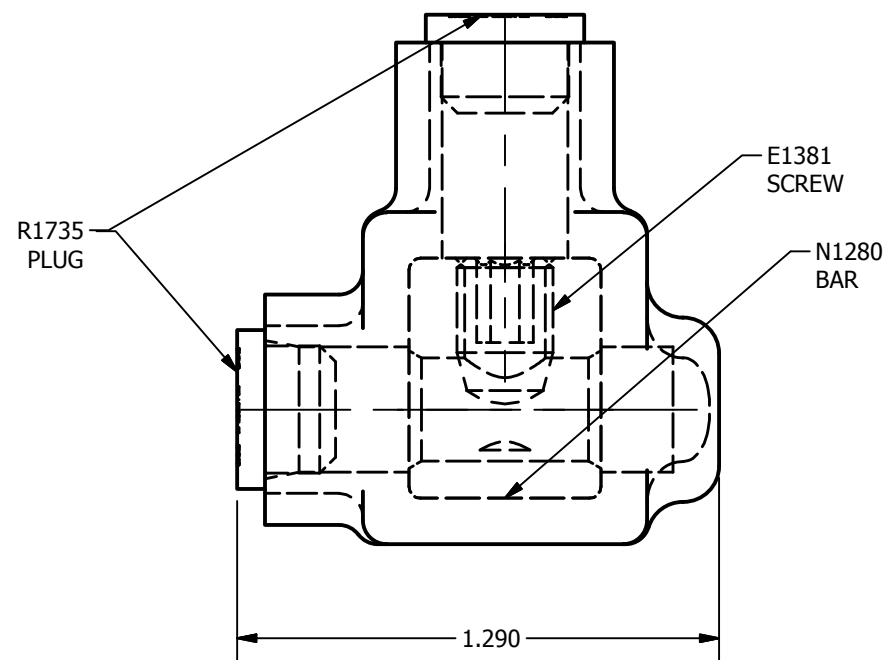
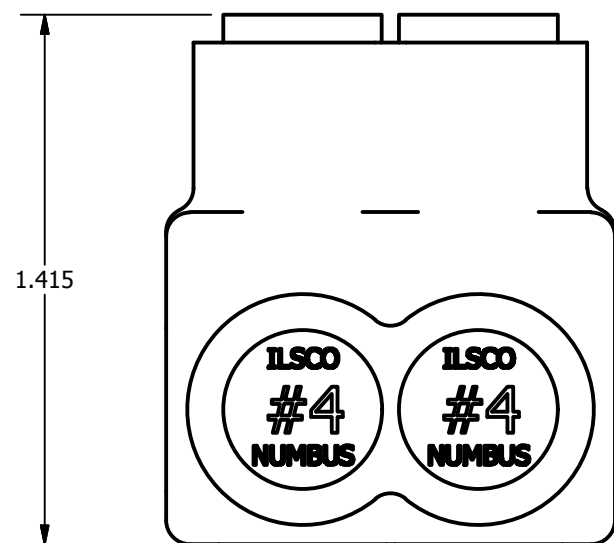
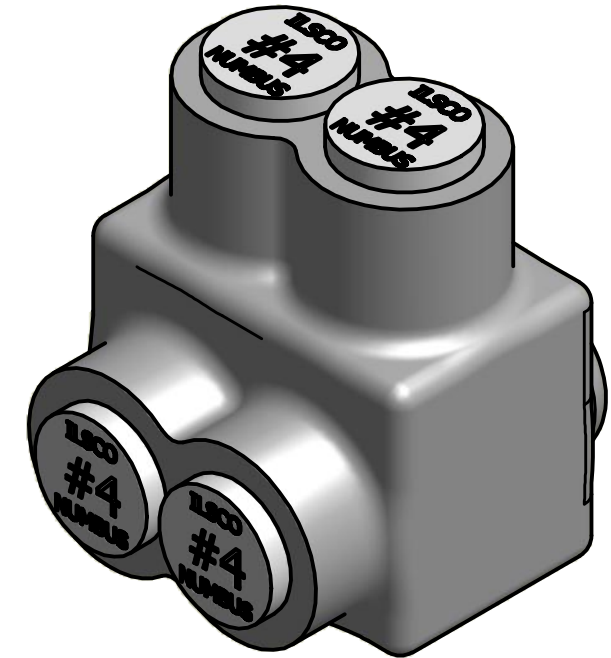


SCREW: E1381	MATERIAL: NONE	REV: J	 800-776-9775 www.ilSCO.com
CAT. NO.: SEE CHART	PLATING: NONE	DRAWN BY: CLH SCALE:	
INFORMATION SHEET: FORM 12	MARKING: NONE	DATE: 1/22/2008 SIZE: B	
			DWG NO: <b>M2843</b>
			SHEET: 1 OF 1



M2843 ASSEMBLY



ILSCO CATALOG #	L	# OR SCREW PORTS
PBTS-2-4	1.186	2
PBTS-3-4	1.626	3
PBTS-4-4	2.084	4
PBTS-5-4	2.542	5
PBTS-6-4	3.000	6
PBTS-7-4	3.458	7
PBTS-8-4	4.007	8
PBTS-9-4	4.374	9
PBTS-10-4	4.832	10
PBTS-11-4	5.290	11
PBTS-12-4	5.748	12
PBTS-13-4	6.206	13
PBTS*14-4	6.664	14