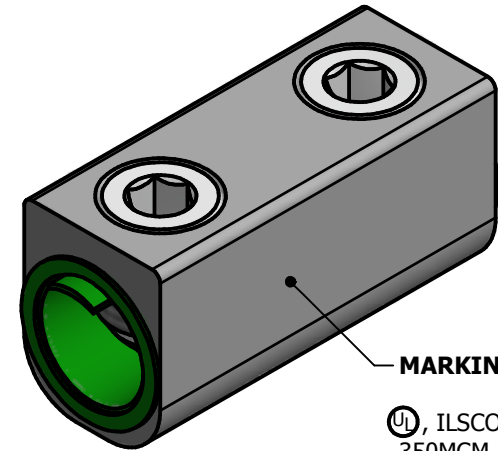
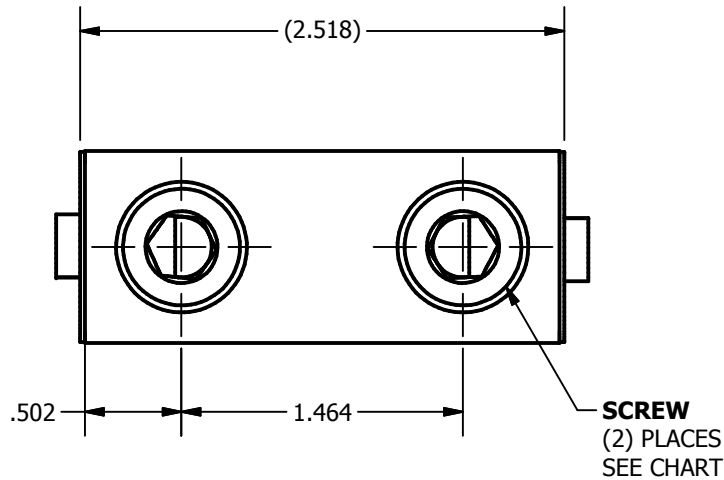


SCREW: SEE CHART
 CAT. NO.: SEE CHART
 INFORMATION SHEET: FORM 159
 FORM 96

MATERIAL: ALUMINUM
 PLATING: SEE CHART
 MARKING: SEE BELOW

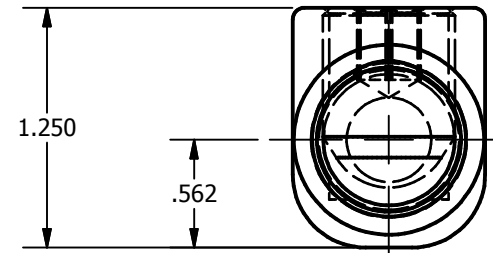
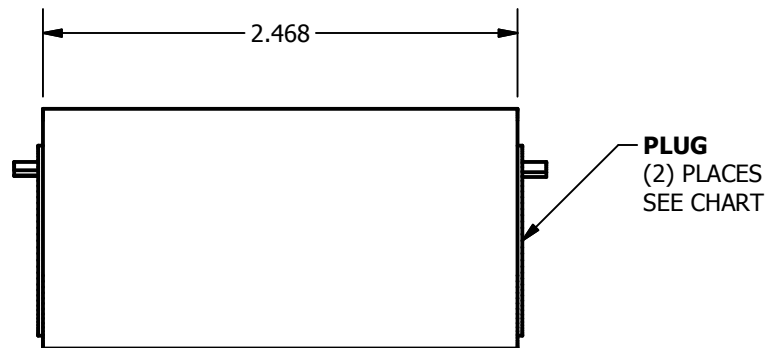
REV: Z
 DRAWN BY: CLH
 DATE: 1/3/2008
 SCALE: 1:1
 SIZE: A

ILSCO
connections matter
 800-776-9775 www.ilsco.com
 DWG. NO. **D6473**
 SHEET: 1 OF 1



MARKING
 Ⓢ, ILSCO, D6573, Ⓢ
 350MCM-10, STR
 SPA-350 AL9CU

UTILCO, UD-6452
 350-10, AL-CU



CAT. NO.	PLATING	SCREW	PLUG
SPA-350	EL-TIN	E6141	NONE
SPA-350P	EL-TIN	E6141	NONE
SPA-350-U	EL-TIN	E6141	R0196
UD6452	WAX	E6141	NONE
ASR3506	EL-TIN	E0953	NONE