



KT-LED100PSHID-EX39-8XX-D /G4

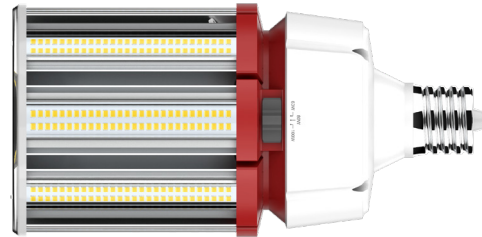
HID REPLACEMENT LED LAMP

DESCRIPTION

100W HID Replacement LED Lamp | Power Select | 80 CRI | IP64



LAMP TYPE: HID Replacement LED
BASE TYPE: EX39 (Mogul)
SELECTABLE WATTAGE: 100W, 80W, 63W
COLOR TEMPERATURE: 3000K, 4000K, 5000K
METAL HALIDE EQUIVALENT: 400W
COLOR RENDERING INDEX (CRI): > 80
WARRANTY: 5 Years



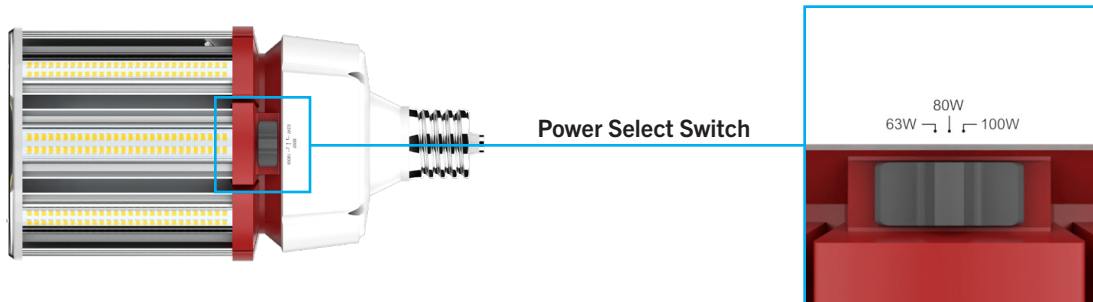
PRODUCT FEATURES

- Replacement for conventional metal halide lamp
- Environmentally friendly: No mercury used
- Instant startup
- Integral driver eliminates the need for external driver or ballast; includes 4kV surge protection
- Step dimmable with Power Select Switch. See below image.
- 50,000 + hour lifetime
- Operating temperature: -30°C/-22°F to 45°C/113°F
- Suitable for use in fully enclosed fixtures
- Minimum lamp compartment dimensions: 9.8" x 9.8" x 11.5"
- UL listed
- IP64 rated; integrated heat sink quickly dissipates heat and guides water intrusion out of the lamp

ELECTRICAL AND PERFORMANCE SPECIFICATIONS

Keystone Catalog Number	Input Voltage	Selectable Power	CCT	Lumens	Efficacy	Base Type	CRI	PF
KT-LED100PSHID-EX39-830-D /G4	120-277V	100W	3000K	13500	135 lm/W	EX39	>80	≥90
		80W		10800	135 lm/W			
		63W		8505	135 lm/W			
KT-LED100PSHID-EX39-840-D /G4	120-277V	100W	4000K	14000	140 lm/W	EX39	>80	≥90
		80W		11200	140 lm/W			
		63W		8820	140 lm/W			
KT-LED100PSHID-EX39-850-D /G4	120-277V	100W	5000K	14500	145 lm/W	EX39	>80	≥90
		80W		11600	145 lm/W			
		63W		9135	145 lm/W			

SELECTABILITY

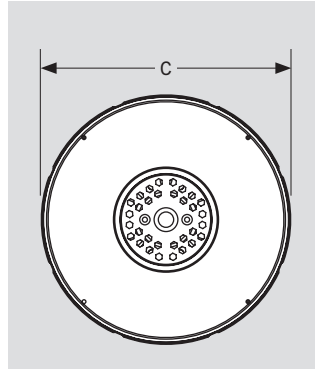
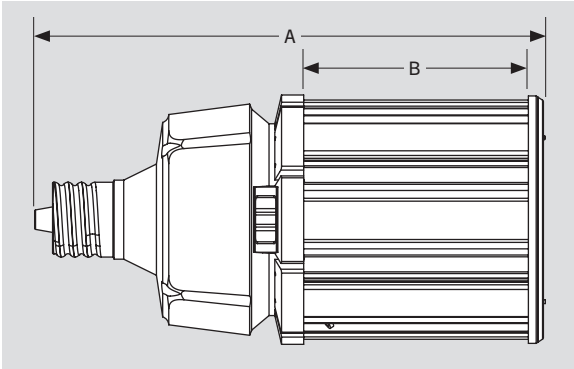




KT-LED100PSHID-EX39-8XX-D /G4

HID REPLACEMENT LED LAMP

PHYSICAL CHARACTERISTICS



LAMP DIMENSIONS

A (Body Length)	10.47"
B (Illuminated Length)	4.61"
C (Diameter)	5.12"

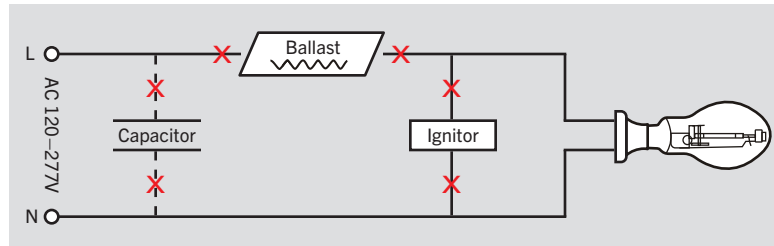
BASE TYPE: EX39 (Mogul)

WIRING INSTRUCTIONS

STEP 1

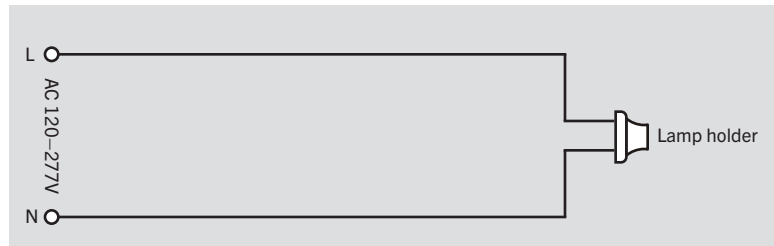
Disconnect power. Disconnect and remove existing ballast, capacitor, and/or ignitor (where applicable) from fixture.

Note: Follow all federal and local regulations when disposing of lamps and removed components.



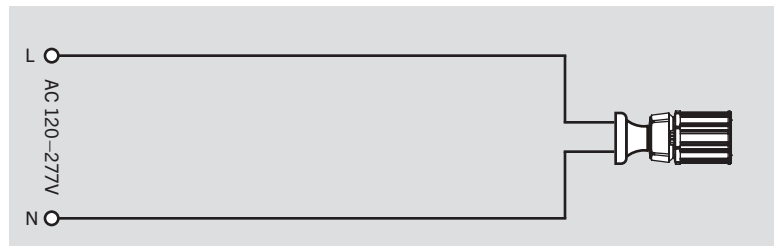
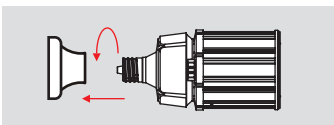
STEP 2

Rewire for line voltage to the lamp socket.

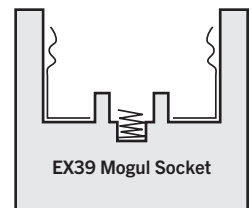
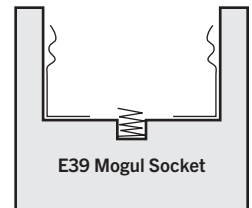


STEP 3

Install new LED replacement lamp. Ensure lamp is operating properly when power is turned on.



EX39-based lamps will work in *both* **E39** and **EX39** sockets.





KT-LED100PSHID-EX39-8XX-D /G4

HID REPLACEMENT LED LAMP

ORDERING INFORMATION

ORDER CODE	PACK QTY.	UPC	EASY CODE
KT-LED100PSHID-EX39-830-D /G4	6	843654138428	KIC-60
KT-LED100PSHID-EX39-840-D /G4	6	843654138435	VCW-92
KT-LED100PSHID-EX39-850-D /G4	6	843654138442	AZJ-09

CATALOG NUMBER BREAKDOWN

KT-LED100PSHID-EX39-8XX-D /G4

1 2 3 4 5 6 7 8 9 10

- 1 Keystone Technologies
- 2 LED Lamp
- 3 Wattage
- 4 Power Select
- 5 Lamp Type
- 6 Base Type
- 7 80 CRI
- 8 Color Temperature
- 9 Direct Drive
- 10 Fourth Generation