



ESSENTIAL SERIES

GENERAL PURPOSE LED BULBS

KT-LED15BR40-8XX /G2

REPLACEMENT LAMP

DESCRIPTION

15.5W BR40 Lamp | 2700–5000K | >80 CRI | Standard Flood



LAMP TYPE: BR40
BASE TYPE: E26 (Medium)
WATTAGE: 15.5W
COLOR TEMPERATURE: 2700–5000K
COLOR RENDERING INDEX (CRI): >80
WARRANTY: 3 Years
RATED LIFE: 25,000 Hours



TYPICAL APPLICATIONS

- Recessed downlights
- Track lighting
- Surface-mount ceiling fixtures

PRODUCT FEATURES

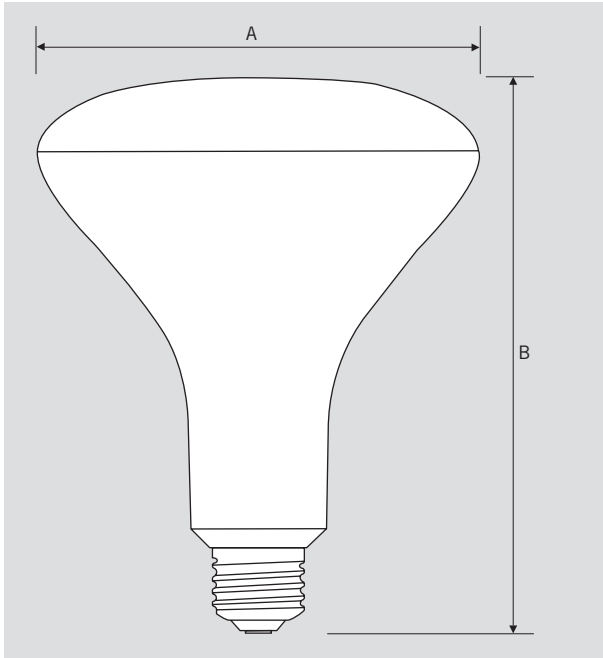
- Energy efficient, 80%+ energy savings over legacy equivalents
- Lower heat generation than legacy equivalents
- Smooth, uniform dimming
- Smooth, diffused lens for comfortable glare-free performance
- Durable plastic housing lowers the risk for breakage
- Long life minimizes replacement and maintenance costs
- Suitable for use in damp and wet locations
- Operating temperature range –4°F/–20°C to 104°F/40°C
- PF >0.90
- ANSI compliant construction ensures fitment for intended applications
- UL Listed
- Meets Energy Star requirements
- Complies with Part 15 of FCC

ELECTRICAL AND PERFORMANCE SPECIFICATIONS

Keystone Catalog Number	Description	Color Temp	Input Voltage	Rated Lamp Wattage	Legacy Equivalent Wattage	Base Type	Lumens	CRI	Beam Angle	Dimmable	Efficacy
KT-LED15BR40-827 /G2	BR40 bulb; Standard flood; Dimmable	2700K	120V	15.5W	100W halogen	E26	1400 lm	>80	120°	Yes	90 lm/W
KT-LED15BR40-830 /G2	BR40 bulb; Standard flood; Dimmable	3000K	120V	15.5W	100W halogen	E26	1400 lm	>80	120°	Yes	90 lm/W
KT-LED15BR40-840 /G2	BR40 bulb; Standard flood; Dimmable	4000K	120V	15.5W	100W halogen	E26	1470 lm	>80	120°	Yes	95 lm/W
KT-LED15BR40-850 /G2	BR40 bulb; Standard flood; Dimmable	5000K	120V	15.5W	100W halogen	E26	1470 lm	>80	120°	Yes	95 lm/W

KT-LED15BR40-8XX /G2 REPLACEMENT LAMP

PHYSICAL CHARACTERISTICS



LAMP DIMENSIONS

A (Diameter)	5.0"
B (Length)	6.29"

BASE TYPE: E26 (Medium)

PACKAGING

Carton Quantity	24 pcs
Carton Dimensions	15.16" × 15.16" × 19.88"
Carton Weight	17.79 lbs

ORDERING INFORMATION

ORDER CODE	CARTON QUANTITY	ENERGY STAR UNIQUE ID	EASY CODE	UPC
KT-LED15BR40-827 /G2	24 pcs	2386977	FIL-01	843654134574
KT-LED15BR40-830 /G2	24 pcs	2386976	OVR-11	843654134581
KT-LED15BR40-840 /G2	24 pcs	2386978	RDR-30	843654134598
KT-LED15BR40-850 /G2	24 pcs	2386975	KKK-04	843654134604

CATALOG NUMBER BREAKDOWN

KT-LED15BR40-8XX /G2

1 2 3 4 5 6 7

- 1 Keystone Technologies
- 2 LED Lamp
- 3 Wattage
- 4 Lamp Shape
- 5 800 Series
- 6 Color Temperature
- 7 Generation 2