



KTEB-432-UV-IS-H-P

T8 ELECTRONIC FLUORESCENT

Version A3



4 x F32T8 | 120-277V Input | High Power Factor | Instant Start

STARTING METHOD: Instant Start
LAMP CONNECTION: Parallel
INPUT VOLTAGE: 120-277VAC \pm 10%
INPUT FREQUENCY: 50/60 Hz
POWER FACTOR: High
WARRANTY: 5 Years

PRODUCT FEATURES

- 2014 DOE Compliant
- Sound Rated: A
- Maximum Case Temperature: 167°F, 75°C
- Meets FCC Part 18 (Class A) Non-Consumer Limits
- Meets ANSI Standard C82.11-2002 and C62.41-2002
- UL, cUL Listed, Class P, Type 1 Outdoor
- OCV: 600V
- Anti-Striation Circuitry
- Type HL

ELECTRICAL SPECIFICATIONS

LAMP TYPE	NO. OF LAMPS	INPUT VOLTS	INPUT WATTS	INPUT CURRENT (AMPS)	POWER FACTOR	CREST FACTOR	BALLAST FACTOR	BALLAST EFFICACY FACTOR	MAX THD (%)	MIN. START TEMP (°F/°C)	WIRING DIAGRAM
F32T8 (32W)	4	120	145	1.24	\geq 0.98	\leq 1.70	1.16	0.80	10	0/-18	F4-1
		277	144	0.53	\geq 0.98	\leq 1.70	1.16	0.81	10	0/-18	F4-1
	3	120	120	1.01	\geq 0.98	\leq 1.70	1.24	1.03	10	0/-18	F3-3
		277	120	0.44	\geq 0.98	\leq 1.70	1.24	1.03	10	0/-18	F3-3
F32T8 (30W)	4	120	120	1.01	\geq 0.98	\leq 1.70	1.16	0.97	10	0/-18	F4-1
		277	120	0.47	\geq 0.98	\leq 1.70	1.16	0.97	10	0/-18	F4-1
	3	120	105	0.88	\geq 0.98	\leq 1.70	1.24	1.18	10	0/-18	F3-3
		277	101	0.37	\geq 0.98	\leq 1.70	1.24	1.23	10	0/-18	F3-3
F32T8 (28W)	4	120	116	0.98	\geq 0.98	\leq 1.70	1.16	1.00	10	0/-18	F4-1
		277	115	0.44	\geq 0.98	\leq 1.70	1.16	1.01	10	0/-18	F4-1
	3	120	95	0.80	\geq 0.98	\leq 1.70	1.24	1.31	10	0/-18	F3-3
		277	98	0.36	\geq 0.98	\leq 1.70	1.24	1.27	10	0/-18	F3-3
F32T8 (25W)	4	120	110	0.96	\geq 0.98	\leq 1.70	1.16	1.07	10	0/-18	F4-1
		277	109	0.42	\geq 0.98	\leq 1.70	1.16	1.06	10	0/-18	F4-1
	3	120	92	0.77	\geq 0.98	\leq 1.70	1.24	1.35	10	0/-18	F3-3
		277	93	0.35	\geq 0.98	\leq 1.70	1.24	1.33	10	0/-18	F3-3
F25T8	4	120	109	0.92	\geq 0.98	\leq 1.70	1.17	1.07	10	0/-18	F4-1
		277	109	0.40	\geq 0.98	\leq 1.70	1.17	1.07	10	0/-18	F4-1
	3	120	89	0.75	\geq 0.98	\leq 1.70	1.26	1.42	10	0/-18	F3-3
		277	87	0.34	\geq 0.97	\leq 1.70	1.26	1.45	10	0/-18	F3-3
F17T8	4	120	75	0.63	\geq 0.98	\leq 1.70	1.18	1.57	10	0/-18	F4-1
		277	79	0.29	\geq 0.97	\leq 1.70	1.18	1.49	10	0/-18	F4-1
	3	120	62	0.52	\geq 0.98	\leq 1.70	1.27	2.05	10	0/-18	F3-3
		277	66	0.26	\geq 0.95	\leq 1.70	1.27	1.92	10	0/-18	F3-3
F40T8	3	120	143	1.22	\geq 0.98	\leq 1.70	1.25	0.87	10	0/-18	F3-3
		277	139	0.51	\geq 0.98	\leq 1.70	1.25	0.90	10	0/-18	F3-3

* Will also operate equivalent U-bend lamps.

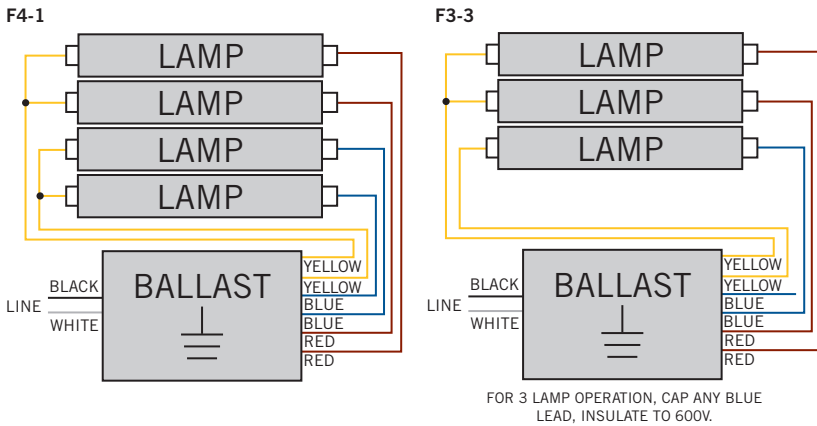


KTEB-432-UV-IS-H-P

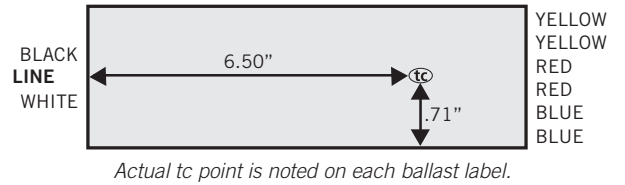
T8 ELECTRONIC FLUORESCENT

Version A3

WIRING DIAGRAM

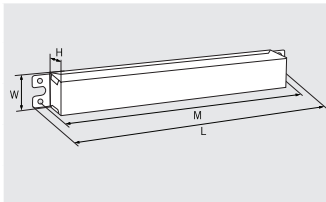


HOT SPOT LOCATION



PHYSICAL SPECIFICATIONS

CASE DIMENSIONS



LENGTH	9.50"
WIDTH	1.70"
HEIGHT	1.18"
MOUNTING	8.90"
CASE STYLE	L5

STANDARD LEAD LENGTHS*

WHITE	25"
BLACK	25"
YELLOW	46"
RED	31"
BLUE	31"

Lead wires are 18 AWG
105°C/600V, solid copper.

CASE MATERIAL: Metal

*Consult Keystone for special lead length requirements.

ORDERING INFORMATION

ORDER CODE	PACKAGING STYLE	PACK QTY.	ITEM STATUS
KTEB-432-UV-IS-H-P-DP	Distributor Pack	10	Quick Ship
KTEB-432-UV-IS-H-P-CP	Carton Pack	20	Active

CATALOG NUMBER BREAKDOWN

KTEB-432-UV-IS-H-P-DP

