

VerifEye™ Series 2000 Three Phase Meter Kits

Submetering Solutions for Accurate Measurement & Verification



- kWh meter and optional demand reset
- 120/208V or 277/480V 3PH 4W WYE only
- 100-1200 Amps
- Pulse output—standard feature
- Large LCD display
- Kit includes submeter and required Current Transformers (CTs)

DESCRIPTION

The Leviton VerifEye™ Series 2000 line of revenue-grade meters meets all measurement and verification-based opportunities including load management and LEED rating achievement. Designed to provide a simple and effective process for accurately capturing measurements of power consumption, Series 2000 meters are easy to specify and install for new construction and retrofits.

Leviton meters utilize highly accurate current transformers for revenue-grade performance certified to ANSI standards. Competing products use current sensors that do not provide the same level of performance. Leviton offers Current Transformers (CTs) in solid and split core styles to accommodate all phases of installation and construction.

Solid core CTs are ideal for new construction, when power is not live and wires can easily be threaded through the core. Split core CTs can be installed at any time without having to disconnect wire terminations, making them the optimal choice for retrofitting an existing structure.

Split core CTs close securely for fast, precise installation with no need for time-consuming tie wraps and no worries about improper seating or core half separation. Both solid and split core CTs offer high quality, long term accuracy and reliability.

Every Series 2000 meter has an installer-friendly feedback feature. The red reverse phase indicator acts as an installation diagnostics tool and illuminates if a meter is improperly installed. After installation, the green duty cycle light shows that the meter is collecting electrical consumption data at the appropriate rate. All 100 and 200 Amp solid core CTs have color-coded labels to easily identify correct line/load orientation.

APPLICATIONS

Use Series 2000 meters in commercial, institutional, industrial and government applications for:

- Load profiling and benchmarking
- AMR integration
- Usage aggregation
- Tenant cost allocation
- Measurement and verification
- Energy conservation and cost reduction
- Green building initiatives and government mandates

PRODUCT DATA

FEATURES

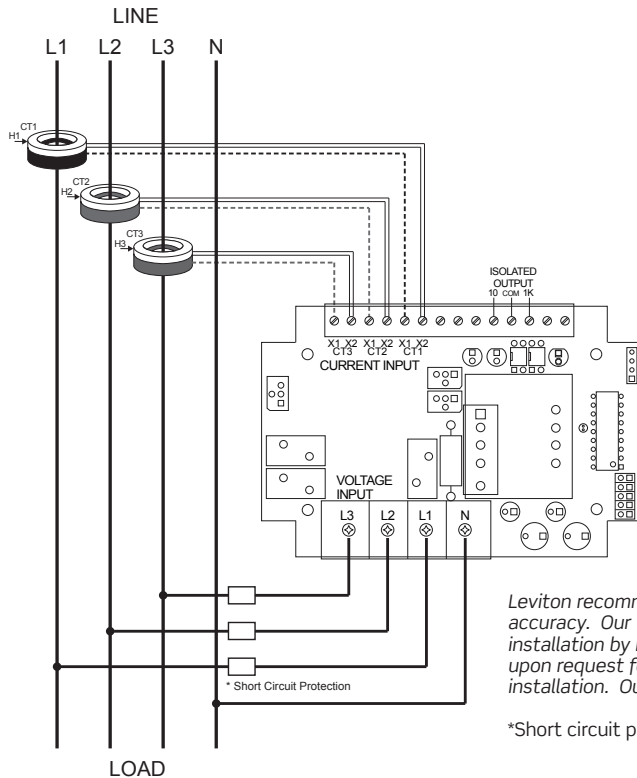
- Measures kWh and demand (optional)
- Conform to all applicable standards of ANSI C12.1
- Equipped standard with an Isolated Pulse Output channel
- Utilizes either revenue grade 0.5% accuracy class 0.1A secondary solid core CTs that conform to all applicable ANSI requirements or 1.0% accuracy split core CTs
- Up to three sets of CTs per phase can be paralleled per meter without the need for a meter multiplier
- Enclosure options include surface mount industrial grade JIC steel indoor and NEMA 4X outdoor
- Interfaces with numerous communication systems
 - Hardwired Automatic Meter Reading (AMR) or wireless AMR
- Large LCD display shows kWh and optional peak and instantaneous kW with Demand Reset
- Load Indicator LED verifies meter functionality
- Reverse Phase Indicator LED illuminates if the meter is improperly installed
- CT lead length maximum: 48"
- UL/cUL Listed Energy Usage Monitor per CCN FTR7
- Five year warranty

CONFIGURATIONS*

| AMPERAGES | PHASE/VOLTAGES |
|-----------|--------------------------|
| 100-1200A | 30/4W - 120/208/240V WYE |
| 100-1200A | 30/4W - 277/480V WYE |

* Contact factory for non-US voltage configurations. Not for use with Delta type electrical service configurations.

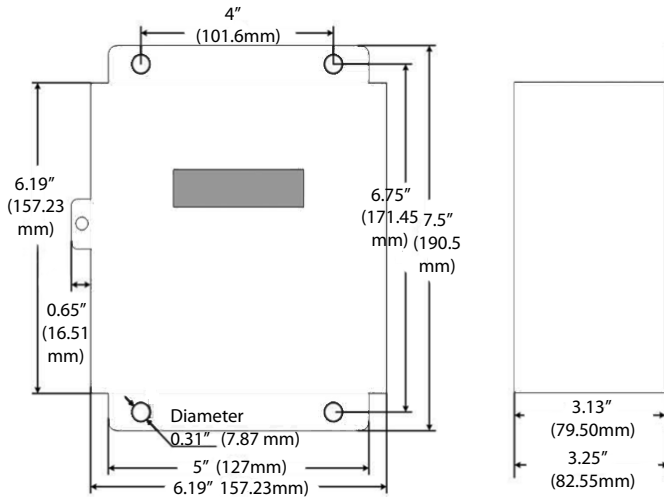
THREE ELEMENT SERIES 2000 HOOKUP DIAGRAM



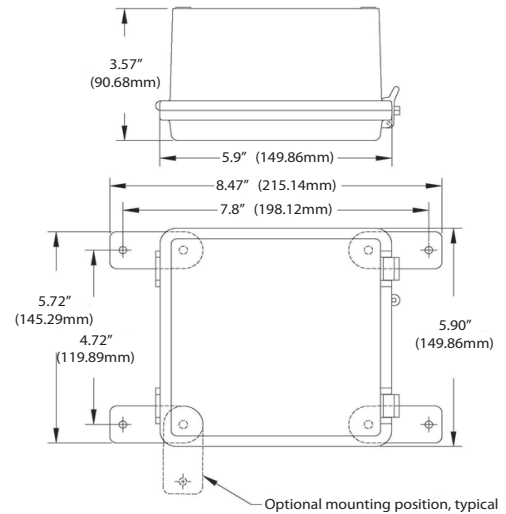
Leviton recommends solid core transformers (CTs) for revenue-grade accuracy. Our 100A and 200A color coded CTs assist with correct installation by indicating phase monitored. Split core CTs are also available upon request for applications where power cannot be interrupted during installation. Our 100-1, 200 Amp Split Core CTs offer +/-1.0% accuracy.

*Short circuit protection per NEC and local codes by other.

**DIMENSIONS
INDOOR ENCLOSURE**



OUTDOOR ENCLOSURE



ORDERING INFORMATION

Series 2000 Three Phase Meter Kits—Indoor Enclosure

NOTE: All kits include meter, specified enclosure and Current Transformers (CTs)

| Voltage | Amps | CTs Included | Leviton P/N |
|------------------------------------|------|--------------|-------------|
| 120/208V 3 PH 4 W WYE kWh Meter | 100 | 3 Split CTs | 2K208-01W |
| | 200 | 3 Split CTs | 2K208-02W |
| | 400 | 3 Split CTs | 2K208-04W |
| | 800 | 3 Split CTs | 2K208-08W |
| | 1200 | 3 Split CTs | 2K208-12W |
| | 100 | 3 SOLID CTs | 2K208-1SW |
| | 200 | 3 SOLID CTs | 2K208-2SW |
| 277/480 3 PH 4 W WYE kWh Meter | 100 | 3 Split CTs | 2K480-01W |
| | 200 | 3 Split CTs | 2K480-02W |
| | 400 | 3 Split CTs | 2K480-04W |
| | 800 | 3 Split CTs | 2K480-08W |
| | 1200 | 3 Split CTs | 2K480-12W |
| | 100 | 3 SOLID CTs | 2K480-1SW |
| | 200 | 3 SOLID CTs | 2K480-2SW |
| 120/208V 3 PH 4 W WYE Demand Meter | 100 | 3 Split CTs | 2K208-01D |
| | 200 | 3 Split CTs | 2K208-02D |
| | 400 | 3 Split CTs | 2K208-04D |
| | 800 | 3 Split CTs | 2K208-08D |
| | 1200 | 3 Split CTs | 2K208-12D |
| 277/480V 3 PH 4 W WYE Demand Meter | 100 | 3 Split CTs | 2K480-01D |
| | 200 | 3 Split CTs | 2K480-02D |
| | 400 | 3 Split CTs | 2K480-04D |
| | 800 | 3 Split CTs | 2K480-08D |
| | 1200 | 3 Split CTs | 2K480-12D |

PRODUCT DATA



ORDERING INFORMATION, CONT'D

Series 2000 Three Phase Meter Kits Outdoor Enclosure

| Voltage | Amps | CTs Included | Leviton P/N |
|---------------------------------|------|--------------|-------------|
| 120/208V 3 PH 4 W WYE kWh Meter | 100 | 3 Split CTs | 20208-01W |
| | 200 | 3 Split CTs | 20208-02W |
| | 400 | 3 Split CTs | 20208-04W |
| | 800 | 3 Split CTs | 20208-08W |
| | 1200 | 3 Split CTs | 20208-12W |
| 277/480V 3 PH 4 W WYE kWh Meter | 100 | 3 Split CTs | 20480-01W |
| | 200 | 3 Split CTs | 20480-02W |
| | 400 | 3 Split CTs | 20480-04W |
| | 800 | 3 Split CTs | 20480-08W |
| | 1200 | 3 Split CTs | 20480-12W |

Series 2000 Three Phase Standalone Meters

NOTE: Current Transformers (CTs) sold separately—see Current Transformers product data sheet for ordering information

| Voltage | Leviton P/N |
|--|-------------|
| INDOOR THREE ELEMENT METER, 3PH 4W | |
| 120/208V | 2N208-xxx |
| 277/480V | 2N480-xxx |
| OUTDOOR THREE ELEMENT METER, 3PH 4W | |
| 120/208V | 2R208-xxx |
| 277/480V | 2R480-xxx |

* When ordering a Series 2000 Standalone Meter, replace xxx with the following to indicate amperage ratings:

- 011: 100:0.1A, Max 100A
- 021: 200:0.1A, Max 200A
- 041: 400:0.1A, Max 400A
- 081: 800:0.1A, Max 800A
- 121: 1200:0.1A, Max 1200A
- Demand Option (for indoor models only): replace the last digit in the suffix with a "D"

The following products are also part of the Leviton line of integrated metering solutions:

| | |
|--------------------------------|---------------------------------------|
| Series 1000 Meters | 0.5% Mini Meters |
| Series 2000 Meters | Mini Meters |
| Series 3500 Meters | Multiple Meter Units (MMUs) |
| Series 4000/4100 Meters | Current Transformers (CTs) |
| Series 8000 Multi-Point Meters | BillSuite |
| EMH+ Integrated Meter & Hub | Energy Management Monitoring Software |
| | Building Manager Online (BMO) 3.0 |

Leviton Manufacturing Co., Inc. Energy Management, Controls and Automation

20497 SW Teton Avenue, Tualatin, OR 97062 tel 800-736-6682 fax 503-404-5594 tech line (6:00AM-4:00PM PT Mon-Fri) 800-959-6004

Leviton Manufacturing Co., Inc. Global Headquarters

201 North Service Road, Melville, NY 11747-3138 tel 800-323-8920 fax 800-832-9538 tech line (8:30AM-7:00PM ET Mon-Fri) 800-824-3005

Visit our Website at: www.leviton.com/verifeye

©2016 Leviton Manufacturing Co., Inc. All rights reserved. Subject to change without notice.

G-8754C/116-aa
REV SEP 2016