

Product Bulletin

SureSlide® Dual Quiet Fan and Light Control – 66DF



Fan Control and Dimming Made Easy



Two Functions in One Easy Device

The Leviton SureSlide Dual Quiet Fan and Light Control is designed to provide smooth, slide-action, full-range fan control and dimming for a variety of load types. The single pole dimmer is designed specifically to control LED lamps and works with incandescent, halogen and CFL loads. It features an adjustment dial so users can modify the minimum light level in order to maximize the dimming range if flickering occurs at lower dimming levels. The fan control has low, medium and high fan speeds and contains special circuitry to reduce fan motor noise at low speed. The stylish look can be complemented with Leviton Decora Plus™ screwless and Decora® standard designer wallplates.

Applications

Ideal for residential applications including bedrooms, living rooms, dining rooms, kitchens, home offices and more.



Features and Benefits

- Integrated linear full-range slide controls for easy, precise operation
- Separate controls for fan speed and light level selection
- Single pole dimmer designed for use with dimmable LED/CFL, Incandescent and Halogen lamps
- Adjustment dial to modify the minimum light level in order to maximize the dimming range if flickering occurs at lower dimming levels
- Special circuitry reduces fan motor noise at low speeds
- Selection of low, medium or high fan speeds
- Slim, compact housing fits easily into a standard wallbox and is suitable for multi-gang installations
- Built-in radio/TV interference filter
- Compatible with Decora wallplates and Decora Plus screwless wallplates (sold separately)

Specifications

Electrical

- Input 120VAC @ 60Hz
- 1.5A Fan, 150W LED/CFL, 300W Incandescent
- RFI noise suppression

Mechanical

- Separate dimmer and fan speed control slide bars
- Slide-to-OFF
- Single Pole

Typical Specifications

- Operating Temperature Range: 0°C to 55°C
- Storage Temperature Range: -10°C to 85°C
- Relative Humidity: 20% to 90% non-condensing

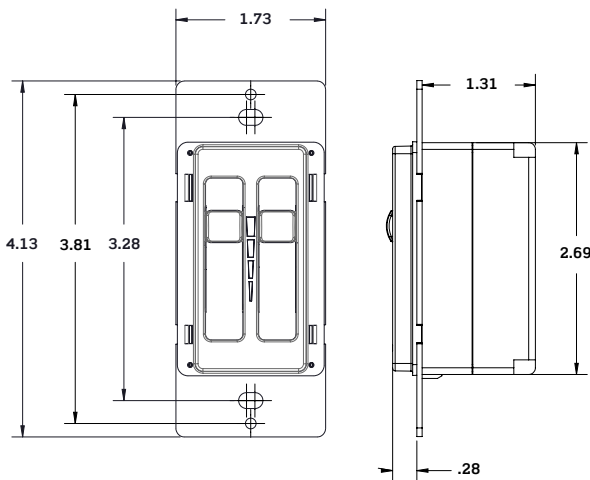
Agency Standards and Compliance

- UL 1472 Solid State Dimming Controls
- CSA 22.2 No. 184.1
- UL 1917 Fan Control

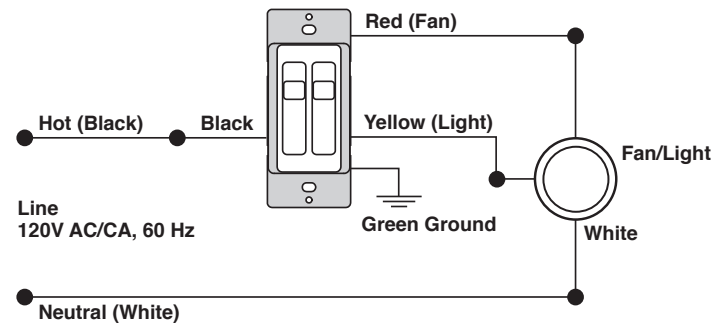
Warranty Information

Five-Year Limited Warranty

Dimensional Drawings



Wiring Diagrams



Ordering Information

Cat. No.	Description	Rating	Color
66DF	Dual Quiet Fan/Light Control, Single Pole, Slide-to-OFF	Dimmer: 150W LED/CFL, 300W Incandescent Fan: 1.5A	W, I, T

The Dual Quiet Fan/Light Control is available in the following colors: White (-W), Ivory (-I) and Light Almond (-T).



Leviton Manufacturing Co., Inc.

201 North Service Road, Melville, NY 11747-3138
 Telephone: 1-800-323-8920 • FAX: 1-800-832-9538
 Tech Line: 1-800-824-3005
 Mon-Fri 8am-10pm EST, Saturday 9am-7pm EST

Visit our Website at: www.leviton.com

© 2019 Leviton Manufacturing Co., Inc. All rights reserved.

