



UPC Code: 07847752575

Country Of Origin: United States

## COVER-S

### Brand Features

Our Wetguard FS/FD Mount covers provide NEMA (4, 4X and 12) and IEC (IP 66) watertight protection for indoor and outdoor environments in critical application areas that are routinely subject to moisture, vapor, dirt, mud, and other contaminant exposure, including high-pressure washdown. We offer a variety of covers, including an industry exclusive toggle switch cover, blank cover plates, and covers to 15A, 20A, and 30A single receptacles. Our industry exclusive toggle switch cover features an actuator that is easily operated with wet and/or gloved hands, and provides OSHA compliant lockout/tagout capabilities.

### Item Description

Wetguard Watertight Toggle Switch Cover, IP66, NEMA 4 & 4X, For use with all 15A-40A Toggle Switches including Manual Motor Starters, Industrial Grade - YELLOW

### Technical Information

Environmental Specifications

**Enclosure Rating:** IEC IP66

**Environment:** Wet

Material Specifications

**Cover/Lid:** Valox PBT

**Torsion Spring Mechanism (Flip**

**Lids):** Stainless Steel

**Gasket:** Santoprene TPV

**Actuator Handle (Switch Cover):** Valox PBT

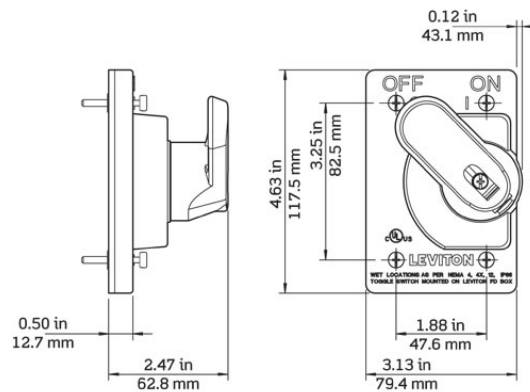
**Actuator Spring (Switch Cover):** Zinc-plated music wire

**Mounting Screws:** Stainless Steel

Product Features

**Accessory Type:** Cover

**Brand:** Wetguard



### SPECIFICATION SUBMITTAL

JOB NAME:	CATALOG NUMBERS:	
<input type="text"/>	<input type="text"/>	<input type="text"/>
JOB NUMBER:	<input type="text"/>	<input type="text"/>

**Leviton Manufacturing Co., Inc.**

201 North Service Road, Melville, NY 11747

Teléfono: +1-800-323-8920 · FAX: +1-800-832-9538 · Tech Line (8:30AM-7:30PM E.S.T. Monday-Friday): +1-800-824-3005

**Leviton Manufacturing of Canada, Ltd.**

165 Hymus Boulevard, Pointe Claire, Quebec H9R 1E9 · Telephone: +1-800-469-7890 ·

FAX: +1-800-824-3005 · [www.leviton.com/canada](http://www.leviton.com/canada)

**Leviton S. de R.L. de C.V.**

Lago Tana 43, Mexico DF, Mexico CP 11290 · Tel.: (+52)55-5082-1040 · FAX: (+52)5386-

1797 · [www.leviton.com.mx](http://www.leviton.com.mx)

**Visit our Website at: [www.leviton.com](http://www.leviton.com)**

© 2018 Leviton Manufacturing Co., Inc. Todos los derechos reservados. Subject to change without notice.

**Leviton has a global presence.**

If you would like to know where your local Leviton office is located please go to:

[www.leviton.com/international/contacts/](http://www.leviton.com/international/contacts/)

