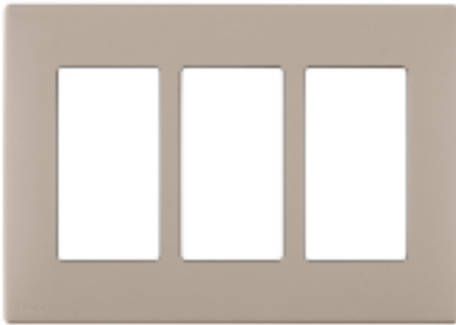


## REWP3-CA



Color:  Café Latte

UPC Code: 07847752909

Country Of Origin: China

### Brand Features

Renu in a snap! Renu is the smart new line of decorative electrical products from Leviton. Install Renu and get a fresh stylish look, plus the ability to change the color of any Renu device when you update a room. The line includes switches, outlets, GFCIs, dimmers, and sleek, screwless wallplates available in 20 designer colors. Renu REWP3 3-gang wallplates, slightly larger than standard ones, cover wall imperfections and snap directly onto the devices for a perfect finishing touch. They are designed for Renu devices only, with the following decora exception. A Renu adaptor ring REA00, sold separately in White on White (decora White), Navajo Sand (decora Light Almond) and Onyx Black (decora Black) only, allows any decora device to fit into a Renu wallplate.

### Item Description

Leviton Renu® 3-Gang Screwless Snap-On Wallplate/Faceplate REWP3-CA, in Café Latte

### Technical Information

#### Product Features

**Product Family:** Renu

**Gang:** 3

**Material:** Engineering Grade Polymer

**Type:** Screwless

**Mount:** Snap-On

**Color:** Café Latte

**Standards and Certifications:** cULus

**Warranty:** 5 Year Limited

**Device Type:** Wallplates

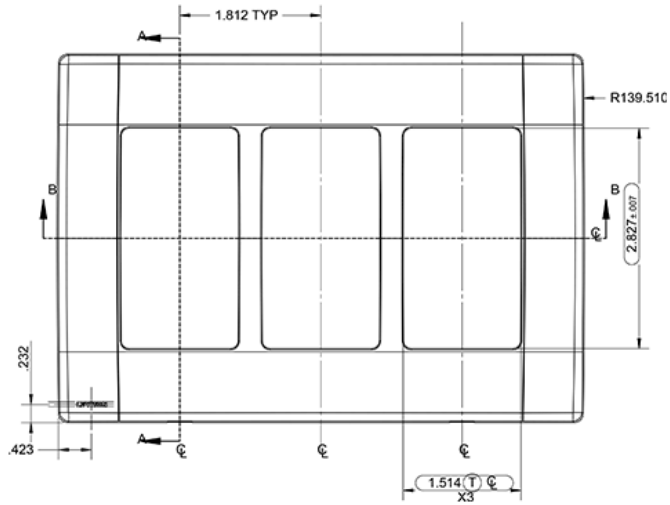
### Features and Benefits

- 3-Gang screwless, snap-on wallplate
- Available in 20 popular colors to match any décor
- Snaps directly onto Renu device (sold separately) for fast installation, no screws or subplate needed
- Slightly larger than standard wallplates to cover wall imperfections
- 1-, 2- and 4-gang also available
- Use only with Renu devices, with the following Decora exception--
- Renu adaptor ring REA00\* (sold separately) allows any Decora device to fit into a Renu wallplate. \*Adaptor ring available in White on White (Decora White), Navajo Sand (Decora Light Almond) and Onyx Black (Decora Black) only

### Patents\*

CA137294

\*This list is provided for patent marking purposes only. A good faith effort is made to maintain the accuracy and completeness of this list. No legal inference should be drawn from the omission of a patent from this list.



**SPECIFICATION SUBMITTAL**

|                      |  |                      |                      |
|----------------------|--|----------------------|----------------------|
| JOB NAME:            |  | CATALOG NUMBERS:     |                      |
| <input type="text"/> |  | <input type="text"/> | <input type="text"/> |
| JOB NUMBER:          |  | <input type="text"/> | <input type="text"/> |

**Leviton Manufacturing Co., Inc.**

201 North Service Road, Melville, NY 11747

Teléfono: +1-800-323-8920 · FAX: +1-800-832-9538 · Tech Line (8:30AM-7:30PM E.S.T. Monday-Friday): +1-800-824-3005

**Leviton Manufacturing of Canada, Ltd.**

165 Hymus Boulevard, Pointe Claire, Quebec H9R 1E9 · Telephone: +1-800-469-7890 ·

FAX: +1-800-824-3005 · [www.leviton.com/canada](http://www.leviton.com/canada)

**Leviton S. de R.L. de C.V.**

Lago Tana 43, Mexico DF, Mexico CP 11290 · Tel.: (+52)55-5082-1040 · FAX: (+52)5386-

1797 · [www.leviton.com.mx](http://www.leviton.com.mx)

Visit our Website at: [www.leviton.com](http://www.leviton.com)

© 2018 Leviton Manufacturing Co., Inc. Todos los derechos reservados. Subject to change without notice.

**Leviton has a global presence.**

If you would like to know where your local Leviton office is located please go to:

[www.leviton.com/international/contacts/](http://www.leviton.com/international/contacts/)

