

T5320-I

Item Description

15 Amp, 125 Volt, NEMA: 5-15R, Pole: 2, 3-Wire, Tamper-Resistant, Duplex Receptacle/Outlet, Straight Blade, Grounding, Quickwire Push-In & Side, Standards and Certifications: UL/CSA, Warranty: 2 Year Limited, Color: Ivory, NEC Compliant

Technical Information

Product Features

Amperage: 15 A

Blade Type: Straight Blade

Color: Ivory

Device Type: Duplex Receptacle Outlet

Feature: Tamper-Resistant

Grounding: Grounding

NEMA: 5-15R

Pole: 2

Standards and Certifications: UL/CSA

Termination: Quickwire Push-In & Side

Voltage: 125 VAC

Warranty: 2 Year Limited

Wire: 3



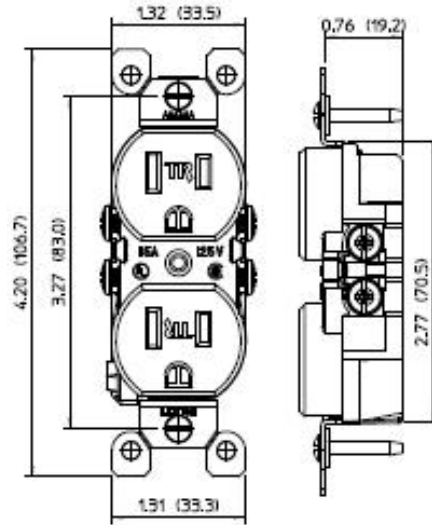
Color:  Ivory

UPC Code: 07847738191

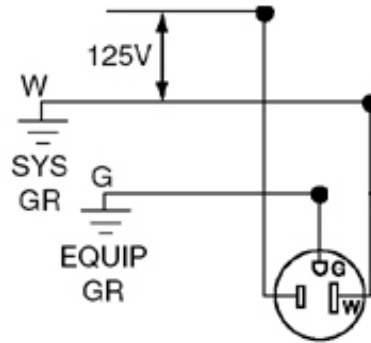
Country Of Origin: United States

NEMA:
5-15R





Wiring Diagram



5-15R

SPECIFICATION SUBMITTAL

| | | |
|----------------------|----------------------|----------------------|
| JOB NAME: | CATALOG NUMBERS: | |
| <input type="text"/> | <input type="text"/> | <input type="text"/> |
| JOB NUMBER: | <input type="text"/> | <input type="text"/> |

Leviton Manufacturing Co., Inc.

201 North Service Road, Melville, NY 11747

Teléfono: +1-800-323-8920 · FAX: +1-800-832-9538 · Tech Line (8:30AM-7:30PM E.S.T. Monday-Friday): +1-800-824-3005

Leviton Manufacturing of Canada, Ltd.

165 Hymus Boulevard, Pointe Claire, Quebec H9R 1E9 · Telephone: +1-800-469-7890 ·

FAX: +1-800-824-3005 · www.leviton.com/canada

Leviton S. de R.L. de C.V.

Lago Tana 43, Mexico DF, Mexico CP 11290 · Tel.: (+52)55-5082-1040 · FAX: (+52)5386-

1797 · www.leviton.com.mx

Visit our Website at: www.leviton.com

© 2018 Leviton Manufacturing Co., Inc. Todos los derechos reservados. Subject to change without notice.

Leviton has a global presence.

If you would like to know where your local Leviton office is located please go to:

www.leviton.com/international/contacts/

