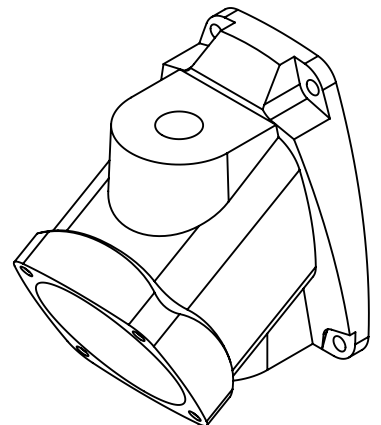
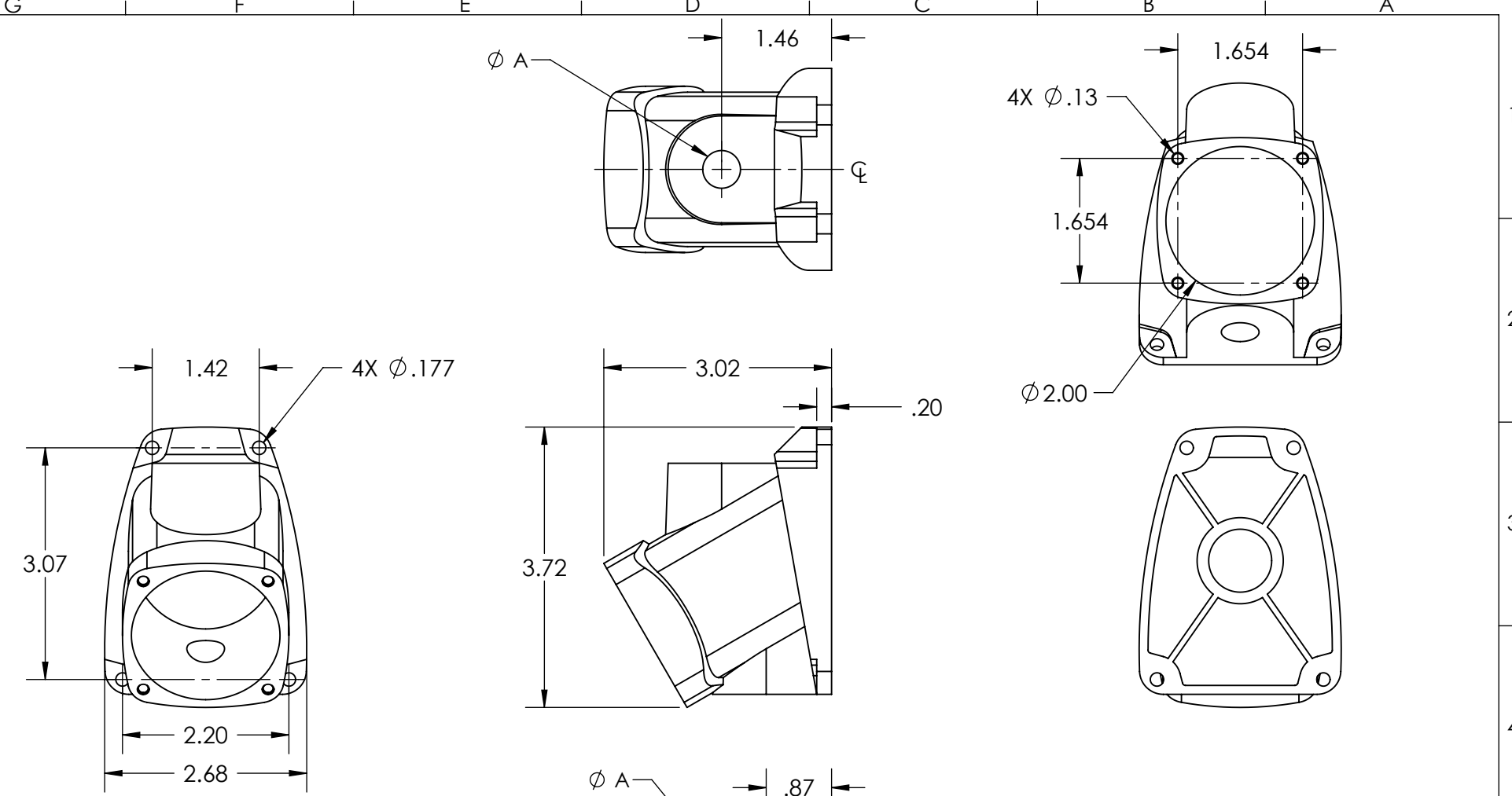


This drawing is the property of MELTRIC Corporation, Franklin (Milwaukee), Wisconsin, USA. Any unauthorized copying of this drawing by any means, ENG/RD/06 REV: 20 ISSUED DATE: 1/15/11 or disclosure of its contents to any person not authorized by MELTRIC Corporation or its agents to receive it, is strictly prohibited.



PART NUMBER	NPT "A"
61-1A023-12	1/2" NPT
61-1A023-34	3/4" NPT

INTERNAL VOLUME: 6.8 CUBIC INCHES.

TOLERANCES UNLESS OTHERWISE SPECIFIED				ENGLISH 0.X ±0.05 0.XX ±0.01 0.XXX ±0.005	
MACHINED SURFACES	$\sqrt{125} \text{ MAX}$				
GROUND SURFACES	$\sqrt{32} \text{ MAX}$	DATE:		SCALE	MATERIAL:
ANGLE TOLERANCE	±1°	SHEET:		NTS	BLUE POLY
REMOVE BURRS & SHARP EDGES TO .015 MAX.		1 OF 1		PART NUMBER	
DIMENSIONS SHOWN IN OVALS ARE INSPECTION DIMENSIONS.				61-1A023-xx	
				REVISION	